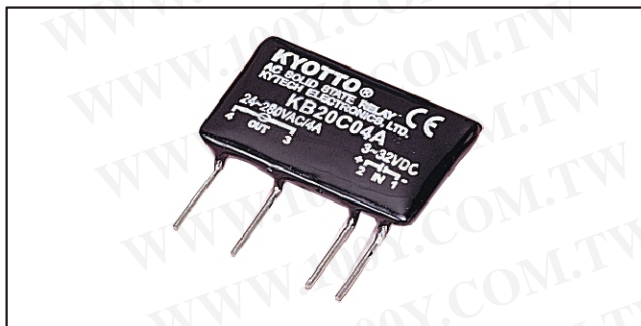


固態繼電器 SOLID STATE RELAY

KB20C02A
KB20C03A
KB20C04A
KB20C05A
KB20C06A

KB20CXXA SERIES

勝特力材料 886-3-5753170
勝特力电子(上海) 86-21-34970699
勝特力电子(深圳) 86-755-83298787
[Http://www.100y.com.tw](http://www.100y.com.tw)



型號索引說明 Model No. Descriptions:

KB 20 C 02 A

These two letters indicate SSR's series:
KA,KB,KD,KO,KS,KT : DC to AC TYPE

This letters indicate:
"A" = AC output,
"D" = DC output,

負載電壓
THE OUTPUT VOLTAGE:
20 = 240VDC / 280VAC

C = Zero Cross
R = Random Type.

負載電流
THE OUTPUT CURRENT:
02 = 2A , 04 = 4A

產品摘錄 PRODUCT SELECTON

輸出規格 OUTPUT SPECIFICATIONS

| 品名 | Description | KB20C02A | KB20C03A | KB20C04A | KB20C05A | KB20C06A |
|----------|--|------------|------------|------------|------------|------------|
| 負載電壓範圍 | Operating Voltage [VAC] | 24-280V AC | 24-280V AC | 24-280V AC | 24-280V AC | 24-280V AC |
| 破壞電壓 | Maximum Transient Overvoltage [Vpk] | 600 | 600 | 600 | 600 | 600 |
| 洩露電流 | Maximum Off-State Leakage Current @Rated Voltage [mA] | Less 3mA | Less 3mA | Less 3mA | Less 3mA | Less 3mA |
| 最大瞬間承受電流 | Maximum Surge Current [Adc] (10ms) | 20A | 30A | 40A | 50A | 60A |
| 動作壓降 | Maximum On-State Voltage Drop @ Rated Current [VACrms] | 1.5 | 1.5 | 1.5 | 1.5 | 1.5 |
| 瞬間電壓變化率 | Maximum Off-State dv/dt [V/μSEC] | 200 | 200 | 200 | 200 | 200 |

輸入規格 INPUT SPECIFICATIONS

| 品名 | Description | KB20C02A | KB20C03A | KB20C04A | KB20C05A | KB20C06A |
|--------|------------------------------|-------------------|-------------------|-------------------|-------------------|-------------------|
| 控制電壓範圍 | Control Voltage Range | 3-32V DC | 3-32V DC | 3-32V DC | 3-32V DC | 3-32V DC |
| 最小導通電壓 | Minimum Turn-on Voltage | 3.0 | 3.0 | 3.0 | 3.0 | 3.0 |
| 最小關斷電壓 | Minimum Turn-off Voltage | 1.0 | 1.0 | 1.0 | 1.0 | 1.0 |
| 輸入電流 | Typical Input Current | 15mA | 15mA | 15mA | 15mA | 15mA |
| 最大動作時間 | Maximum Turn-on Time [mSec] | Less 2m Sec | Less 2m Sec | Less 2m Sec | Less 2m Sec | Less 2m Sec |
| 最大關斷時間 | Maximum Turn-off Time [mSec] | Less 1/2A C cycle | Less 1/2A C cycle | Less 1/2A C cycle | Less 1/2A C cycle | Less 1/2A C cycle |

一般規格 GENERAL SPECIFICATIONS

| 品名 | Description | KB20C02A | KB20C03A | KB20C04A | KB20C05A | KB20C06A |
|--------------|--|---------------------|---------------------|---------------------|---------------------|---------------------|
| 輸入/輸出至外殼絕緣電壓 | Dielectric Strength, Input-Output Base (50/60Hz) | 2500 | 2500 | 2500 | 2500 | 2500 |
| 輸入/輸出絕緣電壓 | Dielectric Strength, Input-Output (50/60Hz) | - | - | - | - | - |
| 絕緣電阻 | Minimum Insulation Resistance | 10 ⁹ ohm | 10 ⁹ ohm | 10 ⁹ ohm | 10 ⁹ ohm | 10 ⁹ ohm |
| 輸入-輸出容抗 | Maximum Capacitance, Input-Output | Less 15pf | Less 15pf | Less 15pf | Less 15pf | Less 15pf |
| 工作溫度範圍 | Ambient Operating Temperature Range | -20°C~+80°C | -20°C~+80°C | -20°C~+80°C | -20°C~+80°C | -20°C~+80°C |
| 儲存溫度範圍 | Ambient Storage Temperature Range | -40°C~+100°C | -40°C~+100°C | -40°C~+100°C | -40°C~+100°C | -40°C~+100°C |
| 觸發方式 | Switching Type | Zero Cross | Zero Cross | Zero Cross | Zero Cross | Zero Cross |
| 重量 | Weight (g) | 12g | 12g | 12g | 12g | 12g |

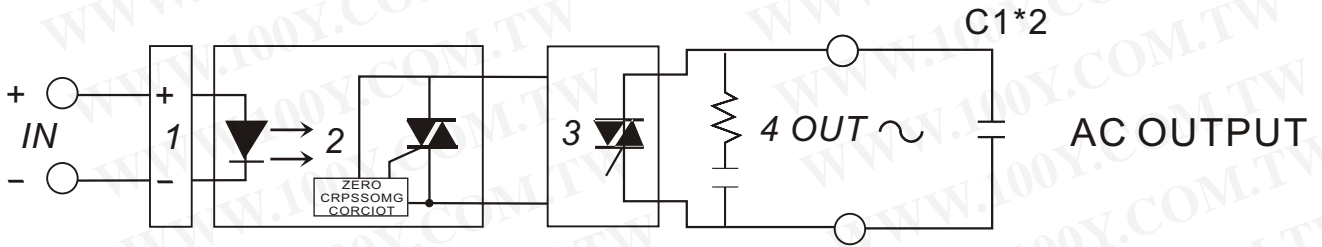
GENERAL NOTES

- (1) All parameters at 25°C unless otherwise specified
- (2) Dielectric strength and insulation resistance are measured between input and output
- (3) Heat sinking require, for derating curves see next page.

勝特力材料 886-3-5753170
勝特力电子(上海) 86-21-34970699
勝特力电子(深圳) 86-755-83298787
[Http://www.100y.com.tw](http://www.100y.com.tw)

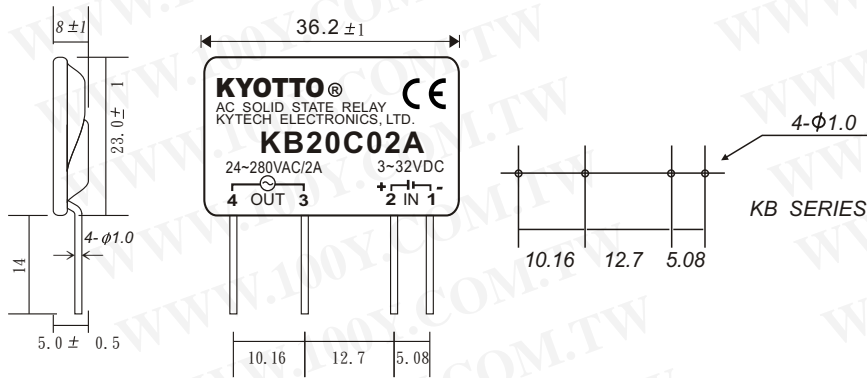
等效電路圖 EQUIVALENT CIRCUIT

勝特力材料 886-3-5753170
 勝特力电子(上海) 86-21-34970699
 勝特力电子(深圳) 86-755-83298787
[Http://www.100y.com.tw](http://www.100y.com.tw)



- 1.INPUT CIRCUIT
- 2.ZERO-CROSS CIRCUIT
- 3.OUTPUT CIRCUIT
- 4.PROTECTED CIRCUIT

外觀尺寸圖 MECHANICAL DIMENSIONS (Unit:mm)



特性曲線圖 CHARACTERISTIC CURVES

