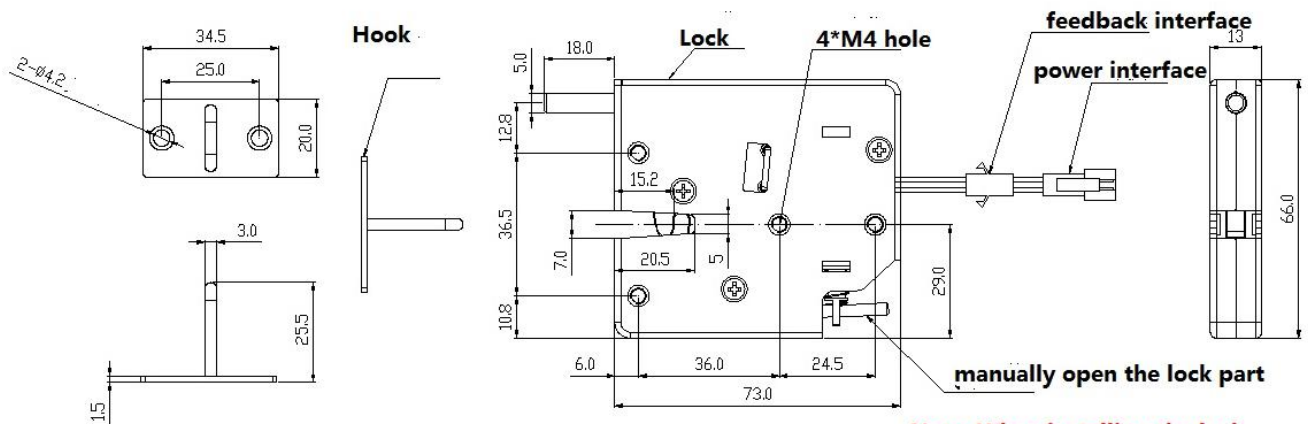
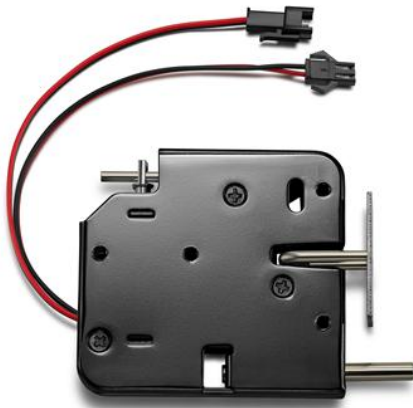


VE-P203A with latch and feedback Size :73*66*13 mm



Note: When installing the lock, manually open the lock part should be downward

Product characteristics and parameters:

1. Product material: The shell is made of steel sheet, and the internal parts are precision cast from carbon steel.
2. Working mode: Independent (open when power on, off when power off)
3. Electrical parameters: DC12V 2A/DC 24V 1A pull-in time cannot exceed 200ms;
4. Mechanical life: more than 500,000 times under the design load condition;
5. Electromagnet life: more than 1,000,000 times under rated working conditions;
6. Self-elastic design: The elastic force is adjustable, which is suitable for self-elasticity of doors with a weight of 0.5 ~ 4Kg.
7. Surface treatment: Electrophoretic paint (over 500 hours of neutral smoke test).
8. Security: The lock hook can withstand 150Kg tension without significant permanent deformation; it has shockproof and anti-prying performance
9. Ambient temperature: This product is suitable for high temperature +60 degrees, low temperature -40 degrees.
10. Installation: The product is small in size, easy to install, no left and right, positive and negative; and a mechanical emergency unlocking position is reserved;

Scope and place of application:

Applicable to: letter boxes, storage cabinets, logistics cabinets, file cabinets, meter boxes, lockers, vending machines, mobile phone cabinets, shoe cabinets, etc. Widely used in: schools, community logistics, hotels, factories, bathing centers, troops, banks, supermarkets, prisons and other places.