



Fremont Micro Devices

FT61EC2

Data Sheet

Key Features

8-bit EEPROM based RISC MCU
Program: 2k x 14; RAM: 128 x 8; Data: 256 x 8
6 / 8 / 10 / 14 / 16 Pins
True 10-bit ADC accuracy ADC
7 Timers, 4 Individual PWMs – 1 with Deadband
2 Comparators, 2 Regulator outputs
Low Standby, WDT and Operation Current
POR, LVR, LVD
High ESD, High EFT
Low V_{DD} Operation

Rev1.01

www.fremontmicro.com

8-bit CPU (EEPROM)

- 37 RISC instructions: 2T or 4T
- 16 MHz / 2T ($V_{DD} \geq 2.7$)
- Up to 16 pins

Memory

- PROGRAM: 2k x 14 bit (R/W Protect)
- DATA: 256 x 8 bit
- RAM: 128 x 8 bit
- 8-level Hardware Stack

Operation Conditions (5V, 25°C)

- V_{DD} ($V_{POR} \leq 2.0V$) $V_{POR} - 5.5 V$
(Self-regulated by POR, $\leq 1.7V$ for above 0°C)
- Operation Temperature Grade $-40 - +85$ °C
- Low Standby 0.8 μA
- WDT 3.2 μA
- Normal Mode (16 MHz) 207 $\mu A/mips$

High Reliability

- 100k cycles, >20 years / 85°C storage (typical)
- ESD > 4 kV, EFT > 5.5 kV

ADC (10-bit)

- True 10-bit Accuracy (≤ 1 MHz ADC clk)
- 7 + 1 Channels
- $V_{ADC-REF}$
 - ✓ Internal: 2.0, 3.0, V_{DD}
 - ✓ External: VREF pin
- Special event trigger and Interrupt

2 Comparators

- 16 level programmable voltage reference

2 Regulator outputs

- up to 32 stalls voltage

PWM (Total 5)

- Enhanced capture/Compare/PWM
 - ✓ PWM mode:
 - single PWM, half-bridge, full-bridge
 - ✓ 3 channels (up to 6 I/O):
 - Complementary + Deadband
 - ✓ One-Pulse mode
 - ✓ Same Period, Duty Cycle
 - ✓ Optional output polarity
- PWM (3 channels)

- ✓ Support RUN in SLEEP
- ✓ Independent: Period, Duty Cycle, Polarity
- ✓ Buzzer mode

Timers

- WDT (16-bit): 7-bit postscaler
- Timer0 (8-bit): 8-bit prescaler
- Timer1 (16-bit): 3-bit prescaler with Gate Control
- Timer2 (8-bit): 4-bit pre and post-scaler
- Timer3/4/5(12-bit): 7-bit prescaler and 8-bit postscaler
- Support RUN in SLEEP
- 1 or 2x { Instr. Clock, HIRC}, LP, T0CK, T1CK

I/O PORTS (Up to 14 I/O)

- Resistive Pull-Up / Pull-Down
- All I/O I_{SOURCE} : 22mA (5V, 25°C)
- All I/O I_{SINK} : 19mA (5V, 25°C)
- 8 I/O: Interrupt / Wake-Up

Power Management

- SLEEP
- LVR: 2.0, 2.2, 2.5, 2.8, 3.1, 3.6, 4.1 (V)
- LVD: 2.0, 2.4, 2.8, 3.0, 3.6, 4.0 (V)

System Clock (SysClk)

- ✓ HIRC High Speed Internal Oscillator
 - ✓ 16MHz $<\pm 1.5\%$ typical (2.5–5.5V, 25°C)
 - ✓ 1, 2, 4, 8, 16, 32, 64 divider
- LIRC Low Power Internal Oscillator
 - ✓ 32 kHz or 256 kHz
- External Clock (I/O input)
- Crystal Input (LP / XT)
 - ✓ HIRC or LIRC during startup
 - ✓ Fail Detect

Integrated Development Environment (IDE)

- On-Chip Debug (OCD), ISP
- 3 hardware breakpoints
- System-Reset, Stop, Single Step, Run

Packages

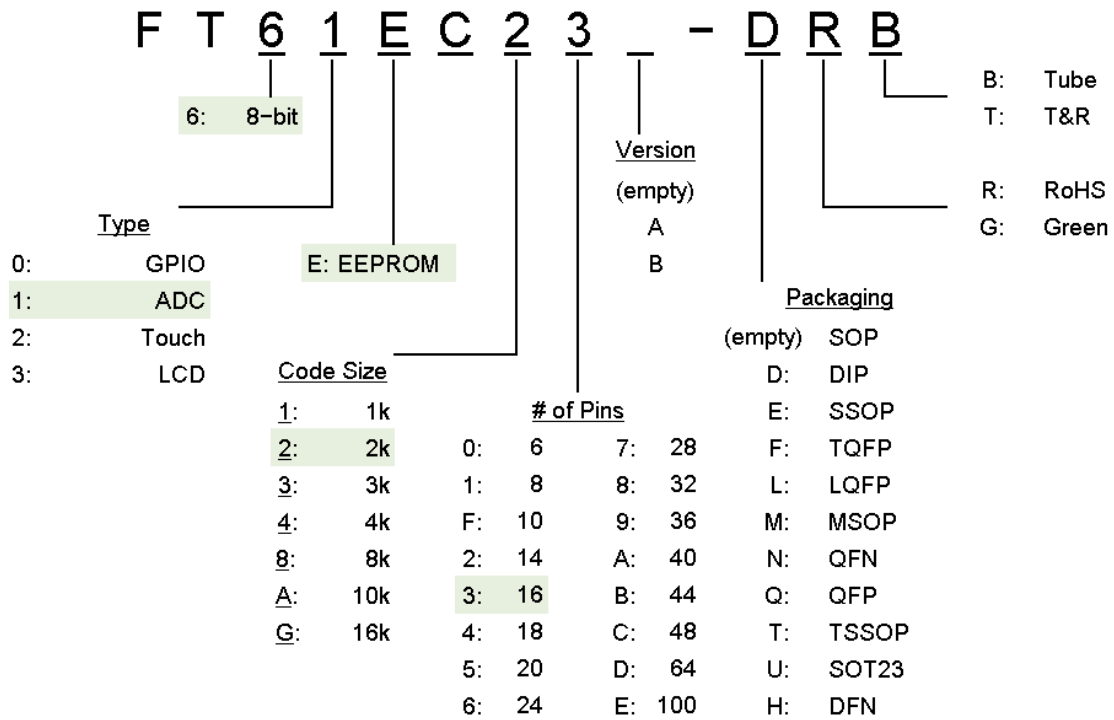
- SOT23-6 SOP8 DIP8 MSOP10
- SOP14 DIP14 SOP16 DIP16

PARTS INFORMATION AND SELECTIONS

Part #	# of I/O	Package
FT61EC20-U _{ab}	4	SOT23-6
FT61EC21A- <u>a</u> b	6	SOP8
FT61EC21A-D <u>a</u> b		DIP8
FT61EC21B- <u>a</u> b		SOP8
FT61EC21B-D <u>a</u> b		DIP8
FT61EC2F-M <u>a</u> b	8	MSOP-10
FT61EC22A- <u>a</u> b	12	SOP14
FT61EC22A-D <u>a</u> b		DIP14
FT61EC23- <u>a</u> b	14	SOP16
FT61EC23-D <u>a</u> b		DIP16

Where a = R; RoHS
 = G; Green

b = B; Tube
 = T; T&R



MCU Part # Selections

Revision History

Date	Revision	Description
2022-08-24	1.00	Preliminary version

Table of Contents

1. BLOCK DIAGRAM AND PINOUTS	8
1.1 Pinouts	9
1.2 Pin Description by Functions	10
2. I/O PORTS	12
2.1 Summary of I/O PORT Related Registers	14
2.2 Configuring the I/O	14
3. POWER-ON-RESET (POR)	16
3.1 BOOT Sequence	16
4. SYSTEM-RESET	18
4.1 Summary of SYSTEM-RESET Related Registers	19
4.2 Brown-Out Reset (LVR / BOR)	19
4.3 Illegal Instruction Reset	20
4.4 Watch Dog Timer, WDT Reset	20
4.5 External System-Reset /MCLR	20
4.6 Detecting the Type of Reset Last	21
5. LOW VOLTAGE DETECT / COMPARATOR (LVD)	22
5.1 Summary of LVD Related Registers	22
6. OSCILLATORS and SYSCLK	23
6.1 Summary of Oscillator Modules Related Registers	24
6.2 Internal Clock Modes (HIRC and LIRC)	26
6.3 External Clock Modes (EC / LP / XT)	27
6.3.1 EC mode	27
6.3.2 LP and XT modes	27
6.4 HIRC, LIRC and EC inter-switching	29
7. TIMERS and PWMx	30
7.1 Watch Dog Timer, WDT	31
7.1.1 Summary of WDT Related Registers	32
7.1.2 Setting up and using the WDT	33
7.1.3 Switching scaler between Timer0 and WDT	33
7.2 TIMER0	34
7.2.1 Summary of Timer0 Related Registers	35

7.3	TIMER1	36
7.3.1	Summary of Timer1 Related Registers	37
7.3.2	R/W operation of Timer1 register	38
7.3.3	Timer1 Gate.....	38
7.4	TIMER2	39
7.4.1	Summary of Timer2 Related Registers	40
7.5	TIMER3/4/5 and PWM3/4/5	41
7.5.1	Summary of Timer3/4/5b Related Registers.....	42
7.5.2	R/W operation of Timer3/4/5 register.....	44
7.5.3	PWMx Mode	44
8.	SLEEP (POWER-DOWN).....	46
8.1	Entering into SLEEP	46
8.2	Waking-Up from SLEEP	47
9.	INTERRUPTS	48
9.1	Summary of Interrupt Related Registers	50
9.2	PC1-INT and PORTA Interrupt-on-Change.....	52
10.	Enhanced Capture /Compare/PWM Module	53
10.1	Summary of ECCP Related Registers.....	53
10.2	Capture Mode	57
10.3	Compare Mode	58
10.4	PWM Enhanced Mode	59
10.4.1	Period	59
10.4.2	Duty Cycle	60
10.4.3	PWM Output.....	60
10.4.4	PWM Auto-Shutdown and Auto-Restart	65
10.4.5	PWM Auxiliary Function	67
10.4.6	PWM Configure Procedure	69
11.	DATA EEPROM.....	70
11.1	Summary of DATA EEPROM Related Registers	70
11.2	Writing DATA EEPROM.....	71
11.3	Reading DATA EEPROM	72
11.4	Auto-Erase Function	72

12. 10-bit ANALOG TO DIGITAL CONVERTER, ADC	73
12.1 Summary of ADC Related Registers	74
12.1 ADC Configurations	75
12.1.1 ADC triggering	76
12.1.2 Aborting an ADC	76
12.1.3 Interrupt	77
12.2 ADC Acquisition Time	77
12.3 ADC Minimum Sampling Time.....	77
12.4 Sample ADC Flow.....	78
13. COMPARATOR	80
13.1 Summary of Comparator Related Registers.....	80
13.2 Comparator Configuration.....	82
13.2.1 Comparator Interrupt.....	84
13.2.2 Comparator 2 Gating Timer1	84
14. VOLTAGE REGULATOR(VREG).....	85
14.1 Summary of Voltage Regulator Related Registers.....	85
15. MEMORY READ / PROGRAM PROTECTON	86
16. INSTRUCTION SET	87
17. SPECIAL FUNCTION REGISTERS, SFR.....	88
17.1 Boot Level Registers.....	88
17.2 Instruction Set Registers.....	90
17.3 STATUS Register.....	94
17.4 PCL and PCLATH.....	95
18. ELECTRICAL SPECIFICATIONS.....	96
18.1 Absolute Maximum Ratings	96
18.2 Operation Characteristics	96
18.3 POR, LVR, LVD	97
18.4 I/O PORTS	98
18.5 Operation Current (I_{DD})	98
18.6 Internal Oscillators	99
18.7 ADC (10 bit) and ADC VREF	99
18.8 Comparator	101

18.9	4bit DAC (Reference voltage configuration)	101
18.10	Voltage Regulator Output Circuit	101
18.11	Program and Data EEPROM	102
18.12	EMC characteristics	102
19.	Characterization Graphs	103
20.	PACKAGING INFORMATION	106
	Contact Information	114

1. BLOCK DIAGRAM AND PINOUTS

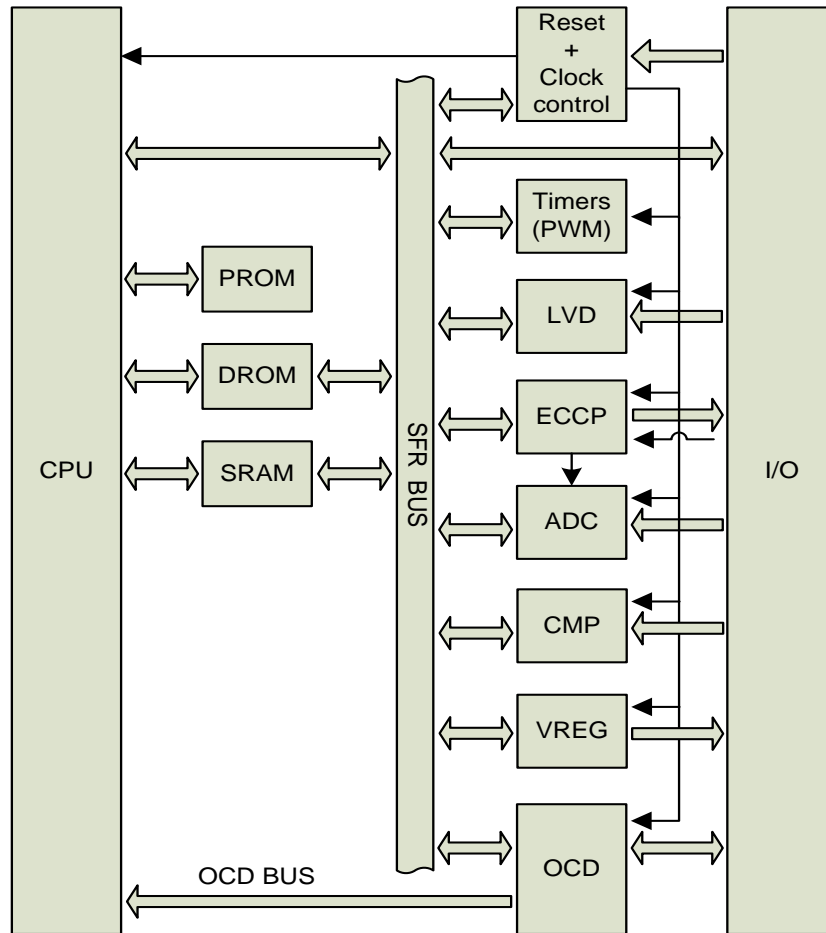


Figure 1-1 System block diagram

The list of standard abbreviation is as follows:

Abbreviation	Description
CPU	Central Processing Unit
SFR	Special Function Registers
SRAM	Static Random Access Memory
DROM	Data EEPROM
PROM	Program EEPROM
Timers	WDT, Timer0, Timer1, Timer2, Timer3, Timer4, Timer5
PWM	Pulse Width Modulator
ECCP	Enhanced Capture Compare and PWM
ADC	Analog to Digital Converter
CMP	Comparator
VREG	Voltage Regulator
LVD	Low Voltage Detect
OCD	On Chip Debug
I/O	Input / Output

1.1 Pinouts

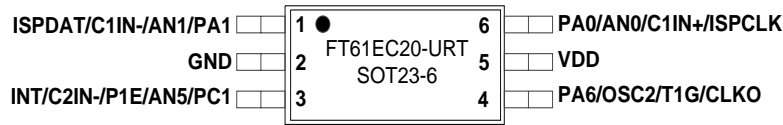


Figure 1-2 SOT23-6

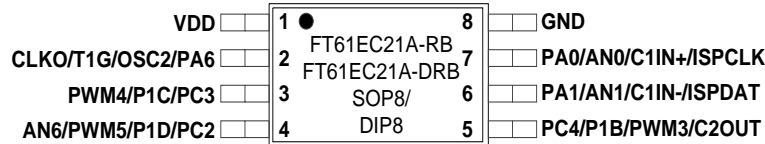


Figure 1-3 SOP8 / DIP8 (A)

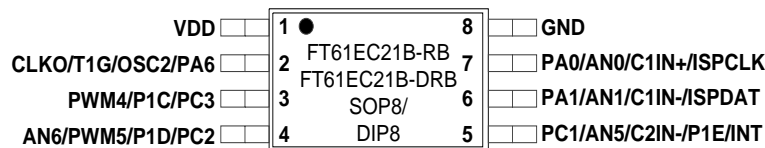


Figure 1-4 SOP8 / DIP8 (B)



Figure 1-5 MSOP10

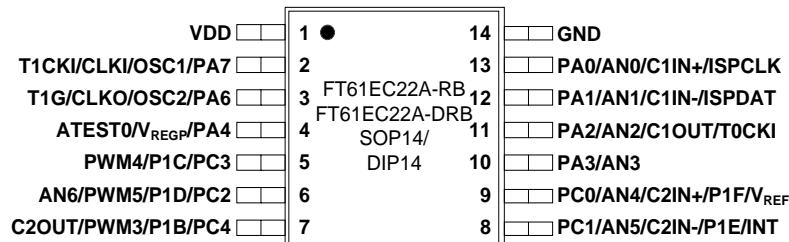


Figure 1-6 SOP14 / DIP14

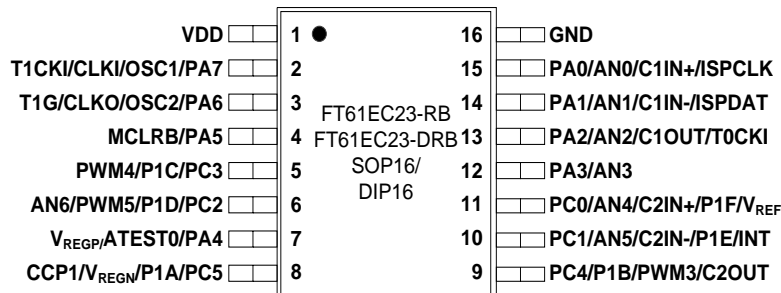


Figure 1-7 SOP16 / DIP16

1.2 Pin Description by Functions

Function	Description	Pin Name	GPIO equiv.	6 pins	8(A) pins	8(B) pins	10 pins	14 pins	16 pins	
Power		VDD		5	1	1	1	1	1	
		GND		2	8	8	10	14	16	
GPIO	Pull-Up / Pull-Down, Digital Input, Digital Output	PC5							8	
		PC4			5		6	7	9	
		PC3				3	3	4	5	5
		PC2				4	4	5	6	6
		PC1			3		5		8	10
		PC0							9	11
		PA7						2	2	2
		PA6			4	2	2	3	3	3
		PA5								4
		PA4							4	7
		PA3							10	12
		PA2						7	11	13
		PA1			1	6	6	8	12	14
		PA0			6	7	7	9	13	15
Clock	Output	CLKO	PA6	4	2	2	3	3	3	
	Timer0 Clock	T0CKI	PA2				7	11	13	
	Timer1 Clock	T1CKI	PA7				2	2	2	
	OSC +	OSC1	PA7				2	2	2	
	OSC -	OSC2	PA6	4	2	2	3	3	3	
Timer1 Gate input		T1G	PA6	4	2	2	3	3	3	
ISP Debugger	ISP-Data	ISPDAT	PA1	1	6	6	8	12	14	
	ISP-CLK	ISPCLK	PA0	6	7	7	9	13	15	
Reset	Pull-up	/MCLR	PA5						4	
PC1-INT Edge		INT	PC1	3		5		8	10	
PORTA Logic-Changes Interrupt	Input	PA7					2	2	2	
		PA6		4	2	2	3	3	3	
		PA5							4	
		PA4						4	7	
		PA3						10	12	
		PA2					7	11	13	
		PA1		1	6	6	8	12	14	
PA0			7	7	9	13	15			

Function	Description	Pin Name	GPIO equiv.	6 pins	8(A) pins	8(B) pins	10 pins	14 pins	16 pins	
Voltage Regulator	High voltage output	V _{REGP}	PA4					4	7	
	Low voltage output	V _{REGN}	PC5						8	
ADC	Input	AN6	PC2		4	4	5	6	6	
		AN5	PC1	3		5		8	10	
		AN4	PC0					9	11	
		AN3	PA3					10	12	
		AN2	PA2				7	11	13	
		AN1	PA1	1	6	6	8	12	14	
	AN0	PA0	6	7	7	9	13	15		
	V _{REF+}	VREF	PC0					9	11	
Comparator1	Positive Input	C1IN+	PA0	6	7	7	9	13	15	
	Inverting Input	C1IN-	PA1	1	6	6	8	12	14	
	Output	C1OUT	PA2				7	11	13	
Comparator2	Positive Input	C2IN+	PC0					9	11	
	Inverting Input	C2IN-	PC1	3		5		8	10	
	Output	C2OUT	PC4		5		6	7	9	
Enhanced Capture/Compare/PWM (ECCP)	Capture/Compare	CCP1	PC5						8	
	PWM	P1A	PC5							8
		P1B	PC4		5		6	7	9	
		P1C	PC3		3	3	4	5	5	
		P1D	PC2		4	4	5	6	6	
		P1E	PC1	3		5		8	10	
		P1F	PC0					9	11	
PWM3		PWM3	PC4		5		6	7	9	
PWM4		PWM4	PC3		3	3	4	5	5	
PWM5		PWM5	PC2		4	4	5	6	6	

Table 1-1 Pin description by functions

2. I/O PORTS

Up to 14 I/O pins are available depending on the types of package. I/O ports are divided into 2 groups: PORTA (8) and PORTC (6) [Table 2-5](#) lists the functions of all I/O pins.

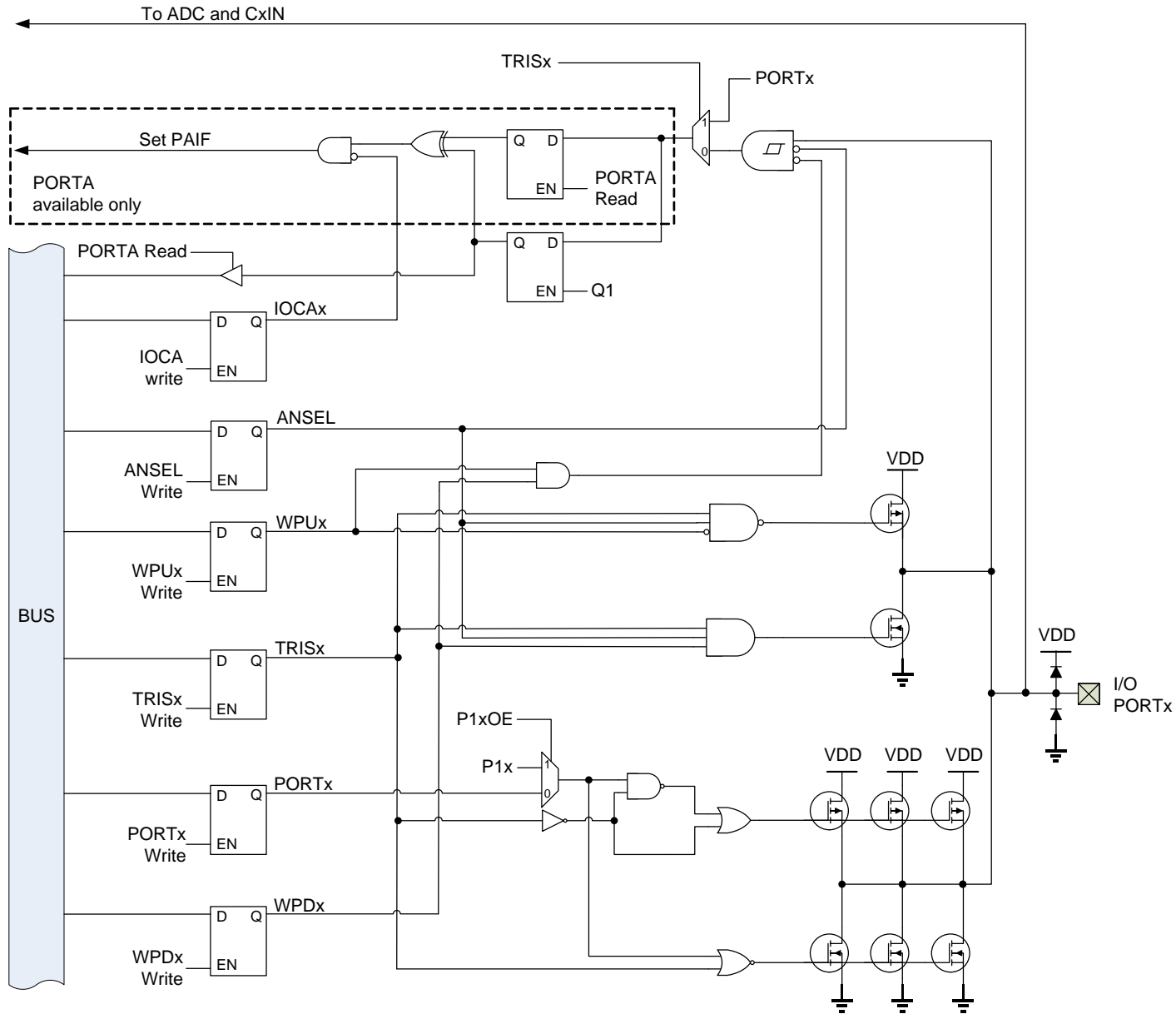


Figure 2-1 PORT block diagram

All I/O pins have the following functions ([Table 2-3](#), [Table 2-4](#)):

- Digital Output
- Digital Input
- Weak Pull-Up
- Weak Pull-Down (PA4, PC1, PC2, PC3)

In addition some I/O's have special functions assigned.

- a. Debugger pins (ISP-Data, ISP-CLK) are hardwired and require no set-up.
- b. Some special functions are configured at the IDE and loaded during BOOT ([Table 2-2](#)):
 - External Clock (OSC1, OSC2)
 - Internal Clock OUT
 - System-Reset (/MCLR_B)
- c. All other functions are Instruction Level assigned to the various I/O's. They are divided into 3 categories:
 - a. Digital Output
 - PWM3/4/5
 - Enhanced PWM
 - ECCP output
 - Comparator output CxOUT
 - b. Digital Input
 - Timer0 Clock Input
 - Timer1 Clock Input
 - Timer1 Clock Input
 - ECCP capture input
 - External Edge Interrupt (INT)
 - GPIO Interrupt-on-Change
 - c. Analog Input
 - LVD / BOR
 - ADC
 - V_{REF}
 - Comparator input CxIN+ / CxIN-
 - d. Analog Output
 - Voltage Regulator output (V_{REG})

Name	ISP Debugger	CLK	ADC	Voltage Regulator or	Comparator or	Interrupt	ECCP / PWM	Digital I/O Pull-Up/Down Open Drain	Source Current (mA)	Sink Current (mA)
PA0	CLK		AN0		C1IN+	√		√ / --	22	19
PA1	DATA		AN1		C1IN-	√		√ / --	22	19
PA2		T0CKI	AN2		C1OUT	√		√ / --	22	19
PA3			AN3			√		√ / --	22	19
PA4				V _{REGP}		√		√ / √	22	19
PA5						√ + /MCLR _B		√ / --	22	19
PA6		output /OSC-				√		√ / --	22	19
PA7		T1CKI /OSC+				√		√ / --	22	19
PC0			AN4		C2IN+		P1F	√ / --	22	19
PC1			AN5		C2IN-	INT	P1E	√ / √	22	19
PC2			AN6				PWM5 / P1D	√ / √	22	19
PC3							PWM4 / P1C	√ / √	22	19
PC4					C2OUT		PWM3 / P1B	√ / --	22	19
PC5				V _{REGN}			CCP1 / P1A	√ / --	22	19
Notes		T1G=PA6	V _{REF} =PC0						V _{DD} =5, V _{DS} =0.5	

Table 2-1 I/O PORT Functions

2.1 Summary of I/O PORT Related Registers

Name	Function	Default
RDCTRL	<u>READ register when TRISx = 0 (Output enabled)</u> <ul style="list-style-type: none"> Input latch Output latch 	Output
MCLRE	Reset by External I/O	disabled
FOSC	<ul style="list-style-type: none"> LP external oscillator across PA7 (+) and PA6 (-) XT external oscillator across PA7 (+) and PA6 (-) EC external oscillator at PA7 (+), PA6 as I/O INTOSC mode: PA6 output "Instruction Clock", PA7 as I/O INTOSCIO mode: PA7 and PA6 as I/O 	INTOSCIO

Table 2-2 BOOT Level I/O related configurations

Name	Address	bit 7	bit 6	bit 5	bit 4	bit 3	bit 2	bit 1	bit 0	Reset Value
ANSEL	0x91	ANSEL [7:0]								1111 1111
TRISA	0x85	TRISA[7:0], PORTA Direction								1111 1111
TRISC	0x87	-	-	PORTC Direction						--11 1111
PORTA	0x05	PORTA Output Register								xxxx xxxx
PORTC	0x07	-	-	PORTC Output Register						--xx xxxx
WPUA	0x95	PORTA Weak Pull-Up								1111 1111
WPUC	0x88	-	-	PORTC Weak Pull-Up						--00 0000
WPD	0x89	-	-	-	WPDA4	WPDC1	WPDC2	WPDC3	-	---0 000-
IOCA	0x96	IOCA[7:0]: PORTA Interrupt-on-Change								0000 0000
OPTION	0x81	/PAPU	INTEDG	T0CS	T0SE	PSA	PS2	PS1	PS0	1111 1111

Table 2-3 Addresses and Reset Values of I/O related registers

Name	Status	Register	Addr.	Reset	
TRISA	PORTA	<u>PORT Digital Output (Direction)</u>	TRISA[7:0]	0x85	RW-1111 1111
TRISC	PORTC	1 = <u>Disables</u> 0 = Enables (Disables Pull-Up/Down)	TRISC[5:0]	0x87	RW-11 1111
ANSEL	1 = Disables Pull-Up / Pull-Down, Digital Input (8 ADC ports only) 0 = (no action)		ANSEL[7:0]	0x91	RW-1111 1111
/PAPU	1 = <u>Disables all PORTA Pull-Up</u> 0 = WPUA settings apply		OPTION[7]	0x81	RW-1
WPUA	PORTA	<u>Weak Pull-Up</u>	WPUA[7:0]	0x95	RW-1111 1111
WPUC	PORTC	1 = Enables (PORTA defaults) 0 = Disables (PORTC defaults)	WPUC[5:0]	0x88	RW-00 0000
WPDA4	PORTA	<u>Weak Pull-Down</u>	WPD[4]	0x89	RW-0
WPDC	PORTC	1 = Enables 0 = <u>Disables</u>	WPD[3:1]		RW-000
PORTA	PORTA	Data Out Register	PORTA[7:0]	0x05	RW-xxxx xxxx
PORTC	PORTC		PORTC[5:0]	0x07	RW-xx xxxx

Table 2-4 Instruction Level I/O related registers

2.2 Configuring the I/O

For each PORT, configures the following four modules according to their functions ([Table 2-5](#))

- Weak Pull-Up
- Weak Pull-Down (PA4, PC1, PC2, PC3)
- Digital Input
- Digital Output

Functions	Digital Input	Pull-Up / Pull-Down	Digital Output	Settings
ISP-DATA	On	Off	On	(hardwired, instructions ignored)
ISP-CLK	On	Off	Off	(hardwired, instructions ignored)
/MCLRB	On	Pull-Up	Off	(BOOT set, instructions ignored)
CLOCK OUT	(don't care)	Off	On	(BOOT set, instructions ignored)
OSC+ (EC)	On	(optional)	Off	(BOOT set, instructions ignored)
OSC+ / OSC- (LP, XT)	Off	Off	Off	(BOOT set, instructions ignored)
ADC	Off	Off	Off	TRISx = 1; ANSELx = 1
V _{REF}	Off	Off	Off	TRISx = 1; ANSELx = 1
Comparator input	Off	Off	Off	TRISx = 1; ANSELx = 1
Comparator output	On	Off	On	TRISx = 0
Timer0 Clock	On	(optional)	Off	TRISx = 1
Timer1 Clock	On	(optional)	Off	TRISx = 1
Timer1 Gate	On	(optional)	Off	TRISx = 1
Timer3/4/5 Clock	On	(optional)	Off	TRISx = 1
Interrupt-on-Change	On	(optional)	Off	TRISx = 1
PC1-INT	On	(optional)	Off	TRISx = 1
Digital input	On	(optional)	Off	TRISx = 1
PWM	On	Off	On	TRISx = 0
ECCP capture	On	(optional)	Off	TRISx = 1
ECCP compare/PWM	On	Off	On	TRISx = 0
Voltage regulator	(don't care)	Off	Off	VREG_OE = 1
Digital Output	On	Off	On	TRISx = 0

Table 2-5 Instruction Level I/O Configuration Flags and Registers

Notes:

1. TRISx = 0: "Digital Output" enabled, "Pull-Up / Pull-Down" disabled (WPDx, WPUx ignored).
2. TRISx = 1: "Digital Output" disabled.
3. ANSELx = 1: "Pull-Up", "Pull-Down", "Digital Input" disabled (WPDx and WPUx ignored).
4. Only way to turn off "Digital Input" by instructions is "ANSELx = 1".
5. "/PAPU = 1" disables "Weak Pull-Up" for all PAX. There are no equivalent bits for PCx.
6. /MCLR enabled: PA5's Weak Pull-Up enabled (WPUA[5] ignored); PORTA[5] read "0".
7. Writing the PORTx Data Out registers will output the logic level to the corresponding I/O. Write operations are 'Read-Modify-Write' operations, meaning PORTx latch (output or input) are read first, then modified and written back, as up to 8 I/O share the same register.
8. Digital Output and Digital Input can be inclusive. Some applications need both enabled simultaneously.
9. The IDE can globally choose which PORT latch (output or input) to READ when TRISx = 0.
10. In Full-Reset or System-Reset PORTx will not reset, but TRISx will reset to "1", disabling output.
11. Weak Pull-Up enabled, Weak Pull-Down disabled when they are opened simultaneously.

See [Section 9](#) "Interrupts" for setting up PC1-INT and PORTA Interrupt-on-Change.

3. POWER-ON-RESET (POR)

During Power-On, V_{DD} increases from below the Power-On-Reset Voltage (V_{POR}) to above it. V_{DD} may not have completely discharged to 0V when the CPU is Power-On again.

1. The CPU is in a Full-Reset state when V_{DD} is below V_{POR} .
 - a. All Calibrated Data registers are not reset. Special Function Registers (SFR) are in Reset, except TMR0, PORTx, Z, HC, C, FSR, INDF, ADRESL, ADRESH, TMRxL, TMRxH, CCPR1L, CCPR1H and SRAM (see [Section 17](#) Special Function Registers). Registers not reset, such as SRAM, will hold their values until V_{DD} drops below 0.6V (typical). Data of those registers with V_{DD} below 0.6V are undetermined.
 - b. Program Counter = 0x00, Instruction Register = "NOP", Stack Pointer = "TOS" (Top of Stack).
2. BOOT commences when V_{DD} raises above V_{POR} .
3. Instruction execution begins with Program Counter = 0x00 after BOOT completion.

V_{POR} is ~1.6V at 25°C (typical), increasing to ~1.9V at -40°C. For $V_{DD} \geq V_{POR}$, the CPU can function at a reduced speed of 8 MHz / 2T. POR alone can safeguard against a low V_{DD} failure, giving a self-regulated wider V_{DD} operating range with temperature. This is important for battery-powered system as the CPU can function down even to ~1.6V at typical battery operating environments, greatly extending useful battery life.

Notes:

1. V_{POR} is not configurable.
2. The POR circuit is always on and will perform a Power-On-Reset any time V_{DD} voltage is below V_{POR} , not just during Power-On.

3.1 BOOT Sequence

Name	Functions	default
PWRTEB	Additional ~64ms delay after BOOT load	disabled
CSUMENB	Array Checksum test	disabled

Table 3-1 BOOT configurations

There are 2 BOOT configurations. Their values are set at the IDE, not by instructions. during BOOT:

1. CPU Idles for ~4ms.
2. The BOOT Level registers are loaded from the non-volatile memory. It takes ~24us. These registers are pre-set at the IDE and not affected by instructions.
3. If Power-On-Timer (PWRT) is enabled, the CPU will idle for ~64ms.
4. If the Checksum (CSUM) is enable, it will do a Checksum of the whole program array.
 - a. If Checksum fail, it will BOOT again, starting with the ~4ms idle time.
 - b. If Checksum pass, instructions execution will begin as long as there are no other Reset conditions.

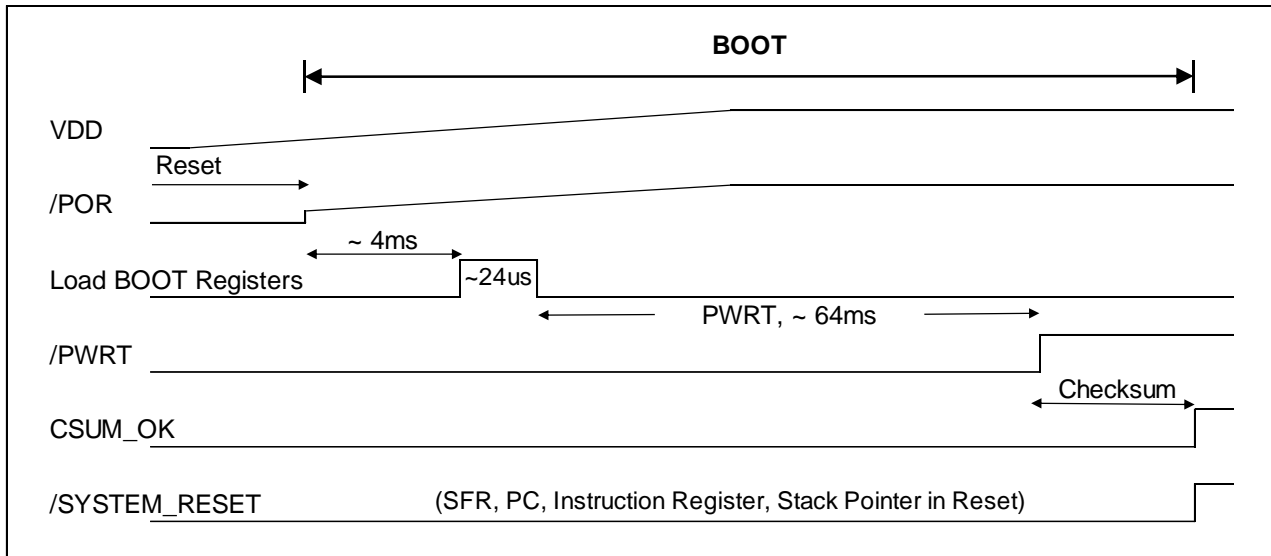


Figure 3-1 Power-On Sequence with PWRT and Checksum enabled

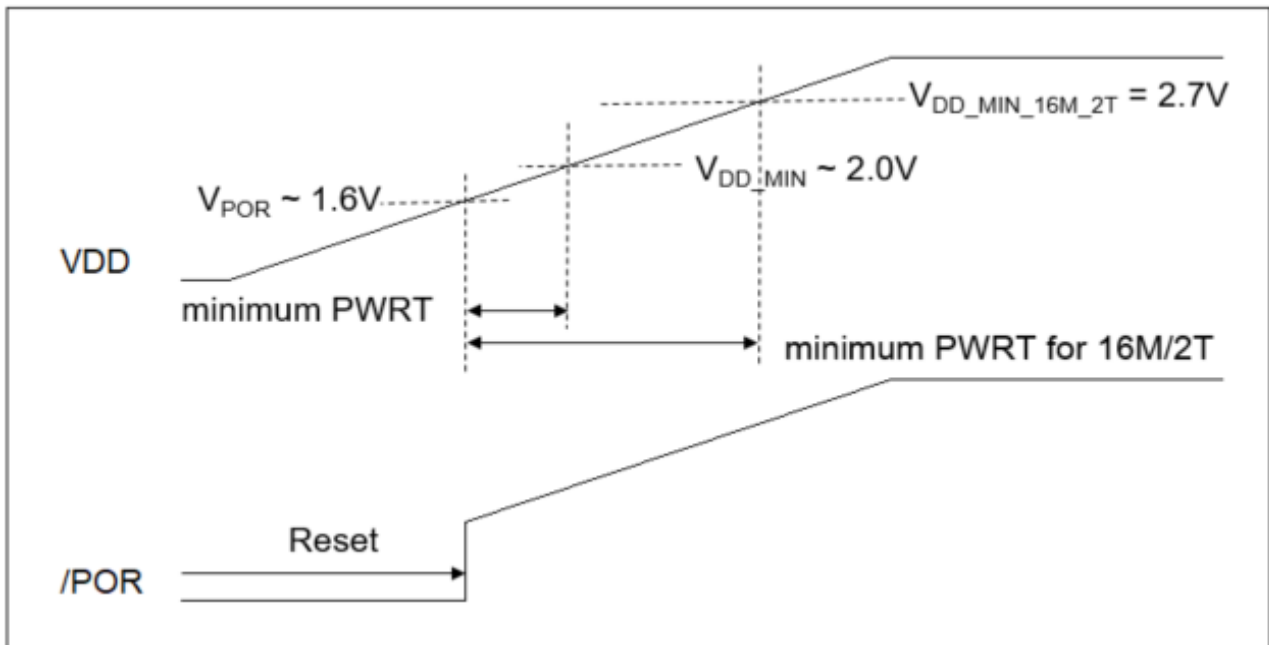


Figure 3-2 Minimum required PWRT during Power-On

V_{DD} must be higher than 2.5V by the end of BOOT if the CPU is to run at 16MHz / 2T. The total BOOT time can increase from ~4ms to ~68ms by enabling the PWRT, giving more time for the power system to stabilize.

Enables LVR with $V_{BOR} \geq 2.5V$ for operation at 16MHz / 2T. LVR can be set to instruction controlled to monitor V_{DD} sporadically, instead of always on (see “LVREN”, “SLVREN”) to reduce power consumption.

Notes:

1. V_{DD} should not rise too slowly. $C_{VDD} \geq 22 \mu F$ is discouraged.
2. V_{DD} capacitor of 1 to 10 μF is preferred. $C_{VDD} < 1\mu F$ capacitor may be too small for EFT considerations.
3. If a delay in startup is acceptable, enables PWRT and CSUM to improve CPU stability.

4. SYSTEM-RESET

System-Reset differs from POR in that it is not a Full-Reset. Depending on the trigger type and configurations, CPU may or may not BOOT. BOOT will wait ~4ms, reload the BOOT registers, and further delay system start by ~64ms if PWRT is enabled. In a System-Reset

- Registers reset in POR are reset, except BOOT registers.
- Program Counter = 0x00, Instruction Register = "NOP", Stack Pointer = "TOS" (Top of Stack).

The following 4 events besides debugger OCD can be configured to trigger a System-Reset:

1. Brown-Out (LVR / BOR) – always BOOT.
2. Illegal Instructions – BOOT if "IRBTE" is set.
3. Watch-Dog Timer (WDT) – BOOT if CPU not in SLEEP.
4. External I/O (/MCLR) – BOOT if "MRBTE" is set.

Note: If a longer system restart time is acceptable, enable BOOT will improve system stability.

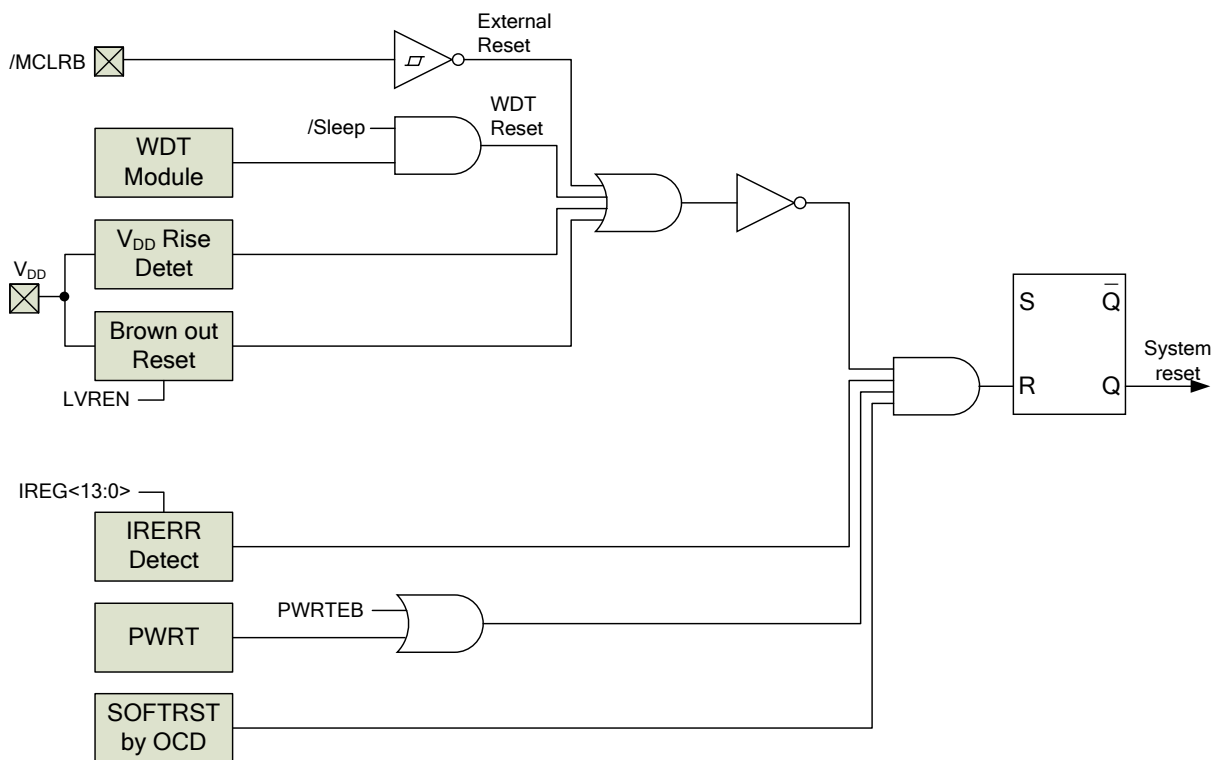


Figure 4-1 Reset circuit block diagram

4.1 Summary of SYSTEM-RESET Related Registers

Most settings for System-Reset are configured at the IDE, and cannot be changed by instructions.

Name	Functions	default
LVRS	<u>7 V_{BOR} Voltage levels (V):</u> 2.0 / 2.2 / 2.5 / 2.8 / 3.1 / 3.6 / 4.1	2.0
LVREN	<u>LVR</u> <ul style="list-style-type: none"> • Enabled • Disabled • Enabled except in SLEEP • Instruction controlled (SLVREN) 	disabled
WDTE	<u>WDT</u> <ul style="list-style-type: none"> • Enabled (overrides instructions disable) • Instruction controls (SWDTEN) 	SWDTEN control
MCLRE	Reset by External I/O	disabled

Table 4-1 BOOT Level RESET related configurations

4.2 Brown-Out Reset (LVR / BOR)

Brown-Out occurs when V_{DD} falls below a pre-configured Brown-Out Voltage (V_{BOR}) for a time longer than T_{BOR}. T_{BOR} takes 3 to 4 LIRC clock cycles (~94 – 125µs, LIRC will turn on automatically if not already). CPU System-Reset as long as V_{DD} ≤ V_{BOR}. Once V_{DD} > V_{BOR} CPU will BOOT.

While V_{POR} is fixed, V_{BOR} can be set to 2.0, 2.2, 2.5, 2.8, 3.1, 3.6, 4.1V (see “LVRS” in [Table 4-1](#)).

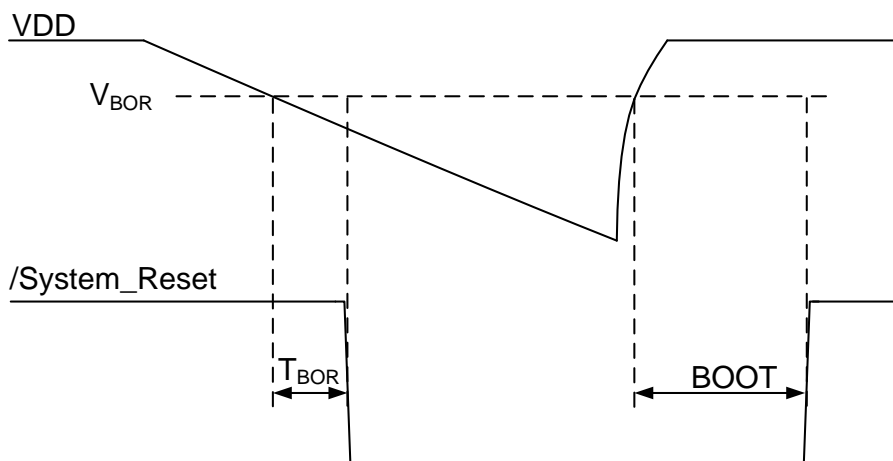


Figure 4-2 LVR BOOT Timing Diagram

LVR function can have four different settings configured by BOOT (see “LVREN” in [Table 4-1](#)).

1. LVR enabled.
2. LVR disabled.
3. LVR enabled, except in SLEEP.

4. Let instructions enable or disable LVR (SLVREN, see [Table 4-2 Instruction Level LVR registers](#))

Note: SLVREN can be cleared by any system reset except BOR

5.).

Note: LVR can be instructions disabled in SLEEP to reduce power consumption. The CPU should wake up and enable LVR periodically to monitor V_{DD} if system V_{DD} is unstable.

Name	Status	Register	Addr.	Reset
SLVREN	Applies only when LVREN cedes control to SLVREN 1 = Enables LVR 0 = Disables LVR	MSCKCON[4]	0x1B	RW-0

Table 4-2 Instruction Level LVR registers

Note: SLVREN can be cleared by any system reset except BOR

4.3 Illegal Instruction Reset

There are many reasons a CPU fetches an instruction incorrectly, with interference and V_{DD} instability the most common. When such an event occurs System-Reset and/or BOOT.

4.4 Watch Dog Timer, WDT Reset

WDT overflows during SLEEP will result in a Wake-Up.

WDT overflows not during SLEEP will trigger a System-Reset. The IDE preset if a BOOT follows (see “WDTE” in [Table 4-1](#)). This can reset a hanged CPU. Clear WDT from time to time in the program to avoid false reset.

For details on WDT operation and setting see [Section 7.1](#) Watch Dog Timer (WDT).

4.5 External System-Reset /MCLR

The CPU can be reset by a low voltage applied to the /MCLR (PA5) pin if so configured by BOOT. The /MCLR pin is usually soft pullup to V_{DD} with a resistor instead of directly, as shown in [Figure 4-3](#). The external RC network also provides glitches filtering and over-current protection.

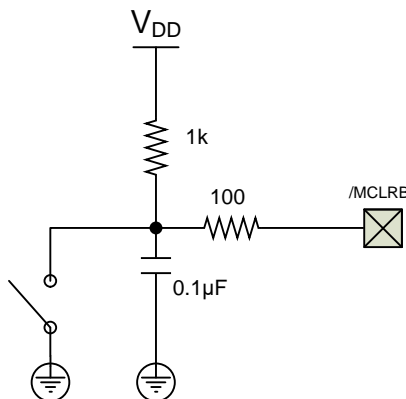


Figure 4-3 /MCLR reset circuit

4.6 Detecting the Type of Reset Last

Four status flags /POR, /BOR, Time Out (/TF), Power Down (/PF) together can trace the type of last System-Reset, except between “/MCLR System-Reset during normal operation” and “Illegal Instruction Reset”. Use instructions to set the flags to “1”. In a Reset, the corresponding flag(s) latches to “0”.

Reset Source	/POR	/BOR	/TF	/PF
	PCON[1]	PCON[0]	STATUS[4]	STATUS[3]
	0x8E		0x03, 0x83, 0x103, 0x183	
POR	0	(unknown)	1	1
LVR	-	0	1	1
WDT overflows while not in SLEEP (Reset)	-	-	0	-
WDT overflows while in SLEEP (Resume)	-	-	0	0
/MCLR Reset during SLEEP	-	-	1	0
/MCLR Reset during normal operation	-	-	-	-
Illegal Instruction	-	-	-	-
On-Chip Debugger (OCD)	-	-	-	-

Table 4-3 Reset Related Status Flags (“-“ no change)

5. LOW VOLTAGE DETECT / COMPARATOR (LVD)

LVD works similarly to a LVR except for the followings:

- None of the control and setting parameters are set by BOOT. They are set by instructions.
- It will write LVDW instead of /BOR.
- The input to the LVD module can be configured to V_{DD} . The latter allows the LVD to function as a single input comparator to one of the six LVDL levels.
- Debouncing Time (T_{LVD}) is much shorter than T_{BOR} at 3 – 4 HIRC cycles (~94 – 125 μ s, LIRC turns on automatically if not already so).

5.1 Summary of LVD Related Registers

Name	Status	Register	Addr.	Reset
LV DEN	<u>LVD</u> 1 = Enables 0 = <u>Disables</u>	PCON[3]	0x8E	RW-0
LV DL	<u>V_{LVD-REF}</u> 000 = <u>Reserved</u> 001 = Reserved 010 = 2.0 011 = 2.4 100 = 2.8 101 = 3.0 110 = 3.6 111 = 4.0	PCON[6:4]		RW-000
LV DW	<u>LVD triggered?</u> 1 = Yes (no latch) 0 = No	PCON[2]		RO-x

Table 5-1 Instruction Level LVD Settings and Flags

6. OSCILLATORS and SYSClk

Instruction chooses whether SysClk is the internal oscillator HIRC, internal oscillator LIRC, or one of the three external oscillators (EC, LP, XT, see “SCS” in [Table 6-2](#)). If external oscillator is chosen, BOOT level “FOSC” ([Table 6-1](#)) will determine which one of the three external oscillators is used. Instructions also select the frequency step down divider for internal oscillator (see IRCF in [Table 6-2](#)). SysClk is used to derive the Instruction Clock:

$$\text{Instruction Clock} = \text{SysClk} / N; N = 2 \text{ for } 2T, 4 \text{ for } 4T.$$

The pin assignments for external clock inputs and Instruction Clock output are set by BOOT (see FOSC).

Timers and ADC have their own oscillators. More than one oscillator can be active simultaneously.

Oscillators will turn on automatically when the Timers using them are enabled. They will remain active as long as the corresponding Timers are active. The oscillators can be configured to shutdown or be active in SLEEP. By keeping the corresponding oscillator active in SLEEP, ADC, Timer functions and PWM can also be active in SLEEP.

As instructions are halted in SLEEP, so will Instruction Clock. Any peripherals using Instruction Clock will also halt in SLEEP.

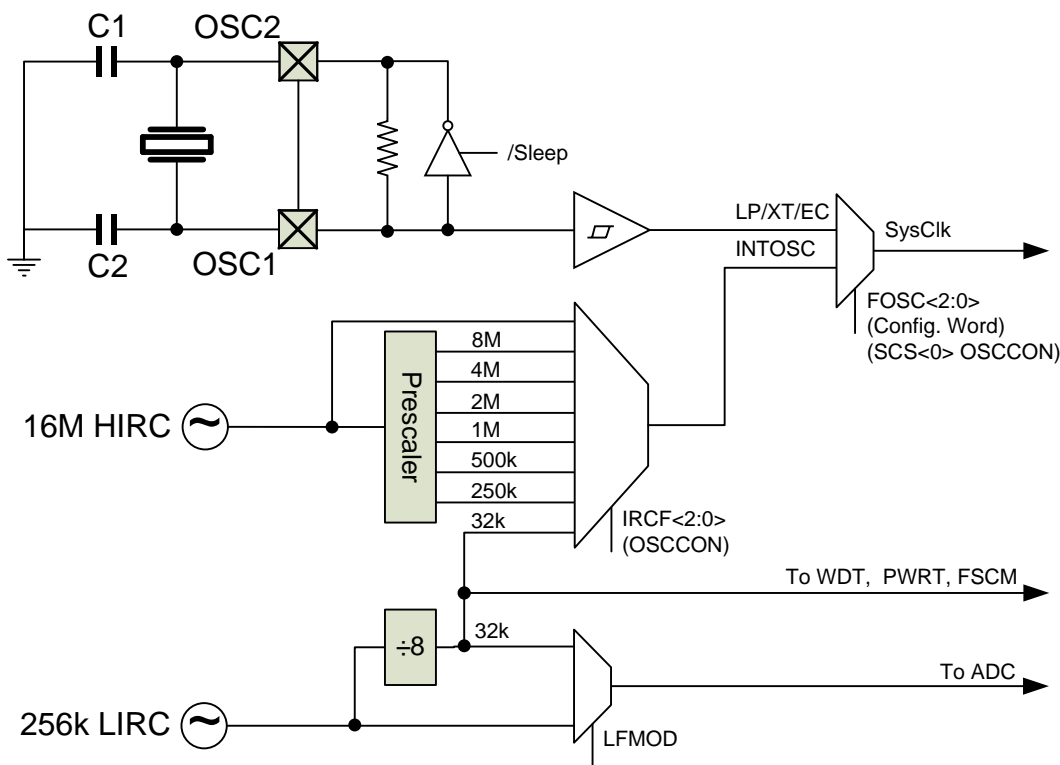


Figure 6-1 Clock source block diagram for SysClk

6.1 Summary of Oscillator Modules Related Registers

Name	Functions	default
FOSC	<ul style="list-style-type: none"> LP external oscillator across PA7 (+) and PA6 (-) XT external oscillator across PA7 (+) and PA6 (-) EC external oscillator at PA7 (+), PA6 as I/O pin INTOSC mode: PA6 output "Instruction Clock", PA7 as I/O pins INTOSCIO mode: PA7 and PA6 as I/O pins 	INTOSCIO
IESO	<u>Two-speed Startup for XT and LP</u> <ul style="list-style-type: none"> Enabled Disabled 	Enabled
FCMEN	<u>Fail-Safe Clock Monitor</u> <ul style="list-style-type: none"> Enabled Disabled 	Enabled
TSEL	<u># of SysClk per Instruction (2T or 4T)</u> <ul style="list-style-type: none"> 2 (Instruction Clock = SysClk/2) 4 (Instruction Clock = SysClk/4) 	2

Table 6-1 BOOT Level FOSC and 2-speed Start-Up configurations

SysClk Source		configuration				
		SCS	IRCF	LFMOD	OST	
		OSCCON[0]	OSCCON[6:4]	OSCCON[7]	(fixed)	
		0x8F				
		RW-0	RW-101	RW-0		
External	EC	0	-	-	-	
	XT	0	-	-	1,024	
	LP	0	-	-	32,768	
Internal	HIRC	16 MHz	1	111	-	-
		8 MHz	1	110	-	-
		4 MHz	1	101	-	-
		2 MHz	1	100	-	-
		1 MHz	1	011	-	-
		500 kHz	1	010	-	-
	LIRC	256 kHz ¹	1	000	1	-
		32 kHz ²	1	000	0	-

Table 6-2 Instruction Level SysClk source setup

¹ 256 kHz LIRCs used only for ADC (see ADCS and LFMOD in [Table 12-2](#)).

² Sysclk source (IRCF=000), LIRC and HIRC Cross Calibration, PWRT and FSCM all use the 32kHz LIRC, regardless of the LFMOD value.

Name	Status	Register	Addr.	Reset
OSTS	<u>Oscillator Start-Up Time-out (latched)?</u> 1 = Running from the external clock (start-up successful) 0 = Running from the internal oscillator	OSCCON[3]	0x8F	RO-x
HTS	<u>HIRC ready (latched)?</u> 1 = Yes 0 = <u>No</u>	OSCCON[2]		RO-0
LTS	<u>LIRC ready (latched)?</u> 1 = Yes 0 = <u>No</u>	OSCCON[1]		RO-0
CKMAVG	<u>4x averaging for LIRC and HIRC Cross Calibration</u> 1 = Enables 0 = <u>Disables</u>	MSCKCON[2]	0x1B	RW-0
CKCNTI	<u>Initiate LIRC and HIRC Cross Calibration</u> 1 = Start 0 = <u>Finished (auto-cleared)</u>	MSCKCON [1]		RW-0
SOSCPR	<u>LIRC Period Calibrated by # of HIRC clocks</u>	SOSCPR[11:0]	0x1D[3:0] 0x1C	RW-FFF

Table 6-3 Oscillators Control/Status

Name	Status	Register	Addr.	Reset
GIE	Global Interrupt 1 = Enables (PEIE, CKMEAIE, OSFIE applies) 0 = Global Disables (Wake-Up not affected)	INTCON[7]	0x0B 0x8B 0x10B	RW-0
PEIE	Master Peripheral Interrupt 1 = Enables (CKMEAIE, OSFIE applies) 0 = <u>Disables</u> (no Wake-Up)	INTCON[6]		RW-0
CKMEAIE	LIRC Calibration Completed Interrupt 1 = Enables 0 = <u>Disabled</u> (no Wake-Up)	PIE1[6]	0x8C	RW-0
OSFIE	External Oscillator Failed Interrupt 1 = Enables 0 = <u>Disabled</u> (no Wake-Up)	PIE1[2]		RW-0
CKMEAIF	LIRC Calibration completed? 1 = Yes (latched) 0 = <u>No</u>	PIR1[6]	0x0C	RW-0
OSFIF	External Oscillator Failed interrupt? 1 = Yes (latched) 0 = <u>No</u>	PIR1[2]		RW-0

Table 6-4 Oscillators Interrupt enable/Status

6.2 Internal Clock Modes (HIRC and LIRC)

Internal high frequency clock (HIRC) is factory calibrated to 16 MHz @ 2.5V/25°C. Typical die to die variation is $\pm 2.0\%$ at 2.5 – 5.5V, 25°C. The typical temperature variation from $-40 - +85\text{ }^{\circ}\text{C}$ is $\pm 3.0\%$.

HIRC is calibrated at the wafer level. Packaging may cause the HIRC frequency to drift. There is an option at the downloader to re-calibrate the HIRC.

Internal low frequency clock (LIRC) is factory calibrated to 32 kHz. Typical die to die variations is $\pm 9.0\%$ at 2.5 – 5.5V, 25°C. The temperature variation from $-40 - +85\text{ }^{\circ}\text{C}$ is $\pm 2.0\%$.

LIRC and HIRC can be used to cross calibrate each other – A build in hardware uses Timer2 to measure the number of Instruction Clocks (set SysClk to HIRC at 16MHz) in one LIRC period (32 kHz). Since LIRC has a lower temperature coefficient, the HIRC can be calibrated to the LIRC when the temperature fluctuates, thereby achieving the same $\pm 2.0\%$ temperature coefficient.

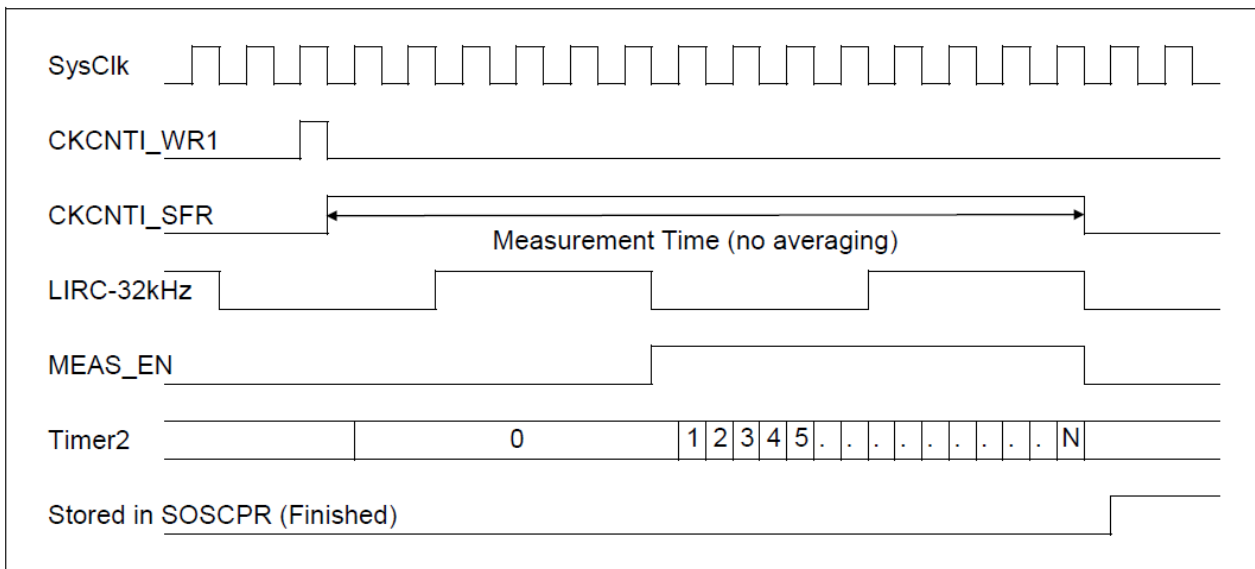


Figure 6-2 Single measurement timing diagram

To enable LIRC and HIRC Cross Calibration:

1. Set IRCF = 111, SCS = 1 ; select SysClk at 16MHz HIRC (other settings will have a lower accuracy).
2. Set CKMAVG = 1 ; 4 times averaging, choose 0 for no averaging.
3. Set TMR2ON = 1 ; enable Timer2.
4. Set CKCNTI = 1 ; start calibration, automatically Timer2 prescaler = 1, postscaler = 1, T2CKSRC = SysClk for 2T; SysClk/2 for 4T
5. At the end of the calibration “CKCNTI = 0”, “CKMEAIF = 1” automatically.
6. Measured value is stored at SOSCPR;
7. LIRC is 32kHz and CPU is running at 16MHz / 2T, the ideal matching number is 500.

Notes:

- Do not write SOSCPRH/L during LIRC and HIRC Cross Calibration.

- Timer2 cannot be used by other peripherals during LIRC and HIRC Cross Calibration.
- LIRC and HIRC Cross Calibration is incompatible with Single Step Debugger mode.

6.3 External Clock Modes (EC / LP / XT)

6.3.1 EC mode

External digital signal connected to OSC1 is the clock source (OSC2 is available for I/O). There is no set up or transition time delay when EC is used for SysClk after a POR or a wake-up from sleep.

6.3.2 LP and XT modes

A quartz crystal resonator or ceramic resonator is connected between OSC1 and OSC2 in LP or XT modes.

LP Oscillator mode has the lowest gain setting and current consumption of the three modes (EC, LP and XT). This mode is designed to drive only 32.768 kHz tuning-fork type crystals (watch crystals).

XT Oscillator mode selects the highest gain setting of the internal inverter-amplifier.

After a BOOT or a Wake-Up from Sleep, program execution is suspended during OST counting if the clock source is XT or LP mode. This allows the XT or LP clock to stabilize. OST counts 1,024 or 32,768 counts of OSC1 (+ve terminal of the crystal input) for XT and LP respectively. For a 32.768 kHz tuning-fork type crystals the OST time is at least 1 second.

- Notes: WDT is held in cleared until OST finished counting. Do not write WDTCON / OPTION during OST counting, otherwise unexpected behavior will occur.

Two-Speed Clock Start-up (see “IESO” in [Table 6-1](#)) allows instructions execution while OST counts, using the internal oscillator INTOSC as SysClk. It removes the external oscillator start-up time from the time spent awake and can reduce the overall power consumption, especially in cases of frequent SLEEP mode usage. The CPU wakes up from Sleep, performs a few instructions using the INTOSC as SysClk and return to Sleep without having to wait for the primary oscillator to become stable.

Note: Two-Speed Start-up is disabled for EC mode, as the oscillator does not require stabilization time.

Two Speed Start-up sequence

1. After a BOOT or Wake-up from Sleep.
2. INTOSC is used as SysClk for Instructions execution until OST time out.
3. SysClk is held low from the falling edge of INTOSC until the falling edge of the new clock (LP or XT mode).
4. SysClk switches to the external clock source.

The Oscillator Start-up Time-out Status (OSTS) indicates whether the SysClk is running from the external clock source or from the internal clock source. This is an indirect way to find out if the Oscillator Start-up Timer (OST) has timed out for the LP or XT mode when the Two-Speed Clock Start-up mode is on.

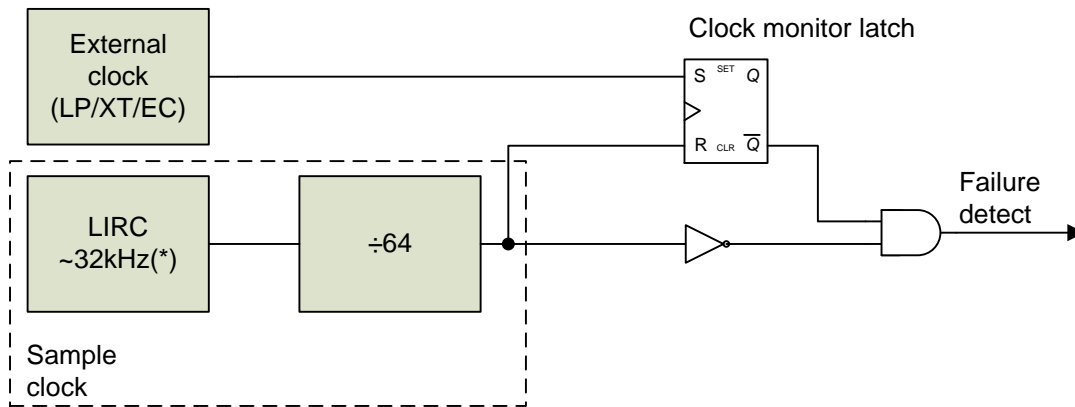
Executing a SLEEP instruction will abort the OST, and OSTS will remain “0”.

Fail-Safe Clock Monitor (FSCM) (FSCM, enabled by “FCMEN”, see [Table 6-1](#)) allows the device to continue operating should the external oscillator fails. The FSCM can detect oscillator failure any time after the Oscillator Start-up Timer (OST) has expired. The FSCM is applicable to all external oscillator modes (EC, LP and XT). It is recommended that FSCM be enabled if an external oscillator is used.

An external oscillator is considered fail if it oscillates at ~1 kHz or below. A sample clock is generated by dividing the LIRC by 64. The external clock sets a latch on each falling edge of the external clock. The sample clock clears the latch on each rising edge of the sample clock. A failure is when an entire half-cycle of the sample clock elapses without the primary clock goes low.

When the external clock fails, the FSCM switches the device clock to an internal clock source and sets OSFIF. Setting this flag will generate an interrupt if OSFIE is also set. The device hardware can then take steps to mitigate the problems that may arise from a failed clock. The SysClk will continue to be sourced from the internal clock source until the device hardware successfully restarts the external oscillator.

The internal clock source chosen by “FSCM” is determined by “IRCF”. This allows the internal oscillator to be configured before a failure occurs.



Note: LFMOD does not affect the sample clock.

Figure 6-3 FSCM block diagram

The Fail-Safe condition is cleared after a Reset, executing a SLEEP instruction or toggling the SCS. When SCS is toggled, OST is restarted. While OST is running, the device continues to operate from INTOSC. When OST times out, the Fail-Safe condition is cleared and the device will be operating from the external clock source. The Fail-Safe condition must be resolved before the OSFIF flag is cleared.

Note: Any automatic clock switch, which may occur from Two-Speed Start-up or Fail-Safe Clock Monitor, will not update SCS. The program can monitor OSTs to determine the current SysClk source.

6.4 HIRC, LIRC and EC inter-switching

Figure 6-4 shows the timing during inter-switching. If either HIRC or LIRC is shutdown prior to switching (to save power) there is an extra oscillator setup delay time, HTS and LTS indicate the status of the corresponding oscillator respectively.

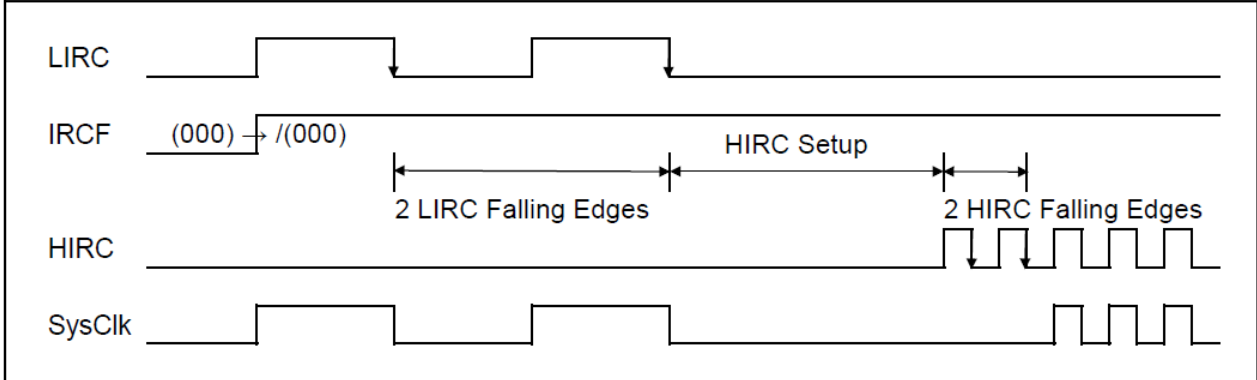


Figure 6-4 Switching from LIRC to HIRC (same principle applies switching among EC, LIRC, HIRC)

7. TIMERS and PWMx

There are 7 Timers including the Watch Dog Timer (WDT).

	WDT	Timer0	Timer1	Timer2	Timer3/4/5
Prescaler (bit)	–	8 (WDT shared)	3 (1x, 2x, 4x, 8x)	4 (1x, 4x, 16x)	7 (1x, 2x, 4x, 8x, 16x, 32x, 64x, 128x)
Counter (bit)	16	8	16	8	12
Postscaler (bit)	7 (Timer0 shared)	–	–	4 (1 – 16x)	–
Clock Sources	<ul style="list-style-type: none"> • <u>LIRC</u> 	<ul style="list-style-type: none"> • <u>Instruction Clock</u> • PA2/T0CKI (transition counter) 	<ul style="list-style-type: none"> • <u>Instruction Clock</u> • LP • PA7/T1CKI (rising edge counter) 	<ul style="list-style-type: none"> • <u>2x Instruction Clock</u> • 2x HIRC 	<ul style="list-style-type: none"> • HIRC • <u>2x Instruction Clock</u> • PA2/T0CKI (transition counter) • PA7/T1CKI (rising edge counter)

Table 7-1 Timers’ Resources

Notes: If a Timer’s clock is not the instruction Clock, set “TMRxON = 0” before changing TMRx.

Any Timer enabled will turn on its clock source automatically. Instruction Clock is disabled at SLEEP so it cannot be used for WDT. When LP or XT Oscillator is selected, FOSC must be configured correspondingly or to INTOSCIO mode, otherwise the oscillator is off and no counting will occur.

WDT postscaler and Timer0 prescaler shares the same hardware. The hardware is Instruction Level assigned to one, but not both. The Timer not assigned the scaler will have a scaler value of “1”.

In a POR or System-Reset, all Timers’ counter, prescaler, postscaler are reset except Timer0 counter. The followings will also reset a Timer’s counter and scaler(s):

	WDT	Timer0	Timer1	Timer2	Timer3/4/5
Prescaler	–	<ul style="list-style-type: none"> • TMR0 write • PSA switching 	<ul style="list-style-type: none"> • TMR1ON = 0 • TMR1L/H write 	<ul style="list-style-type: none"> • LIRC and HIRC Cross Calibration start • T2CON, TMR2L/H write • Any Reset 	<ul style="list-style-type: none"> • TMRxL/H write
Counter	<ul style="list-style-type: none"> • WDT, OST overflow • Enters/Exits SLEEP • CLRWDT • WDTCON write 	<ul style="list-style-type: none"> • Timer0 overflows 	<ul style="list-style-type: none"> • TMR1 = PR1 (matches, special event trigger) • ECCP trigger special event 	<ul style="list-style-type: none"> • TMR2 = PR2 (matches) 	<ul style="list-style-type: none"> • TMRx = PRx (matches in BUZZER mode)
Postscaler	<ul style="list-style-type: none"> • All Above except WDTCON write • PSA switching 	–	–	<ul style="list-style-type: none"> • T2CON, TMR2L/H write • Any Reset 	–

Table 7-2 Events resetting a Timer’s Counter and Scaler(s)

7.1 Watch Dog Timer, WDT

WDT is used to “Wake-Up from SLEEP” or “System-Reset if the CPU stalls”. WDT counts the number of clock cycles to a pre-set number until overflow.

- In SLEEP mode, a WDT overflow will trigger a Wake-up. The CPU will resume operation from where it is before SLEEP. This is not an Interrupt nor System-Reset event.
- In non-SLEEP mode, a WDT overflow will trigger a System-Reset (see [Section 4 System-Reset](#)).

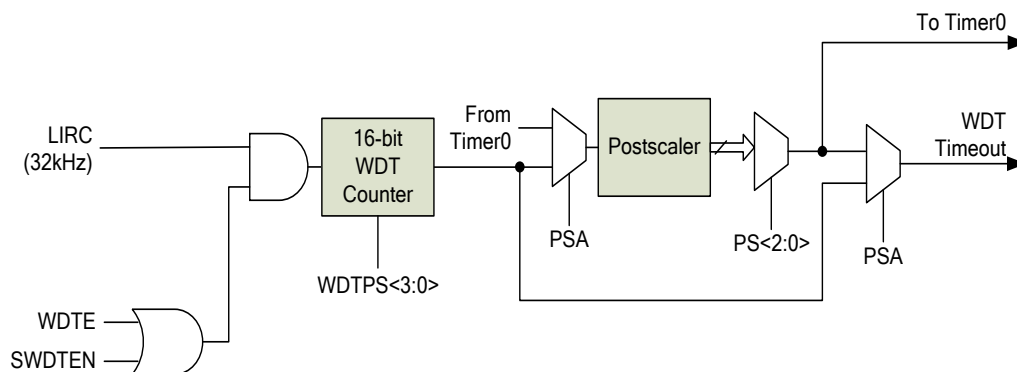


Figure 7-1 Block diagram of WDT

The WDT will overflow after a WatchDog-Time: WDT-Period x WDT-Postscaler / WDT Clock Frequency.

For a given Clock Source, WatchDog-Time step doubles successively due to the binary nature of the WDT Postscaler. Using LIRC as clock source, the maximum settable time before WDT overflows is

$$2^{16} \times 2^7 / 32\text{kHz} = \sim 262 \text{ seconds.}$$

7.1.1 Summary of WDT Related Registers

Name	Status	Register	Addr.	Reset				
WDTPS	<u>WDT Period</u>		0x18	RW-0100				
	0000 = 32	0111 = 4,096			WDTCON[4:1]			
	0001 = 64	1000 = 8,192						
	0010 = 128	1001 = 16,384						
	0011 = 256	1010 = 32,768						
	0100 = <u>512 (Default)</u>	1011 = 65,536						
	0101 = 1,024	11xx = 65,536						
0110 = 2,048								
SWDTEN	1 = WDT Enables 0 = <u>WDT Disables</u> (WDTE = 0)	WDTCON[0]		RW-0				
PSA	1 = <u>Scalar assigned as WDT Postscalar</u> 0 = Scalar assigned as Timer0 Prescalar	OPTION[3]		RW-1				
PS		WDT Postscalar	Timer0 Prescalar	OPTION[2:0]	0x81	RW-111		
	000		1				2	
	001		2				4	
	010		4				8	
	011	<u>(PSA=1)</u>	8				<u>(PSA=0)</u>	16
	100		16				32	
	101		32				64	
	110		64				128	
	111		<u>128</u>				<u>256</u>	
xxx	<u>(PSA =0)</u>	1	<u>(PSA =1)</u>	1				

Table 7-3 Instruction Level WDT Related Registers

Name	Functions	default
WDTE	<u>WDT</u> <ul style="list-style-type: none"> Enabled (overrides Instructions disable) <u>Instruction controlled (SWDTEN)</u> 	SWDTEN control

Table 7-4 BOOT Level WDT Selectors

7.1.2 Setting up and using the WDT

WDTE (BOOT Level) and/or SWDTEN (Instruction Level) enable the WDT. A WDT triggered Reset will also BOOT

WDT clock source is 32kHz LIRC, WDTPS, PSA and PS together set the Postscalers. Clock source will turn on automatically when the WDT using it is enabled, and will remain active in SLEEP mode.

To stop a WDT overflow, the WDT must be cleared before time expires. Refer to [Table 7-2](#) for events that will clear the WDT. Counting continues after WDT is cleared.

7.1.3 Switching scaler between Timer0 and WDT

As a result of having the same scaler assigned to either Timer0 or the WDT, it is possible to generate an unintended System-Reset when switching scaler between Timer0 and WDT.

When switching scaler assignment from Timer0 to WDT, the instruction sequence below must be followed.

```

BANKSEL TMR0           ; Can skip if already in TMR0 bank
CLRWDW                 ; Clear WDT
CLRR TMR0              ; Clear TMR0 and scaler
BANKSEL OPTION
BSR OPTION, PSA       ; Select WDT

LDWI b'11111000'      ; Mask scaler bits (PS2-0)
ANDWR OPTION, W
IORWI b'00000101'     ; Set WDT scaler bits to 32 (or any value desired)
STR OPTION
    
```

When switching scaler assignment from WDT to Timer0, the instruction sequence below must be followed.

```

CLRWDW                 ; Clear WDT and scaler
BANKSEL OPTION
LDWI b'11111000'      ; Mask TMR0 select and scaler bits (PSA, PS2-0)
ANDWR OPTION, W
IORWI b'00000011'     ; Set Timer0 scale to 16 (or any value desired)
STR OPTION
    
```

7.2 TIMER0

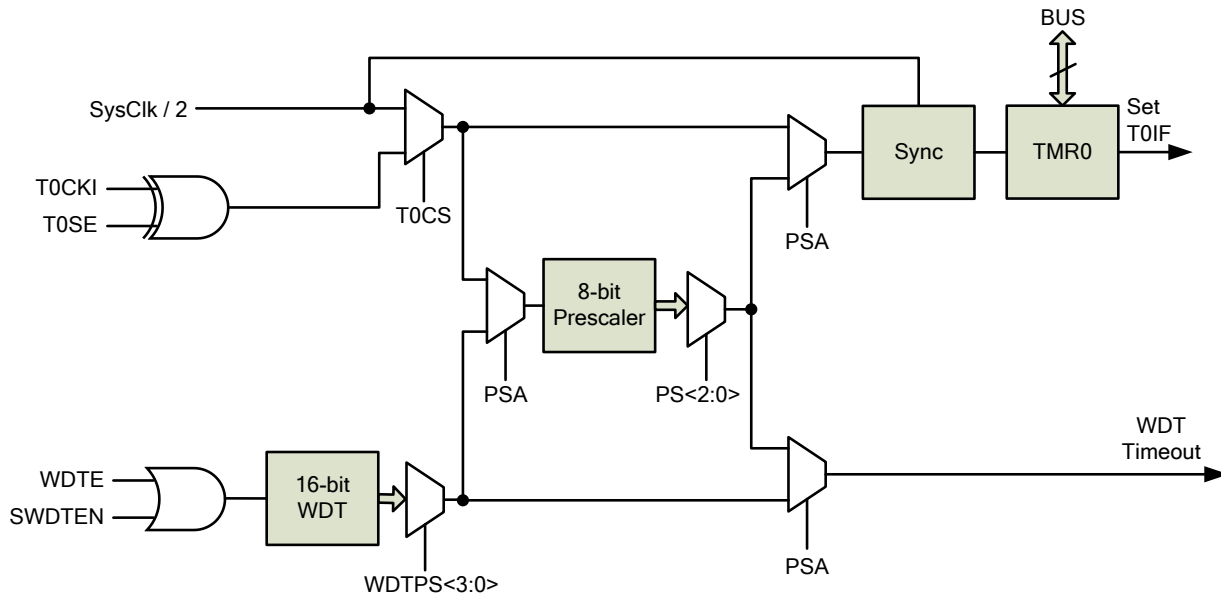


Figure 7-2 Block diagram of Timer0

Timer0 is used to count transitions at an I/O “PA2–T0CKI”, or as a timer to keep time (Clock source is Instruction clock).

Timer0 counts and overflows upon reaching a time = $TMR0[7:0] * Timer0_Prescaler$

An Interrupt flag (T0IF) is set. Depends on the enable controls (T0IE and GIE)

Notes:

1. Timer0 stops for two instruction cycles immediately following writing TMR0.
2. Timer0 will be disabled in SLEEP mode and will retain the value before entering SLEEP.
3. If Timer0 is used to count T0CKI, there are minimum period, high and low pulse width requirements relative to Timer0. However unless T0CKI is very fast and T_{T0CK} is very slow, the restrictions will usually be satisfied.

T0CKI	Minimum	Units	Conditions
High or Low Pulse Width	$0.5 * T_{T0CK} + 20$	ns	no Prescaler
	10	ns	with Prescaler
Period	$\text{maximum}(20, (T_{T0CK}+40)/N)$	ns	N = 1, 2, 4, ..., 256 (with Prescaler) N = 1 (no Prescaler)

4. See [Section 7.1.3](#) regarding “Switching scaler between Timer0 and WDT modules”

7.2.1 Summary of Timer0 Related Registers

Name	Status	Register	Addr.	Reset	
T0CS	<u>Timer0 Input Source</u> 1 = PA2/T0CKI (Counter) 0 = Instruction Clock (Timer)	OPTION[5]	0x81	RW-1	
T0SE	<u>Counter Trigger</u> 1 = <u>Falling Edge</u> 0 = Rising Edge	OPTON[4]		RW-1	
PSA	1 = <u>Scalar assigned as WDT Postscalar</u> 0 = Scalar assigned as Timer0 Prescalar	OPTION[3]		RW-1	
PS		WDT Postscalar	TIMER0 Prescalar	OPTION[2:0]	RW-111
	000	1	2		
	001	2	4		
	010	4	8		
	011	<u>(PSA=1)</u> 18	<u>(PSA=0)</u> 16		
	100	16	32		
	101	32	64		
	110	64	128		
111	<u>128</u>	<u>256</u>			
xxx	<u>(PSA =0)</u> 1	<u>(PSA =1)</u> 1			
TMR0[7:0]	Timer0 Count Value	TMR0[7:0]	0x01	RW-xxxx xxxx	

Table 7-5 Instruction Level Timer0 Related Control Registers

Name	Status	Register	Addr.	Reset
GIE	Global Interrupt 1 = Enables (T0IE applies) 0 = <u>Global Disables</u> (Wake-Up not affected)	INTCON[7]	0x0B	RW-0
T0IE	Timer0 Overflow Interrupt 1 = Enables 0 = <u>Disables</u> (no Wake-Up)	INTCON[5]	0x8B 0x10B	RW-0
T0IF	Timer0 Overflow Interrupt? 1 = Yes (latched) 0 = <u>No</u>	INTCON[2]		RW-0

Table 7-6 Timer0 Interrupt Enable and Status Bits

7.3 TIMER1

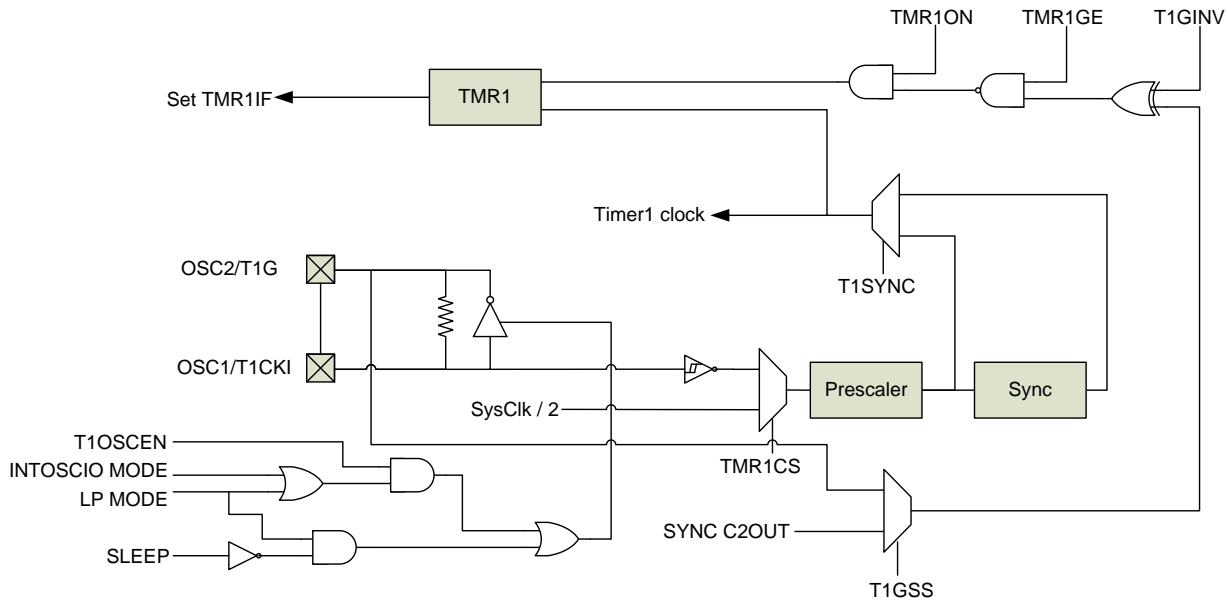


Figure 7-1 Block diagram of Timer1

Timer1 is used to count rising edge at an I/O “PA7–T1CKI” (Synchronization/ Asynchronization), or as a timer to keep time (Clock source is Instruction clock/ LP oscillator). Timer1 can also used for gate mode (Timer1 gate source is software configurable to be the /T1G pin or the output of Comparator C2), or used as time base of Enhanced Capture /Compare/PWM Module (See [Section 10](#)).

Timer1 counts and overflows upon reaching a time = TMR1 * Timer1_ Prescaler

An Interrupt flag (TMR1IF) is set. Depends on the enable controls (TMR1IE, GIE and PEIE) it may result in an AWAKE from SLEEP and/or Interrupt.

Note:

1. In Counter mode, a falling edge must be register by the counter prior to the first incrementing rising edge after any one or more of the following condition:
 - Timer1 Timer1 enabled after POR reset
 - Timer1 is disabled(TMR1ON=0) when T1CKI is high then Timer1 is enabled(TMR1ON=1) when T1CKI is low.
 - Write to TMR1H or TMR1L
2. If T1SYNC, TMR1CS, TMR1ON is set, the external clock input is not synchronized. The timer increments asynchronously to the internal phase clocks. If external clock source is selected (T1OSCEN = 1) then the timer will continue to run during Sleep and can generate an interrupt on overflow, which will wake-up the processor. Otherwise Timer1 will be disabled in SLEEP mode and will retain the value before entering SLEEP.
3. If Timer1 is used to count T1CKI, there are minimum period, high and low pulse width requirements relative to Timer1. However unless T1CKI is very fast and T_{T1CK} is very slow, the restrictions will usually be satisfied.

T1CKI	Mode	Minimum	Units	Conditions
High or Low Pulse Width	Synchronization	$(T_{sysclk} + 20) / N$	ns	N = 1, 2, 4, 8 (with Prescaler)
	Asynchronization	maximum (10, 30 / N)	ns	
Period	Synchronization	$2 * (T_{sysclk} + 20) / N$	ns	
	Asynchronization	maximum (20, 60 / N)	ns	

7.3.1 Summary of Timer1 Related Registers

Name	Status	Register	Addr.	Reset
T1GINV	<u>Gate Invert bit</u> 1 = Timer1gate is active high 0 = <u>Timer1 gate is active low</u>	T1CON[7]	0x10	RW-0
TMR1GE	<u>Timer1 Gate Enable bit (TMR1ON = 1)</u> 1 = Timer1 is on if Timer 1 gate is active 0 = <u>Timer1 is on</u>	T1CON[6]		RW-0
T1CKPS	<u>Timer1 prescaler</u> 00 = 1 10 = 4 01 = 2 11 = 8	T1CON[5:4]		RW-00
T1OSCEN	<u>LP Oscillator Enable Control bit</u> 1 = Enables ^(*) 0 = <u>Disables</u> ^(*) FOSC in LP or INTOSCIO mode, and TMR1CS = 1, Otherwise the oscillator will not active	T1CON[3]		RW-0
T1SYNC ¹	<u>Timer1External Clock Input Synchroniaztion Control bit</u> 1 = Asynchronization 0 = <u>Synchronization</u> Note: TMR1CS = 1, this bit is active	T1CON[2]		RW-0
TMR1CS	<u>Timer1 clock source</u> 1 = External PA7/T1CKI(rising edge) or LP oscillator 0 = <u>Internal instruction clock</u>	T1CON[1]		RW-0
TMR1ON	Timer1 1 = Enables 0 = <u>Disables</u>	T1CON[0]		RW-0
T1GSS	Timer1 Gate Source 1 = T1G pin (pin should be configured as digital input) 0 = Comparator C2 output	CMCON1[1]		0x1A
C2SYNC	<u>Comparator C2 Output Synchronization bit</u> 1 = Output is synchronized with falling edge of Timer1 clock 0 = <u>Output is asynchronous</u>	CMCON1[0]	RW-0	
TMR1L	Least Significant Byte of the 16-bit TIMER1 Register	TMR1L[7:0]	0x0E	RW- 0000
TMR1H	Most Significant Byte of the 16-bit TIMER1 Register	TMR1H[7:0]	0x0F	0000

Table 7-1 Instruction Level Timer1 Related Control Registers

¹ When switching from synchronous to asynchronous operation, it is possible to skip an increment. When switching from asynchronous to synchronous operation, it is possible to produce an additional increment.

Name	Status	Register	Addr.	Reset
GIE	Global Interrupt	INTCON[7]	0x0B 0x8B 0x10B	RW-0
PEIE	Master Peripheral Interrupt	INTCON[6]		RW-0
TMR1IE	Timer1 matched PR1 Interrupt	PIE1[0]	0x8C	RW-0
TMR1IF	Timer1 matched PR1 Interrupt?	PIR1[0]	0x0C	RW-0

Table 7-7 Timer1 Interrupt Enable and Status Bits

7.3.2 R/W operation of Timer1 register

TMR1H and TMR1L cannot be READ or WRITE simultaneously. The following Read and Write sequences must be followed:

- To READ TMR1, in order to avoid the timer overflow or carry out of TMR1L to TMR1H between the reads, it is recommended to set “TMR1ON =0” first, then read TMR1L and TMR1H.
- To WRITE TMR1, in order to avoid write contentain, it is recommended to set “TMR1ON =0” first, then write TMR1L and TMR1H.

Reading TMR1H or TMR1L while the timer is running from an external asynchronous clock will ensure a valid read(take care of hardware).

7.3.3 Timer1 Gate

Timer1 gate source is software configurable to be the /T1G pin or the output of Comparator C2. (see T1GSS, [Table 7-1](#)), and Timer1 gate can be inverted (see T1GINV, [Table 7-1](#)). This feature can simplify the software for a Δ-Σ A/D converter and many other application.

Note:

1. When the LP oscillator is configured as Timer1 clock source, T1G always output “1”, thus do not use it to gate control Timer1.
2. It is recommended to synchronize Comparator with Timer1 by setting the C2SYNC bit when the comparator is used as the Timer1 gate source. This ensures Timer1 does not miss an increment if the comparator changes during an increment.

7.4 TIMER2

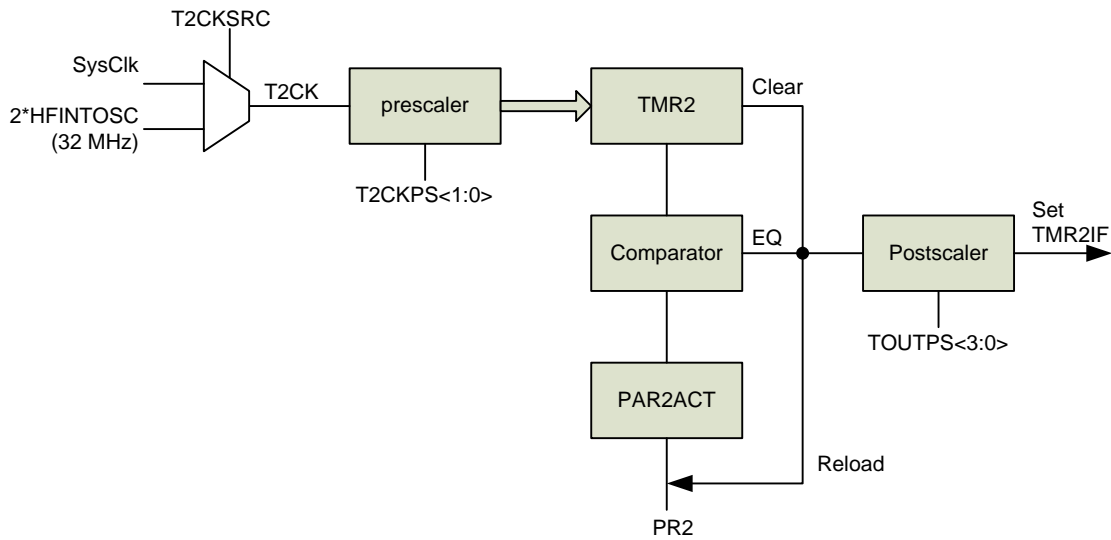


Figure 7-3 Timer2 block diagram

Timer2 is used as a timer. It is also for generating the enhanced PWM (without Postscaler, see [Section 10](#) PWM), and for LIRC and HIRC Cross Calibration counting (CKCNTI=1). Counter matches and postscaler overflows function can be used simultaneously.

Timer2 clock is fed into Timer2 Prescaler (options of 1, 4 or 16). The Prescaler output increments TMR2 from 0x00 until it matches PR2. Upon matching:

1. TMR2 resets to 0x00 on the next increment cycle
2. Timer2 Postscaler increments.
3. Timer2 overflows when Timer2 post-scaler output is equal to the post-scaler setting (1, 2 15 or 16).
4. An Interrupt flag TMR2IF is set to 1. Depends on the enable controls (GIE, PEIE and TMR2IE) it may result in Interrupt.

Notes:

1. TMR2 is not cleared when T2CON0 is written.
2. Both TMR2 and PR2 are R/W. They are 0x0000 and 0xFFFF respectively when reset.
3. Timer2 will be disabled in SLEEP mode and will retain the value before entering SLEEP.

7.4.1 Summary of Timer2 Related Registers

Name	Status	Register	Addr.	Reset		
TOUTPS	<u>Timer2 Post-scaler</u>		0x12	RW-0000		
	0000 = 1	0100 = 5			1000 = 9	1100 = 13
	0001 = 2	0101 = 6			1001 = 10	1101 = 14
	0010 = 3	0110 = 7			1010 = 11	1110 = 15
	0011 = 4	0111 = 8	1011 = 12	1111 = 16		
TMR2ON	Timer2	1 = Enables 0 = <u>Disables</u>	T2CON[2]	RW-0		
T2CKPS	Timer2 Prescaler	00 = 1 01 = 4 1x = 16	T2CON[1:0]	RW-00		
T2CKSRC	<u>Timer2 Clock Source</u>		MCKCON[5]	0x1B	RW-0	
	1 = 2 x HIRC (32MHz, Effective only in ECCP mode) 0 = <u>2</u> x Instruction Clock					
TMR2	TMR2 count register		TMR2[7:0]	0x11	RW-0000 0000	
PR2	PR2 period register		PR2[7:0]	0x92	RW-1111 1111	

Table 7-8 Instruction Level Timer2 Related Control Registers

Name	Status	Register	Addr.	Reset	
GIE	Global Interrupt	1 = Enables (PEIE, TMR2IE applies) 0 = <u>Global Disables</u> (Wake-Up not affected)	INTCON[7]	0x0B 0x8B 0x10B	RW-0
PEIE	Master Peripheral Interrupt	1 = Enables (TMR2IE applies) 0 = <u>Disables</u> (no Wake-Up)	INTCON[6]		RW-0
TMR2IE	Timer2 matched PR2 Interrupt	1 = Enables 0 = <u>Disables</u> (no Wake-Up)	PIE1[1]	0x8C	RW-0
TMR2IF	Timer2 matched PR2 Interrupt?	1 = Yes (latched) 0 = <u>No</u>	PIR1[1]	0x0C	RW-0

Table 7-9 Timer2 Interrupt Enable and Status Bit

7.5 TIMER3/4/5 and PWM3/4/5

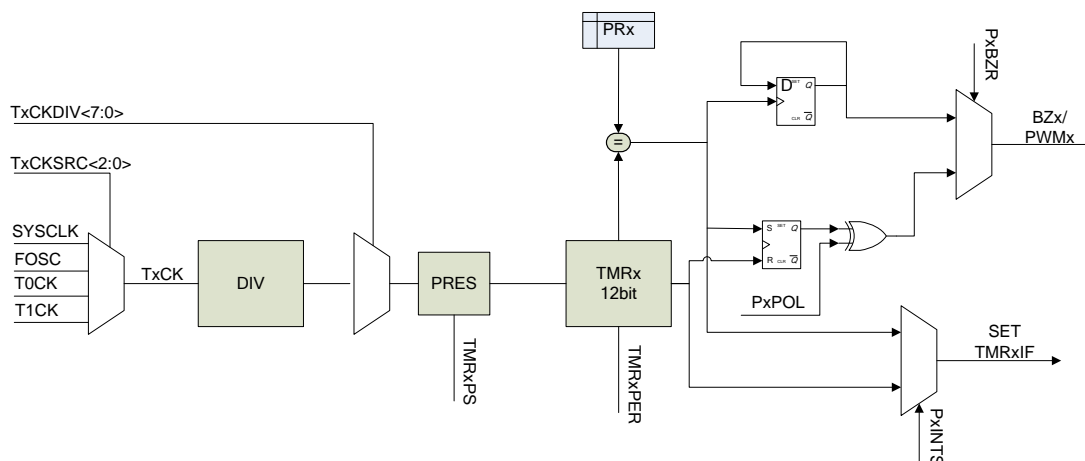


Figure 7-2 Timerx/PWMx (x = 3, 4, 5) block diagram

Timer3/4/5 is used to count transitions at an I/O “PA2–T0CKI” or “PA7–T1CKI”, or as a timer to keep time (Clock source is Instruction clock). And it can generate 3 independent Duty Cycles PWMx with selectable polarity.

PxCKSRC chooses the Timerx/PWMx clock source, and the clock source is optional 1-256 frequency division (see TxCKDIV), The divided clock is fed into 7-bit Prescaler (options of 1-128). The Prescaler output increments TMRx

Timerx can configure Overflow or match interrupt (see “PxINTS”).

Overflow: overflow time = $TMRx[11:0] * Timerx_prescaler$, the effective bit of TMRx specified by PxPER

Match: TMRx increase to setting time = $PRx * Timerx_prescaler / (Timerx_divider)$, TMRx matches PRx.

When Timerx overflow or TMRx matches PRx, Interrupt flag TMRxIF will be set, TMRx will returns to 0x000 after a count clock. Depends on the enable controls (GIE, PEIE and TMRxIE) it may result in an AWAKE from SLEEP and/or Interrupt.

Note:

1. HIRC will be enabled automatically when HIRC is selected as Timerx/PWMx clock source except in SLEEP mode;
2. Both TMRx and PRx are R/W. PRx is 0xFFFF when reset., TMRx is uncertain, it should be cleared by software or write other initial value.
3. If “PxCKSRC = 010 / 011”, the I/O “PA2–T0CKI” or “PA7–T1CKI” is selected, then the Timerx/PWMx/BUZZERx will continue to run during Sleep, which will wake-up the processor. Otherwise Timer1 will be disabled in SLEEP mode and will retain the value before entering SLEEP.
4. If Timerx is used to count T0CKI or T1CKI, the requirement of T0CKI/T1CKI see [Section 7.2](#) and [Section 7.3](#).

7.5.1 Summary of Timer3/4/5b Related Registers

Name	Status	Register	Addr.	Reset
P3PER	<u>TMRx period select bit(PxINTS = 0)</u> ² 000 = <u>4 bits</u> 100 = 9 bits 001 = 5 bits 101 = 10 bits 010 = 6 bits 110 = 11 bits 011 = 8 bits 111 = 12 bits	PWM3CR0[6:4]	0x10F	RW-000
P4PER		PWM4CR0[6:4]	0x115	
P5PER		PWM5CR0[6:4]	0x11B	
P3CKSRC	<u>TIMERx / PWMx clock select bits</u> 000 = <u>2x instruction clock / (TxCKDIV + 1)</u> 001 = HIRC / (TxCKDIV + 1) 010 = T0CKI / (TxCKDIV + 1) 011 = T1CKI / (TxCKDIV + 1) 100 = HIRC / (TxCKDIV + 1), PWMx output low 101 = HIRC / (TxCKDIV + 1), PWMx output high 110 = HIRC / (TxCKDIV + 1), PWMx modulates PxCK according to high pulse (see Table 7-4) 111 = HIRC / (TxCKDIV + 1), PWMx modulates PxCK according to high pulse (see Table 7-4)	PWM3CR0[3:1]	0x10F	RW-000
P4CKSRC		PWM4CR0[3:1]	0x115	
P5CKSRC		PWM5CR0[3:1]	0x11B	
P3BZR	<u>PWM / BUZZER select</u> 1 = BUZZER output 0 = <u>PWM output</u>	PWM3CR0[0]	0x10F	RW-0
P4BZR		PWM4CR0[0]	0x115	
P5BZR		PWM5CR0[0]	0x11B	
P3EN	<u>TIMERx / PWMx Operating Mode</u> 1 = PWM / BUZZER Mode 0 = <u>Timer Mode</u>	PWM3CR1 [7]	0x110	RW-0
P4EN		PWM4CR1 [7]	0x116	
P5EN		PWM5CR1 [7]	0x11C	
P3POL	<u>PWMx Output Polarity Select</u> 1 = Active-low 0 = <u>Active-high</u>	PWM3CR1[6]	0x110	RW-0
P4POL		PWM4CR1[6]	0x116	
P5POL		PWM5CR1[6]	0x11C	
TMR3PS	<u>PWMx Prescaler</u> 000 = <u>1</u> 100 = 16 001 = 2 101 = 32 010 = 4 110 = 64 011 = 8 111 = 128	PWM3CR1[5:3]	0x110	RW-000
TMR4PS		PWM4CR1[5:3]	0x116	
TMR5PS		PWM5CR1[5:3]	0x11C	
TMR3ON	<u>TIMERx</u> 1 = Enables 0 = <u>Disables</u>	PWM3CR1[2]	0x110	RW-0
TMR4ON		PWM4CR1[2]	0x116	
TMR5ON		PWM5CR1[2]	0x11C	
T3CKDIV ³	TMR3 clock frequency is $F_{T3CK}/(T3CKDIV+1)$ (see "P3CKSRC")	T3CKDIV[7:0]	0x111	RW-0000 0000

² Set TMRxON = 0 before write PxPER

³ The divider is automatically cleared when writing to the TxCKDIV register.

Name	Status	Register	Addr.	Reset
T4CKDIV ³	TMR4 clock frequency is $F_{T4CK}/(T4CKDIV+1)$ (see "P4CKSRC")	T4CKDIV[7:0]	0x117	RW-0000 0000
T5CKDIV ³	TMR5 clock frequency is $F_{T5CK}/(T5CKDIV+1)$ (see "P5CKSRC")	T5CKDIV[7:0]	0x11D	RW-0000 0000
TMR3L	TIMER3 Counter Low Byte	TMR3L[7:0]	0x10C	RW-xxxx xxxx
TMR3H	Upper 4 bits of TIMER3 Counter	TMR3H[7:4]	0x10D	RW-xxxx
PR3L	PR3 Register Low Byte	PR3L[7:0]	0x10E	RW-1111 1111
PR3H	Upper 4 bits of PR3	TMR3H[3:0]	0x10D	RW-1111
TMR4L	TIMER4 count result low Byte	TMR4L[7:0]	0x112	RW-xxxx xxxx
TMR4H	upper 4 bits of TIMER4 count result	TMR4H[7:4]	0x113	RW-xxxx
PR4L	Match register PR4 of the PWM4 low Btyle	PR4L[7:0]	0x114	RW-1111 1111
PR4H	Upper 4bits of PR4	TMR4H[3:0]	0x113	RW-1111
TMR5L	TIMER5 count result low byte	TMR5L[7:0]	0x118	RW-xxxx xxxx
TMR5H	upper 4 bits count result of TIMER5	TMR5H[7:4]	0x119	RW-xxxx
PR5L	match register PR5 of the PWM5 low Btyle	PR5L[7:0]	0x11A	RW-1111 1111
PR5H	upper 4 bits of PR5	TMR5H[3:0]	0x119	RW-1111

Table 7-2 Instruction Level Timer3/4/5 Related Control Registers

Name	Status	Register	Addr.	Reset
GIE	<u>Global Interrupt</u> 1 = Enables (PEIE, TMRxIEapplies) 0 = <u>Global Disables</u> (Wake-Up not affected)	INTCON[7]	0x0B 0x8B 0x10B	RW-0
PEIE	<u>Master Peripheral Interrupt</u> 1 = Enables (TMRxIE applies) 0 = <u>Disables</u> (no Wake-Up)	INTCON[6]		RW-0
P3INTS	<u>Timerx Interrupt select bit</u> 1 = TMRx matches PRx 0 = TMRx overflow	PWM3CR0[7]	0x10F	RW-0
P4INTS		PWM4CR0[7]	0x115	RW-0
P5INTS		PWM5CR0[7]	0x11B	RW-0
TMR3IE	<u>Timerx Interrupt</u> 1 = Enables 0 = <u>Disables</u> (no Wake-Up)	PWM3CR1[1]	0x110	RW-0
TMR4IE		PWM4CR1[1]	0x116	RW-0
TMR5IE		PWM5CR1[1]	0x11C	RW-0
TMR3IF	Timerx Interrupt flag 1 = Yes (latched) 0 = <u>No</u>	PWM3CR1[0]	0x110	RW-0
TMR4IF		PWM4CR1[0]	0x116	RW-0
TMR5IF		PWM5CR1[0]	0x11C	RW-0

Table 7-3 Timerx (x = 3, 4, 5) Interrupt Enable and Status Bit

7.5.2 R/W operation of Timer3/4/5 register

TMRxH and TMRxL cannot be READ or WRITE simultaneously. It is recommended to set “TMRxON =0” first, then read/write TMRxL and TMRxH.

7.5.3 PWMx Mode

PWMx Mode — The duty cycle of the PWM3/4/5 are independent

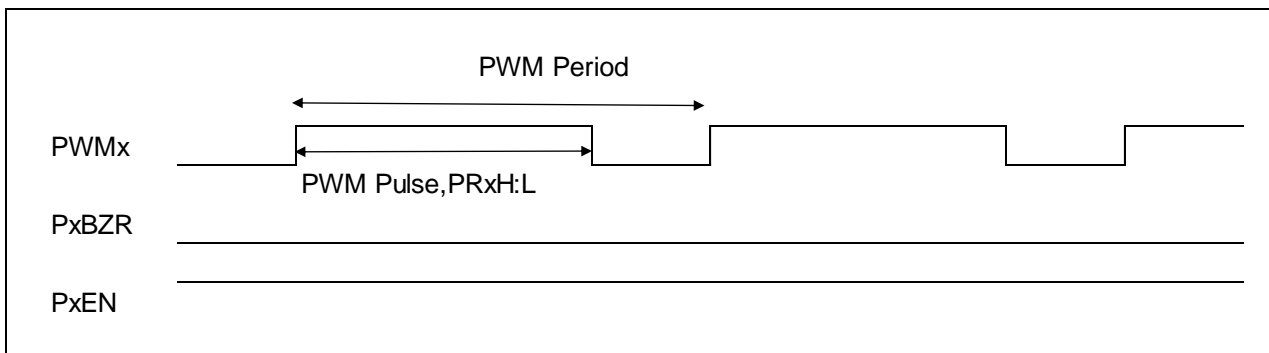


Figure 7-3 PWMx operating mode (Positive output)

PWMx period is specified by the PxPER, like [Equation 7-1](#). The PWM duty cycle is specified by PRxH:L, like [Equation 7-2](#) and [Equation 7-3](#).

Equation 7-1 $PWMx\ period = 2^N * T_{PxCK} * (TMRxprescaler)$ (N is effective bit configured by PxPER)

Equation 7-2 $PWMx\ pulse = (PRx) * T_{PxCK} * (TMRxprescaler)$

Equation 7-3 $PWMxduty\ cycle = (PRx) / 2^N;$ (N is effective bit configured by PxPER)

TIMERx have 8 perscale option, PxCK can be divided by 1, 2, 4, 8, 16, 32, 64, 128. Perscaler:

PxCKSRC	Clock source and divider	PWMx / BUZZERx output
000	2x Instruction clock / (TxCKDIV + 1)	Normal
001	HIRC / (TxCKDIV + 1)	Normal
010	T0CKI / (TxCKDIV + 1)	Normal
011	T1CKI / (TxCKDIV + 1)	Normal
100	HIRC / (TxCKDIV + 1)	Low
101	HIRC / (TxCKDIV + 1)	High
110	HIRC / (TxCKDIV + 1)	PWMx modulates PxCK according to high pulse
111	HIRC / (TxCKDIV + 1)	PWMx modulates PxCK according to low pulse

Table 7-4 PWM output mode

Note:

1. In PWMx mode, when $TMRxH:L = 2^N$ (N is effective bit configured by PxPER), TMRxH:L automatically cleared;
2. PRxH and PRxL cannot be WRITE simultaneously. it immediately effects PWM duty cycle when writing to PRxH:L, it is recommended to write target value to PRx before TIMERx running.
3. ECCP priority is higher than PWM3/PWM4/PWM5, If it want to use both ECCP's PWM and PWM3/4/5, P1M<1:0> should be configured "00", that is single output mode (see [Section 10](#))

BUZZERx mode — PWMx output 50% duty cycle square wave, the period decided by PRxH:L like [Equation 7-4](#).

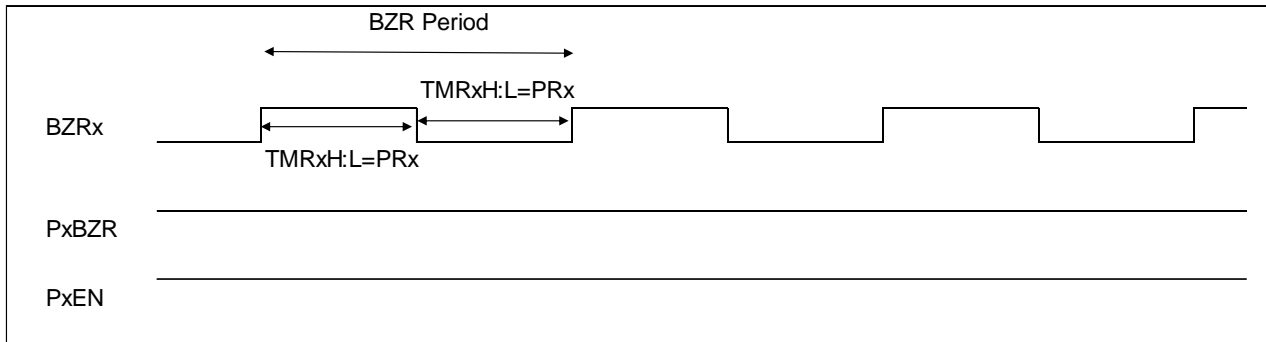


Figure 7-4 50% duty cycle of the BUZZER square wave

Equation 7-4 $BUZZERxperiod = 2 * PRx * T_{PxCK} * (TMRxprescaler)$

Note:

1. When operating BUZZER mode, TIMERx automatically operates in 12-bit mode, no matter what the value of PxPER. When TMRxH:L is equal to PRx, TMRxH:L is automatically cleared;
2. In BUZZER mode, if PRx=0x000, PWMx always outputs 0, TMRxIF will be set when 12-bit TIMERx overflows.

8. SLEEP (POWER-DOWN)

During SLEEP Instruction Clock is inactive and instructions execution is halted. Most modules are powered down to conserve power. As listed in [Table 8-1](#), FT61EC2x can selectively turn on individual modules in SLEEP so that functions, LVR, LVD, WDT, Timers, Comparator, PWM and ADC, can be maintained during SLEEP if desired without instruction interventions. Some modules can configure automatic power down upon SLEEP to save the need to turn them off by instructions.

Module	Condition in SLEEP	
	RUN	RUN
Instruction Clock	(always power down)	Yes
LVR (Configure the LVREN)	Enabled or Instruction controlled (SLVREN=1)	Enabled except in SLEEP
LVD	LVDEN = 1	No
WDT	WDTE or SWDTEN	No
TIMER0	(always power down)	Yes
TIMER1	TMR1ON = 1 & T1SYNC = 1 & TMR1CS = 1 & T1OSCEN = 1	TMR1ON = 0
TIMER2	(always power down)	Yes
PWM3/4/5	PxCKSRC = 010 / 011 & TMRxON = 1	No
Enhanced ECCP	(follows TIMER2)	
HIRC / LIRC / EC / LP / XT	(follow peripherals that are using them)	
ADC	(Runs if ADON = 1 and the ADC clock source is running)	
Comparator	(CM ≠ 000 or 111, comparator maintain running)	
Voltage Regulator	(VREG_OE = 1, Voltage regulator maintain running)	
I/O	(maintain their states before SLEEP unless PWM SLEEP enabled)	

Table 8-1 All except Instruction Clock can remain active in SLEEP if so desired

8.1 Entering into SLEEP

A SLEEP command puts the CPU to SLEEP.

1. If WDT is enabled, it will clear its Postscalar (if assigned) and counter, and start counting.
2. Time Out Flag (/TF) = 1
3. Power Down Flag (/PF) = 0
4. Clock sources
 - Instruction Clock shuts down automatically.
 - HIRC, LIRC, external oscillators (EC, LP, XT) are active if the Timer that uses them remains active. If a certain Timer auto-shutdown in SLEEP, its clock source will auto-shutdown too unless it is used by another Timer that remains active.
 - Instruction Clock will stop, and therefore output will not update anymore even if configured so.
5. I/O PORTS
 - PWM output continue if Timer3/4/5 is active in SLEEP. PWM auto-shutdown if Timer3/4/5 auto-shutdown.
 - For other digital outputs, they will maintain the state before SLEEP ((Tri-state, “0” or “1”)

- ADC is active if “ADON = 1” and the ADC clock source is active. It will auto-shutdown if its clock source auto-shutdown.

For more information about how peripherals work in SLEEP please refer to the corresponding chapters.

8.2 Waking-Up from SLEEP

There are 2 general principles to Wake-up from sleep:

- Time based, in which the CPU wakes up after a certain amount of time. LIRC is the clock choice for keeping time as it has lower power consumption than HIRC.
- Events based that triggers POR, System-Reset, Wake-up without Interrupt, and Interrupts, such as LVD, ADC, Interrupt-on-change, PC1-INT.

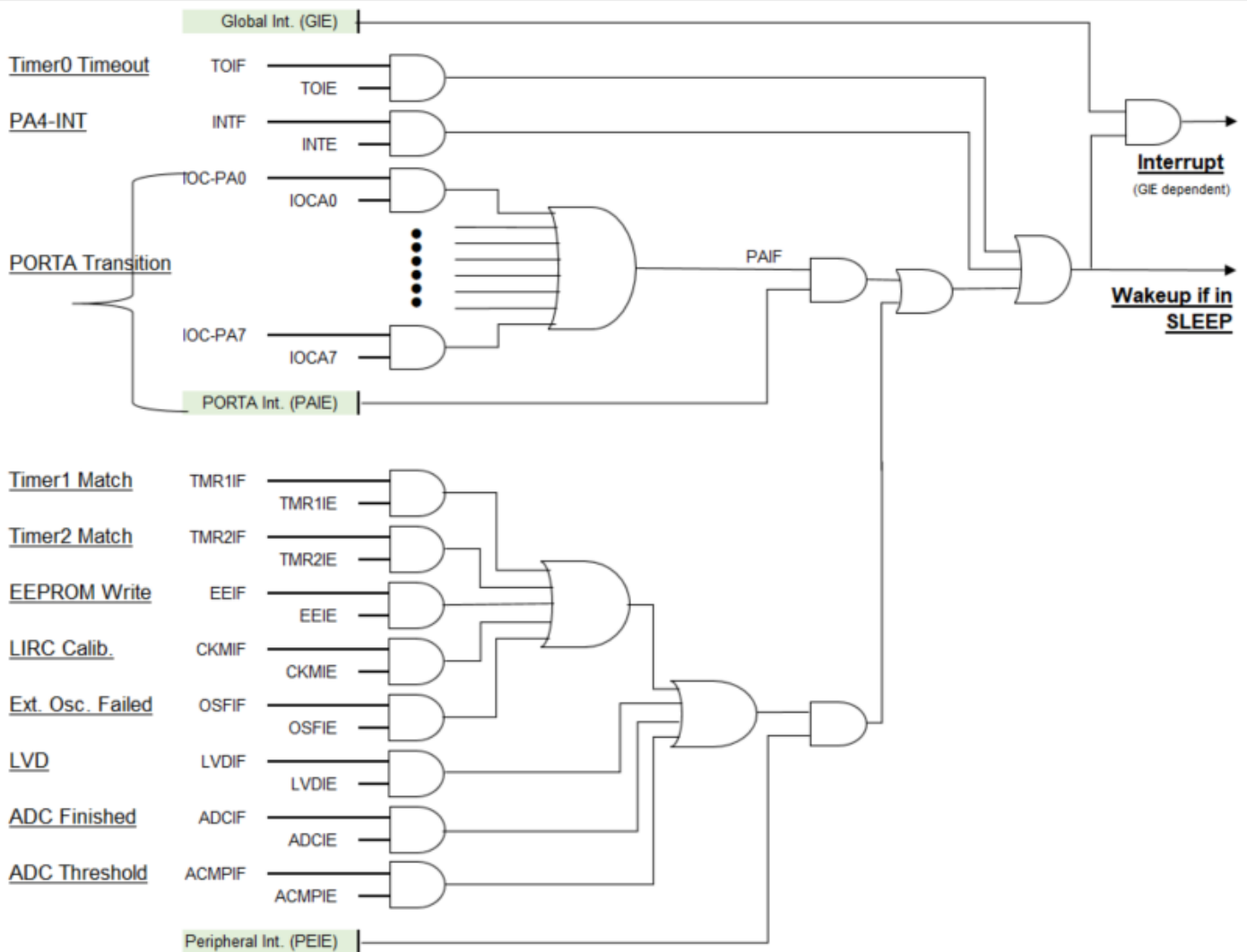
The situations Wake-up from sleep as follows:

1. Watchdog Timer Wake-up if enabled (see [Section 7.1](#) Watchdog Timer).
2. Full-Reset and System-Reset
 - POR Full-Reset (cannot be disabled)
 - External System-Reset by the /MCLR if enabled
 - LVR Reset if enabled
3. Enabled Interrupts (Disabling the “Global Interrupt Enable” will not stop Wake-up). Please see [Section 9](#) Interrupts.

Notes:

1. Waking up will also clear WDT.

9. INTERRUPTS



Note: Instruction Clock stops during sleep, only peripherals that do not select the Instruction Clock as the clock source can wake the device from sleep.

Figure 9-1 Interrupt Block Diagram

The CPU supports 15 sources of Interrupt in 2 groups:

- 1) Non-Peripherals (Timer0 and I/O)
 - Timer0 Overflows
 - PC1-INT (automatic rising or falling edge interrupt)
 - PORTA Interrupt-on-Change (software controlled)
- 2) Peripherals
 - Timer1 overflows
 - Timer2 matches PR2
 - DATA EEPROM Write Completion
 - LIRC and HIRC Cross Calibration Completion
 - Fail-Safe Clock Monitor

- Timer1 capture/compare
- ADC Conversion Completion
- Comparator1/comparator2 output changed
- Timer3/ Timer4/ Timer5 matches

WDT overflows, unlike other Timers, will not result in an Interrupt. For other interrupts besides external I/O interrupts please see the corresponding chapters.

In an Interrupt the PC jumps to and executes the “Interrupt Service Routine (ISR)”. There are multiple levels of Interrupt Disable/Enable.

- Each interrupt source has a local interrupt enable: T0IE, INTE, IOCAx, TMRxIE(x=1,2,3,4,5), EEIE, CKMEAIE, CxIE(x=1,2), OSFIE, ADIE, CCP1IE
- The 8 PAX Interrupt Inputs have a group PORT interrupt enable: PAIE (PORTA Interrupt Enable)
- The Peripheral interrupts has a master interrupt enable: PEIE (PERipheral Interrupt Enable).
- All controls above, if disabled, will not execute a Wake-Up from SLEEP.
- All interrupts are controlled by a global enable: GIE (Global Interrupt Enable). This enable differs from the others by allowing a Wake-Up from SLEEP even when disabled.
- Disabling the interrupts does not affect the setting of the interrupt flags.
- Timer0 and Timer2 interrupt can not wake up CPU from SLEEP.

The following sequences occur upon an Interrupt:

- Automatic set “GIE = 0”, disabling further interrupts.
- The return address is pushed onto the stack and the PC (program counter) is loaded with 0x0004.
- Jump to the “Interrupt Service Routine” 1 – 2 instruction cycles after the interrupt.
- “Return from Interrupt (RETI)” instruction exits ISR. Prior to RETI must clear the interrupt flag currently being processed.
- At the completion of the ISR, the PC returns to the address before the interrupt, which in SLEEP, is the address immediate after SLEEP.
- Automatic set GIE = 1 upon executing RETI, enabling future interrupts.

Note: Only the return PC is saved on the stack during an interrupt. Users desiring to have other registers (e.g., W and STATUS) saved must use instructions to write them into temporary registers explicitly. Use the last 16 bytes of SRAM for temporary storages as they are common to all banks and do not require bank swithing.

9.1 Summary of Interrupt Related Registers

Name	Address	bit 7	bit 6	bit 5	bit 4	bit 3	bit 2	bit 1	bit 0	Reset (RW)
INTCON	0x0B	GIE	PEIE	TOIE	INTE	PAIE	TOIF	INTF	PAIF	0000 0000
PIE1	0x8C	EEIE	CKMEAIE	-	C2IE	C1IE	OSFIE	TMR2IE	TMR1IE	0000 0000
PIR1	0x0C	EEIF	CKMEAIF	-	C2IF	C1IF	OSFIF	TMR2IF	TMR1IF	0000 0000
PIE2	0x8D	-	-	-	-	-	-	ADIE	CCP1IE	---- --00
PIR2	0x0D	-	-	-	-	-	-	ADIF	CCP1IF	---- --00
PWM3CR0	0x10F	P3INTS	P3PER[2:0]			P3CKSRC[2:0]			P3BZR	0000 0000
PWM3CR1	0x110	P3EN	P3POL	TMR3PS[2:0]			TMR3ON	TMR3IE	TMR3IF	0000 0000
PWM4CR0	0x115	P4INTS	P4PER[2:0]			P4CKSRC[2:0]			P4BZR	0000 0000
PWM4CR1	0x116	P4EN	P4POL	TMR4PS[2:0]			TMR4ON	TMR4IE	TMR4IF	0000 0000
PWM5CR0	0x11B	P5INTS	P5PER[2:0]			P5CKSRC[2:0]			P5BZR	0000 0000
PWM5CR1	0x11C	P5EN	P5POL	TMR5PS[2:0]			TMR5ON	TMR5IE	TMR5IF	0000 0000
OPTION	0x81	/PAPU	INTEDG	T0CS	T0SE	PSA	PS2	PS1	PS0	1111 1111
TRISA	0x85	PORTA direction select								1111 1111
IOCA	0x96	Interrupt on PORTA Logic-Changes								0000 0000

Table 9-1 Interrupt Related Register Addresses and Default

Name	Status	Register	Addr.	Reset
GIE	Global Interrupt 1 = Enables (PEIE, local settings applies) 0 = <u>Global Disables</u> (Wake-Up not affected)	INTCON[7]	0x0B 0x8B 0x10B	RW-0
PEIE	Master Peripheral Interrupt 1 = Enables (local settings applies) 0 = <u>Disables</u> (no Wake-Up)	INTCON[6]		RW-0
TOIE	Timer0 Overflow Interrupt	INTCON[5]		RW-0
INTE	PC1-INT External Interrupt	INTCON[4]		RW-0
PAIE	PORTA Interrupt-on-Change	INTCON[3]		RW-0
TOIF	Timer0 Overflow Interrupt?	INTCON[2]		RW-0
INTF	PC1-INT External Interrupt?	INTCON[1]		RW-0
PAIF	PORTA Interrupt-on-Change?	INTCON[0]		RW-0

Table 9-2 INTCON register

Name	Status	Register	Addr.	Reset
EEIE	EE Write Completed Interrupt	PIE1[7]	0x8C	RW-0
CKMEAIE	LIRC Calibration Completed Interrupt	PIE1[6]		RW-0
C2IE	Comparator2 Interrupt	PIE1[4]		RW-0
C1IE	Comparator1 Interrupt	PIE1[3]		RW-0
OSFIE	External Oscillator Failed Interrupt	PIE1[2]		RW-0
TMR2IE	Timer2 matched PR2 Interrupt	PIE1[1]		RW-0
TMR1IE	Timer1 overflows interrupt	PIE1[0]		RW-0
ADIE	ADC Conversion Finished Interrupt	PIE2[1]	0x8D	RW-0
CCP1IE	CCP1 capture/matches interrupt	PIE2[0]		RW-0

Table 9-3 PIE1 register

Name	Status	Register	Addr.	Reset
EEIF	EEPROM Write operation completed?	PIR1[7]	0x0C	RW-0
CKMEAIF	LIRC Calibration completed?	PIR1[6]		RW-0
C2IF	Comparator2 interrupt?	PIR1[4]		RW-0
C1IF	Comparator1 interrupt?	PIR1[3]		RW-0
OSFIF	External Oscillator Failed interrupt?	PIR1[2]		RW-0
TMR2IF	Timer2 matching PR2 interrupt?	PIR1[1]		RW-0
TMR1IF	Timer1 overflows interrupt?	PIR1[0]		RW-0
ADIF	ADC Conversion Finished interrupt?	PIR2[1]	0x0D	RW-0
CCP1IF	CCP1 capture/matches interrupt?	PIR2[0]		RW-0

Table 9-4 PIR1 register

Name	Status	Register	Addr.	Reset
P3INTS	Timer3 interrupt select bit	PWM3CR0[7]	0x10F	RW-0
P4INTS	Timer4 interrupt select bit	PWM4CR0[7]	0x115	RW-0
P5INTS	Timer5 interrupt select bit	PWM5CR0[7]	0x11B	RW-0
TMR3IE	Timer3 interrupt enable bit	PWM3CR1[1]	0x110	RW-0
TMR4IE	Timer4 interrupt enable bit	PWM4CR1[1]	0x116	RW-0
TMR5IE	Timer5 interrupt enable bit	PWM5CR1[1]	0x11C	RW-0
TMR3IF	Timer3 interrupt flag	PWM3CR1[0]	0x110	RW-0
TMR4IF	Timer4 interrupt flag	PWM4CR1[0]	0x116	RW-0
TMR5IF	Timer5 interrupt flag	PWM5CR1[0]	0x11C	RW-0

Table 9-1 Timer3/4/5 Interrupt register

Name	Status	Register	Addr.	Reset
/PAPU	<u>PORTA Pull-Up</u> 1 = <u>Global Disables</u> 0 = Enables WPUA settings	OPTION[7]	0x81	RW-1
INTEDG	<u>PC1 Interrupt Edge</u> 1 = <u>Rising</u> 0 = <u>Falling</u>	OPTION[6]		RW-1
TRISA	<u>PORTA I/O Digital Output (Direction)</u> 1 = <u>Input (Disables Digital Output)</u> 0 = Disables Pull-Up/Down	TRISA[7:0]	0x85	RW-11111111
IOCA	<u>PORTA Interrupt-on-Change</u> 1 = Enables 0 = <u>Disables</u>	IOCA[7:0]	0x96	RW-00000000

Table 9-2 OPTION, TRISA and IOCA registers

9.2 PC1-INT and PORTA Interrupt-on-Change

Name	PC1-INT	PORTA Logic-Changes
Channel(s)	PC1 only	PA0 – PA7 (up to 8 channels)
I/O Setup	TRISC[1] = 1; ANSEL[4] = 0; CMCON0[2:0] = 111	TRISA[x] = 1; ANSEL[x] = 0; CMCON0[2:0] = 111
Other settings	INTEDG, INTE, GIE, INTF	IOCA, PAIE, GIE, PAIF
Trigger	either Rising or Falling, not both	0 → 1 or 1 → 0
Software Monitoring?	No	Required

Table 9-3 Differences between PC1-INT and PORTA Interrupt-on-Change

PC1-INT and PORTA Interrupt-on-Change are the external I/O interrupts. PC1 can be as both. PC1-INT will run unsupervised in the background once setup properly. PORTA Interrupt-on-Change will need continuous software monitoring. For PORTA Interrupt-on-Change:

1. Latches Input Register into an Interrupt-On-Change latch (READ PORTA).
2. When input logic level changes, the difference in Input Register and latched data will set PAIF.
3. Latching Input Register will update compare reference, and if done immediately after PAIF is set have the effect of removing the Interrupt-On-Change trigger condition. PAIF can be instruction cleared when the Interrupt-On-Change condition is no longer valid.

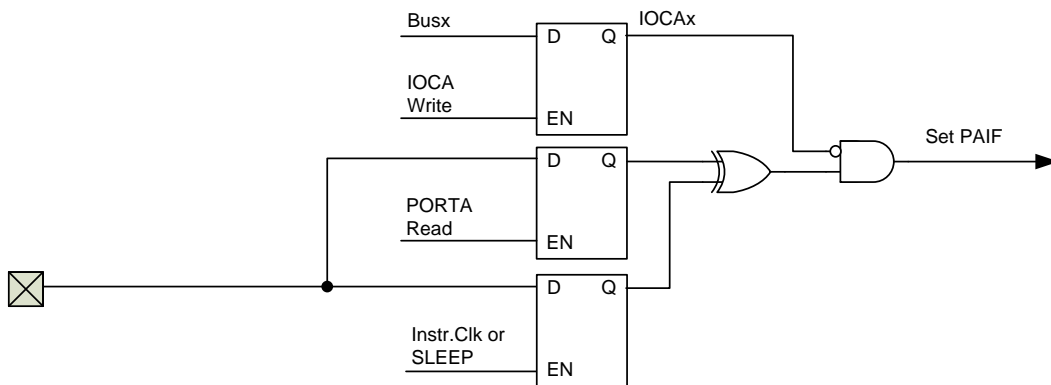


Figure 9-2 PORTA Transition interrupts

10. Enhanced Capture /Compare/PWM Module

The Enhanced Capture/Compare/PWM module is a peripheral which allows the user to time and control different events.

- Capture mode: In Capture mode, the peripheral allows the timing of the duration of an event
- Compare mode: The Compare mode allows the user to trigger an external event when a predetermined amount of time has expired.
- PWM mode (Enhanced): Single Output, Half-bridge, Full-bridge (Forward/Reverse mode).

ECCP	Timer
Capture	Timer1 (must operating in timer mode or synchronous counter mode)
Compare	Timer1 (must operating in timer mode or synchronous counter mode)
PWM (Enhanced)	Timer2

Table 10-1 Timer source of different ECCP modes

10.1 Summary of ECCP Related Registers

Name	Addr.	bit7	bit6	bit5	bit4	bit3	bit2	bit1	bit0	Reset	
T1CON	0x10	T1GINV	TMR1GE	T1CKPS[1:0]		T1OSCEN	T1SYNC	TMR1CS	TMR1ON	0000 0000	
T2CON	0x12	-	TOUTPS[3:0]				TMR2ON	T2CKPS[1:0]		-000 0000	
TMR1L	0x0E	Least Significant Byte of the 16-bit TIMER1 Register								xxxx xxxx	
TMR1H	0x0F	Most Significant Byte of the 16-bit TIMER1 Register								xxxx xxxx	
TMR2	0x11	Timer 2 count result register								xxxx xxxx	
PR2	0x92	PR2 period register								1111 1111	
CCPR1L	0x13	Least Significant Byte of the ECCP1 register								xxxx xxxx	
CCPR1H	0x14	Most Significant Byte of the ECCP1 Register								xxxx xxxx	
CCP1CON	0x15	P1M[1:0]		DC1B[1:0]		CCP1M[3:0]				0000 0000	
PWM1CON	0x16	PRSEN	PDC[6:0]								0000 0000
ECCPAS	0x17	ECCPASE	ECCPAS[2:0]			PSSAC[1:0]		PSSBD[1:0]		0000 0000	
PWM1AUX	0x90	AUX1EN	P1OS	P1FOE	P1EOE	P1DOE	P1COE	P1BOE	P1AOE	0000 0000	

Table 10-2 ECCP Related Register Addresses and Default

Name	Status		Register	Addr	Reset
TMR1L	Least Significant Byte of the 16-bit TIMER1 Register		TMR1L[7:0]	0x0E	RW-0000 0000
TMR1H	Most Significant Byte of the 16-bit TIMER1 Register		TMR1H[7:0]	0x0F	RW-0000 0000
CCPR1L	Least Significant Byte of the ECCP1 register		CCPR1L[7:0]	0x13	RW-xxxx xxxx
CCPR1H	Most Significant Byte of the ECCP1 Register		CCPR1H[7:0]	0x14	RW-xxxx xxxx
CCP1M	<u>ECCP Mode Select bits</u>			CCP1CON[3:0]	RW-0000
	Value	Mode	Description		
	0000	Off	Resets ECCP module		
	0001/0011	Unused	(Unused)		
	0100	Capture mode (Caputer pin CCP1)	every falling edge		
	0101		every rising edge		
	0110		every 4th rising edge		
	0111		every 16th rising edge		
	0010	Compare mode (Matches)	CCP1 toggle output on match		
	1000		CCP1 output high		
	1001		CCP1 output low		
	1010		CCP1 pin is unaffected		
	1011		trigger special event (CCP1 pin is unaffected)		
	1100	PWM mode	P1A, P1C active-high; P1B, P1D active-high		
	1101		P1A, P1C active-high; P1B, P1D active-low		
1110	P1A, P1C active-low; P1B, P1D active-high				
1111	P1A, P1C active-low; P1B, P1D active-low				

Table 10-3 ECCP Capture/Compare/PWM mode register

Name	Status	Register	Addr	Reset		
TMR2	Timer 2 count result register	TMR2[7:0]	0x11	RW-0000 0000		
PR2	PR2 period register	PR2[7:0]	0x92	RW-1111 1111		
DC1B	PWM Duty Cycle Least Significant bits (CCP1M = 11xx)	CCP1CON[5:4]	0x15	RW-00		
CCPR1L	Most Significant Byte of the PWM Duty Cycle	CCPR1L[7:0]	0x13	RW-xxxx xxxx		
CCPR1H	Most Significant Byte of the PWM Duty Cycle Latch	CCPR1H[7:0]	0x14	RO-xxxx xxxx		
P1M	<u>PWM Output Configuration bits (CCP1M = 11xx)</u>		CCP1CON[7:6]	0x15	RW-00	
	00	Single output				P1A modulated; P1B, P1C, P1D assigned as port pins
	01	Full-bridge output forward				P1D modulated; P1A active; P1B, P1C inactive
	10	Half-bridge output				P1A, P1B modulated with dead-band control; P1C, P1D assigned as port pins
	11	Full-bridge output reverse				P1B modulated; P1C active; P1A, P1D inactive
Note: CCP1M ≠ 11xx, P1A assigned as Capture/Compare input; P1B, P1C, P1D assigned as GPIO;						
PRSEN	<u>PWM Restart enable bit</u> 1 = Enables (Upon auto-shutdown, ECCPASE clears automatically) 0 = Disables (Upon auto-shutdown, ECCPASE cleared by software)		PWM1CON[7]	0x16	RW-0	
PDC	<u>PWM Deadband Delay (Half-Bridge Mode)</u> Deadband = PDC[6:0] x Instruction clock		PWM1CON[6:0]		RW-000 0000	
ECCPASE	<u>PWM Auto-Shutdown Event Status bit</u> 1 = A shutdown event has occurred; ECCP outputs are in shutdown state 0 = <u>ECCP outputs are operating</u>		ECCPAS[7]	0x17	RW-0	
ECCPAS	<u>ECCP Auto-shutdown Source Select bits</u> 000 = <u>Auto-Shutdown is disabled</u> 001 = Comparator 1 output high (C1OUT) 010 = Comparator 2 output high (C2OUT) 011 = Either Comparator 1 or 2 output high 100 = VIL on INT pin 101 = VIL on INT pin or Comparator 1 output high 110 = VIL on INT pin or Comparator 2 output high 111 = VIL on INT pin or Comparator 1 or 2 output high		ECCPAS[6:4]		RW-000	
PSSAC	<u>Pins P1B and P1D Shutdown State Control bits</u> 00 = <u>Drive pins P1A and P1C to '0'</u> 01 = Drive pins P1B and P1D to '1' 1x = Tri-state		ECCPAS[3:2]		RW-00	

Name	Status	Register	Addr	Reset
PSSBD	<u>Pins P1B and P1D Shutdown State Control bits</u> 00 = Drive pins P1B and P1D to '0' 01 = Drive pins P1B and P1D to '1' 1x = Tri-state	ECCPAS[1:0]		RW-00
AUX1EN	<u>PWM1 auxiliary function enable bit (Half-Bridge mode)</u> 1 = Enables 0 = Disables	PWM1AUX[7]	0x90	RW-0
P1OS	<u>PWM One-pulse output (AUX1EN=1)</u> 1 = Enables (Automatically stoped after PWM output one-pluse, P1x as GPIO) 0 = Disables (PWM continuous output)	PWM1AUX[6]		RW-0
P1FOE	P1F output	PWM1AUX[5]		RW-0
P1EOE	P1E output	PWM1AUX[4]		RW-0
P1DOE	P1D output	PWM1AUX[3]		RW-0
P1COE	P1C output	PWM1AUX[2]		RW-0
P1BOE	P1B output	PWM1AUX[1]		RW-0
P1AOE	P1A output	PWM1AUX[0]	RW-0	

Table 10-4 Instruction Level PWM(Enhanced) Related Control Registers

Name	Status	Register	Addr.	Reset
GIE	<u>Global Interrupt</u> 1 = Enables (PEIE, TMR1IE applies) 0 = Global Disables (Wake-Up not affected)	INTCON[7]	0x0B 0x8B 0x10B	RW-0
PEIE	<u>Master Peripheral Interrupt</u> 1 = Enables (CCP1IE applies) 0 = Disables (no Wake-Up)	INTCON[6]		RW-0
CCP1IE	<u>CCP1 Capture/Matches Interrupt control</u> 1 = Enables 0 = Disables (no Wake-Up)	PIE2[0]	0x8D	RW-0
CCP1IF	<u>CCP1 Capture/Matches Interrupt?</u> 1 = Yes (latched) 0 = No	PIR2[0]	0x0D	RW-0

Table 10-5 ECCP Interrupt Enable and Status Bits

¹ P1OS = 1, this bit will be cleared automatically in the next PWM period;

10.2 Capture Mode

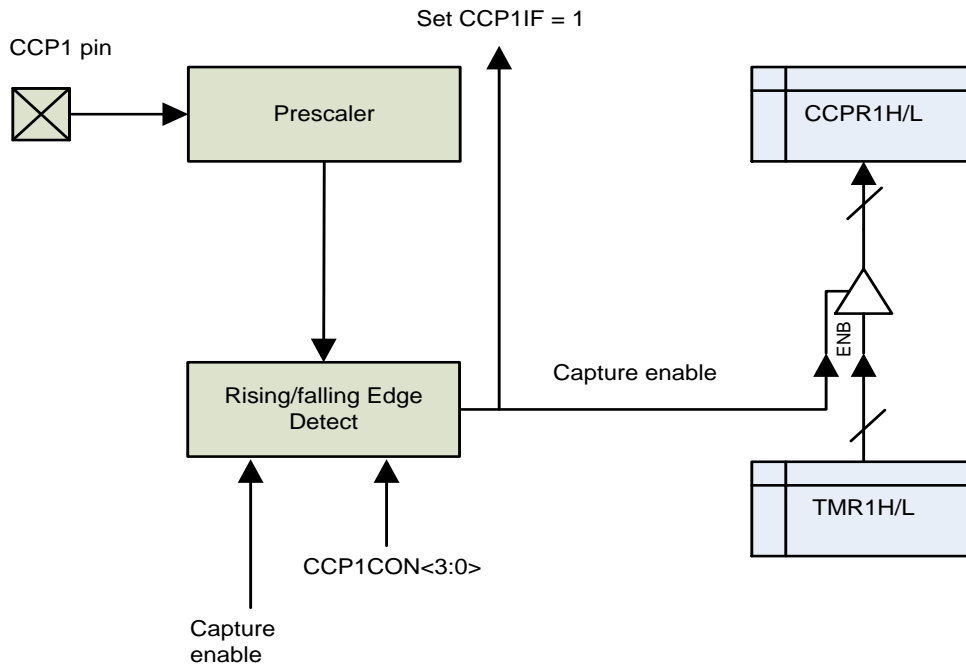


Figure 10-1 Capture mode block diagram

In Capture mode, CCPR1H:CCPR1L captures the 16-bit value of the TMR1 register when an event occurs on pin CCP1. An event is defined as one of the following and is configured by the CCP1M<3:0> bits of the CCP1CON register:

- Every falling edge
- Every rising edge
- Every 4th rising edge
- Every 16th rising edge

When a capture is made, the Interrupt Request Flag bit CCP1IF of the PIR1 register is set. The interrupt flag must be cleared in software. Depends on the enable controls (GIE, PEIE and CCPIE) it may result in an AWAKE from SLEEP and/or Interrupt.

Note:

1. In Capture mode, the CCP1 pin should be configured as an input, If the CCP1 pin is configured as an output, a write to the PORTC[5] can cause a capture condition;
2. If another capture occurs before the value in the CCPR1H, CCPR1L register pair is read, the old captured value is overwritten by the new captured value;
3. When the Capture mode is changed, a false capture interrupt may be generated. The user should set CCP1M=0000 to turn off ECCP module to avoid false interrupts. Turn off ECCP module, any Reset or switching to other mode will clear the capture prescaler.

10.3 Compare Mode

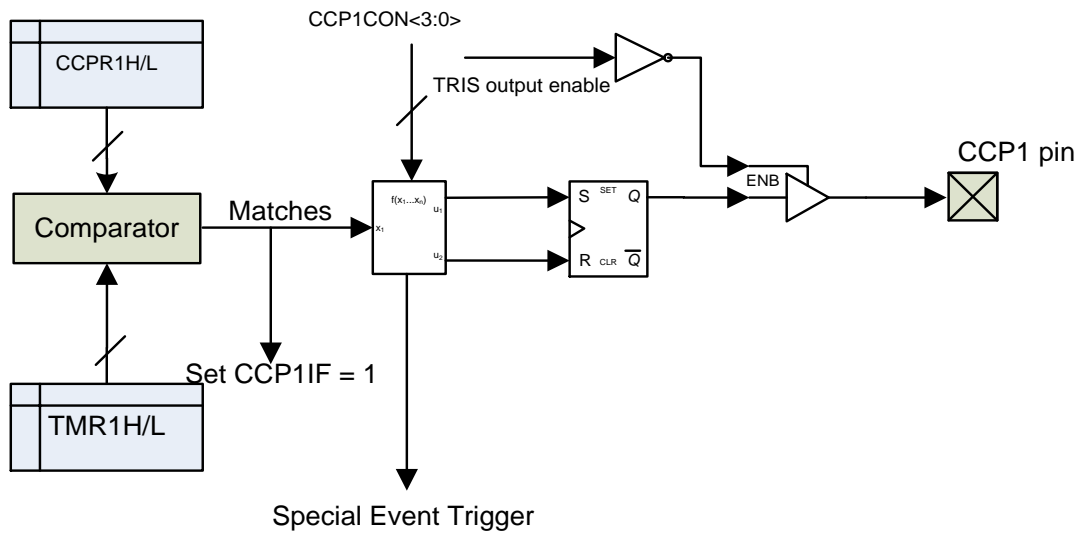


Figure 10-2 Compare mode block diagram

In Compare mode, the 16-bit CCPR1 register value is constantly compared against the TMR1 register pair value. When a match occurs, the CCP module may (see “CCP1M”):

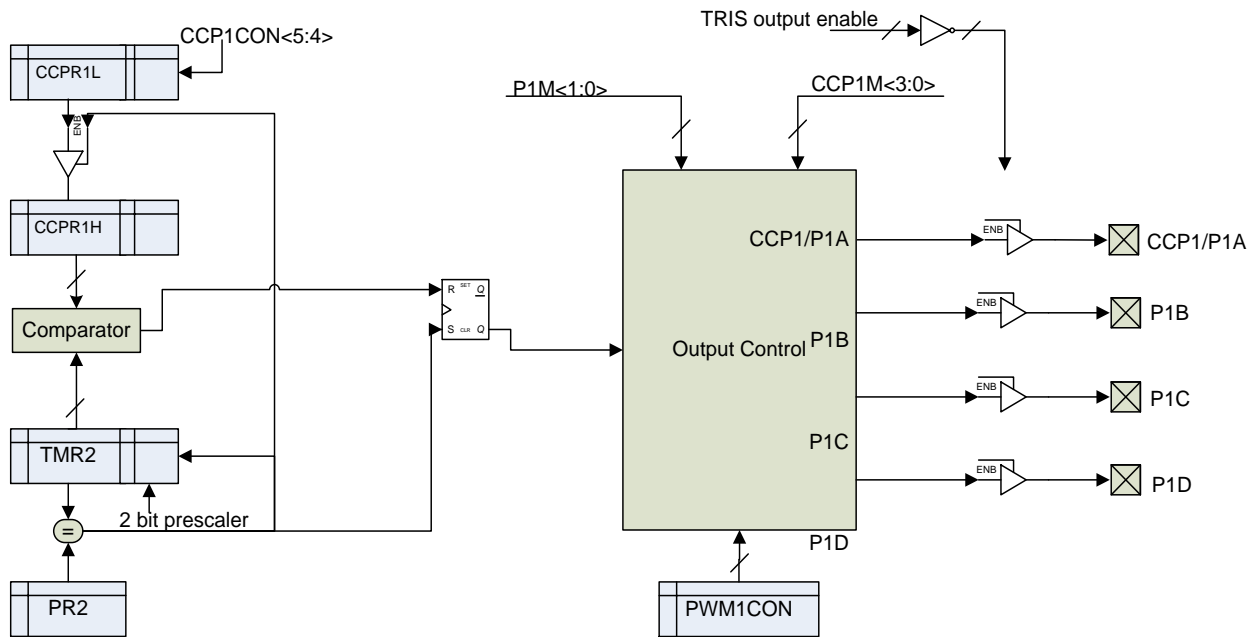
- Toggle the CCP1 output
- Set the CCP1 output
- Clear the CCP1 output
- CCP1 pin is unaffected
- Generate a Special Event Trigger (CCP1 pin is unaffected)
 - TMR1H:TMR1L cleared (TMR1IF will not be set “1”)
 - Starts an ADC conversion if ADC is enabled

An Interrupt flag (CCP1IF) is set. Depends on the enable controls (CCP1IE, GIE and PEIE) it may result in an AWAKE from SLEEP and/or Interrupt.

Note:

1. The user must configure the CCP1 pin(PC5) as an output in compare mode;
2. The TMR1H, TMR1L register pair is not reset until the next rising edge of the Timer1 clock. This allows the CCPR1H, CCPR1L register pair to effectively provide a 16-bit programmable period register for Timer1;
3. If TMR1H:TMR1L write operation and ECCP special event trigger simultaneous occur, the write operation has the higher priority .

10.4 PWM Enhanced Mode



Note: The 8-bit timer TMR2 register is concatenated with 2 bits of the prescaler, to create the 10-bit time base.

Figure 10-3 Enhanced PWM block diagram

Enhanced PWM features:

- Single PWM: P1A
- Half-Bridge PWM:
 - Deadband control with complementary output: P1A, P1B
 - Auxiliary function (3 pairs of deadband control with complementary output, one-pulse PWM output): P1A, P1B, P1C, P1D, P1E, P1F
- Full-Bridge PWM (Forward, Reverse): P1A, P1B, P1C, P1D
- 10-bit resolution ratio
- PWM output polarity selectable
- Auto-Shutdown mode, Auto-Restart Mode

Timer2 will be disabled in SLEEP mode and will retain the value before entering SLEEP.

Note:

1. Timer2 can be used for enhanced PWM mode or LIRC measurement, but not both.

10.4.1 Period

The PWM period is specified by the PR2 register of Timer2. The PWM period can be calculated using the Equation of [Equation 10-1](#):

Equation 10-1 $PWM\ Period = (PR2 + 1) * 4 * T_{T2CK} * (TMR2\ prescaler\ value)$ (T2CK is Timer2 clock)

When TMR2 is equal to PR2, the following three events occur on the next increment cycle:

1. TMR2 is cleared (0x00);
2. The PWM duty cycle is latched from CCPR1L into CCPR1H;
3. PWM channel P1A~P1D is set or cleared depended on its polarity.

10.4.2 Duty Cycle

The PWM duty cycle is specified by (CCPR1L, DC1B), CCPR1L is the 8 MSbs, DC1B is the 2 LSbs. CCPR1L and DC1B can be written to at any time because the Double buffered designed

The PWM pulse width and duty cycle are calculated by:

Equation 10-2 $Pulse\ Width = (CCPR1L:DC1B) * T_{T2CK} * (TMR2\ prescaler\ value)$

Equation 10-3 $Duty\ Cycle\ ratio = (CCPR1L:DC1B) \div (4 * (PR2 + 1))$

10.4.3 PWM Output

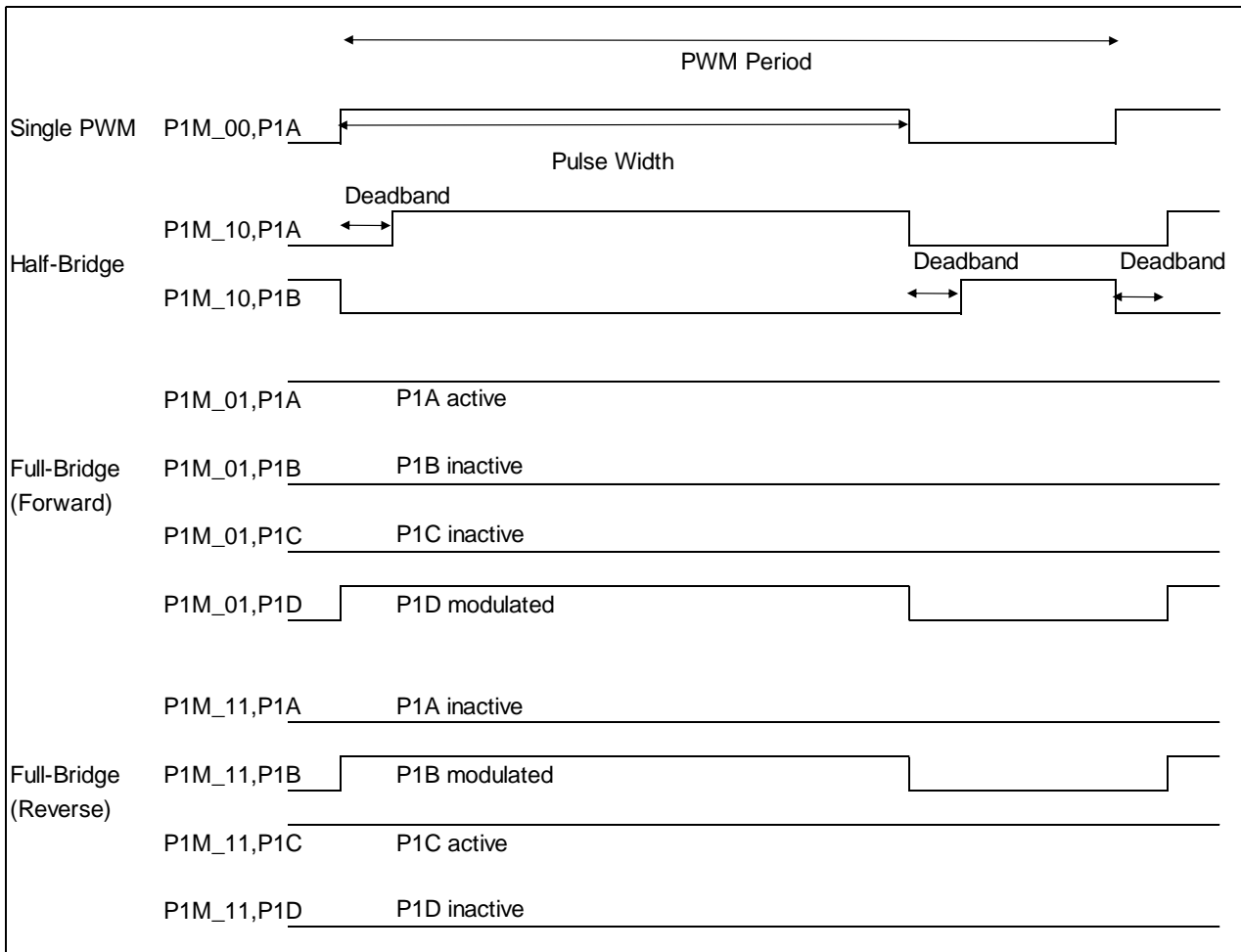


Figure 10-4 Example PWM Output relationships (P1A~P1D active high)

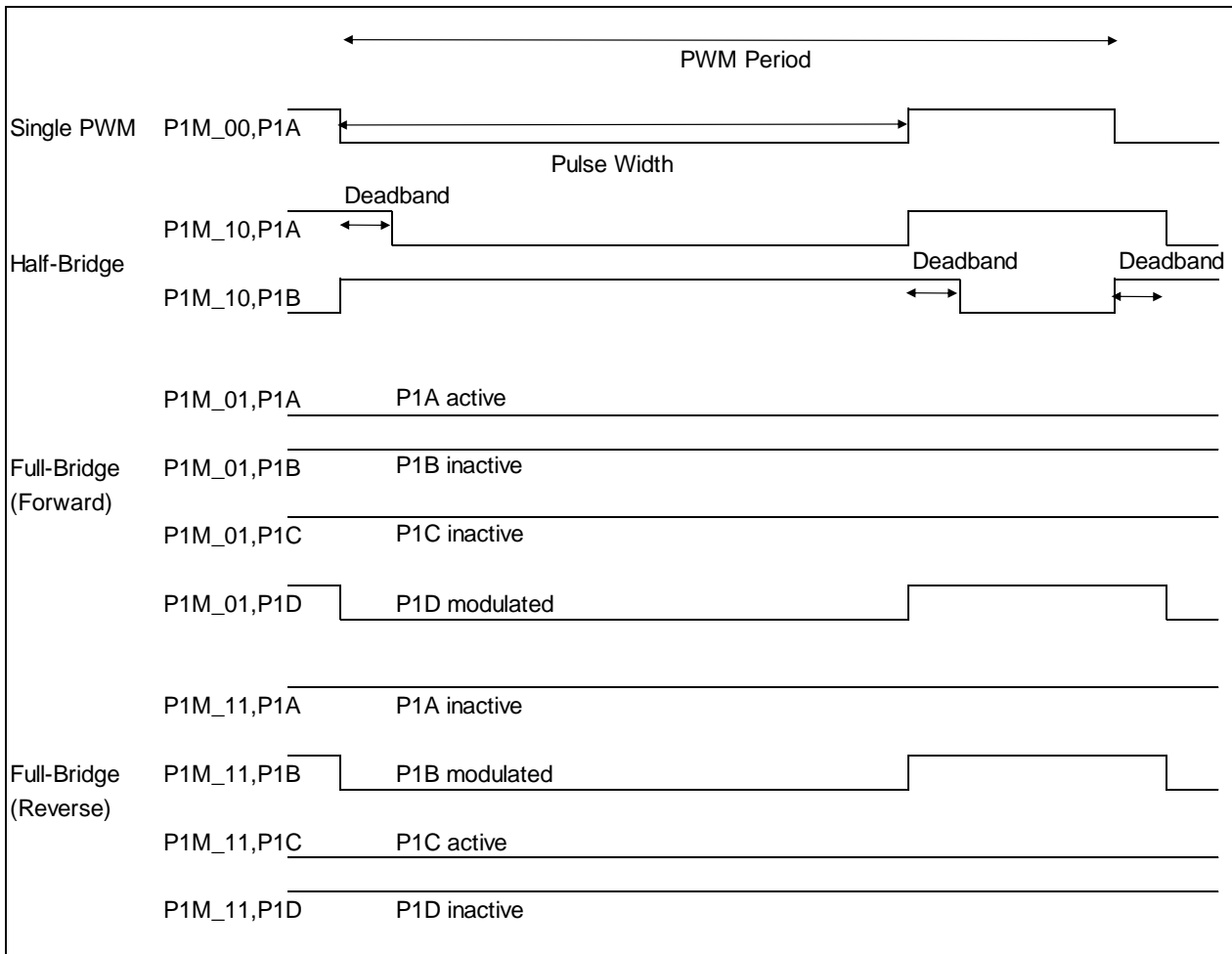


Figure 10-5 Example PWM Output relationships (P1A~P1D active low)

Single PWM — 1 PWM channel P1A;

Half-Bridge PWM — The 2 independent Deadband control with complementary PWM channels P1A and P1B. In Half-Bridge mode, the programmable dead-band delay can be used to prevent shoot-through current in half-bridge power devices (see “PDC”). Full-Bridge can be driven by add 4* NMOS or 2*PMOS and 2*NMOS. See [Figure 10-6](#), [Figure 10-7](#) and [Figure 10-8](#)

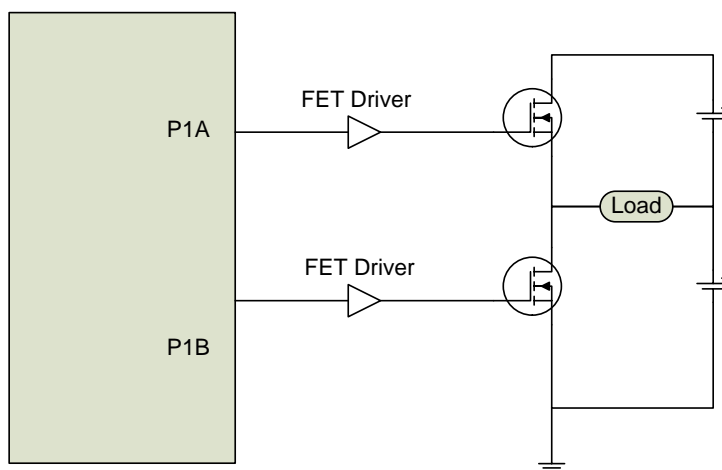


Figure 10-6 Standard Half-Bridge Circuit (Push-Pull, P1A~P1B active high)

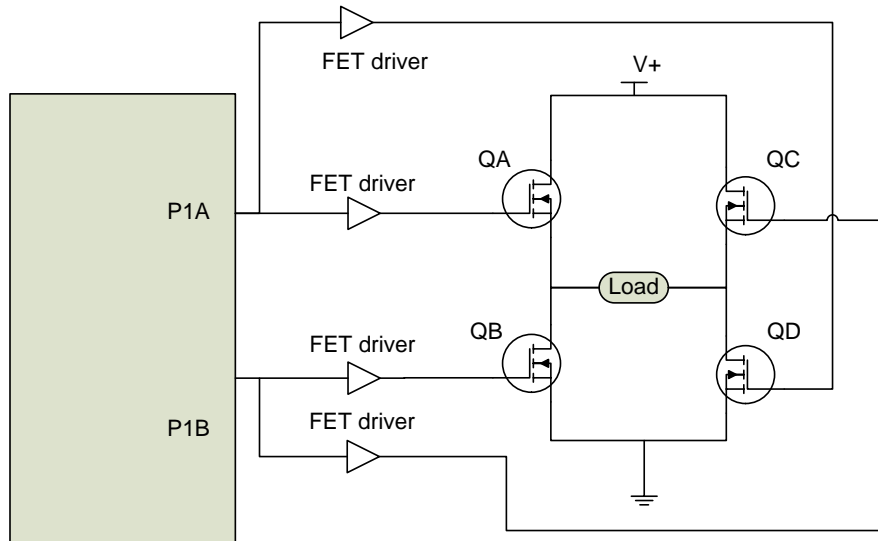


Figure 10-7 Half-Bridge Output Driving a Full-Bridge Circuit (4NMOS, P1A~P1B active high)

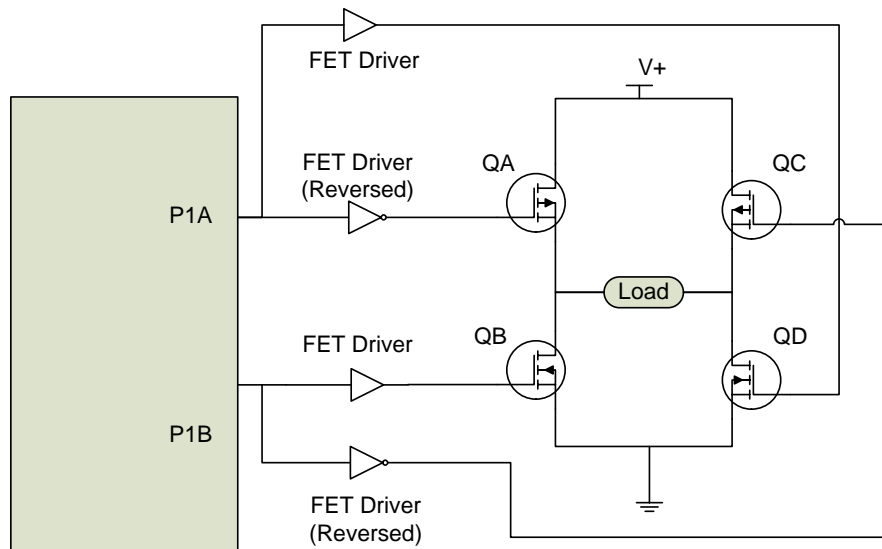


Figure 10-8 Half-Bridge Output Driving a Full-Bridge Circuit (2PMOS+2NMOS, P1A~P1B active high)

Full-Bridge PWM (Forward, Reversed) — 4 PWM channel P1A, P1B, P1C, P1D. See [Figure 10-9](#).

In the Full-Bridge mode, the P1M register allows users to control the forward/reverse direction. When the application firmware changes this direction control bit, the module will change to the new direction on the next PWM cycle. The modulated P1B and P1D signals are inactive at this time. The length of this time is $4 \cdot T_{T2CK}$, Circuit example see [Figure 10-10](#). Output wave see [Figure 10-11](#)

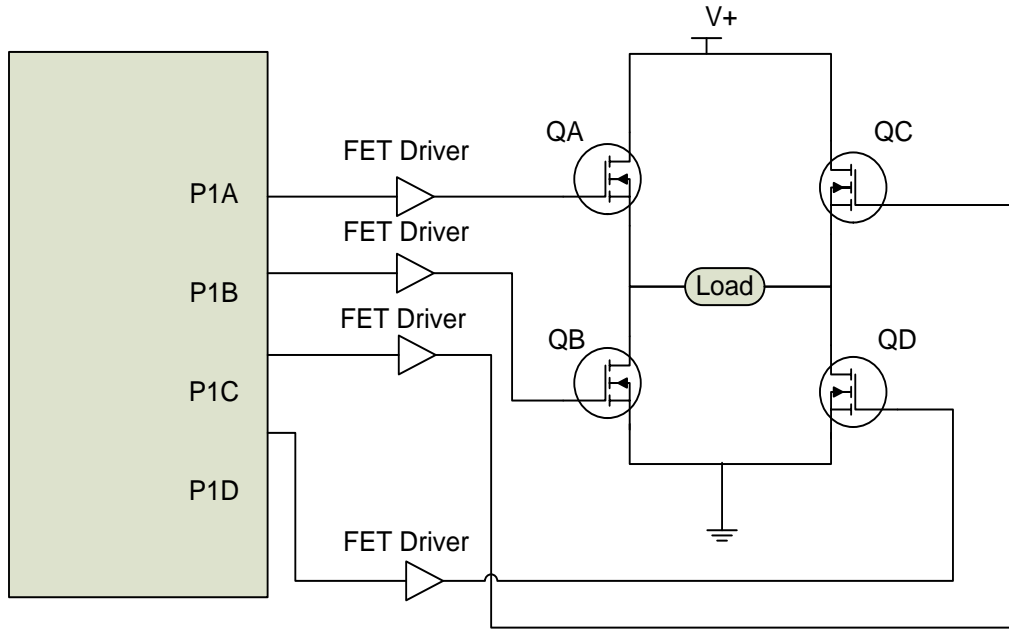


Figure 10-9 Example of Full-Bridge Application (4NMOS, P1A~P1D active high)

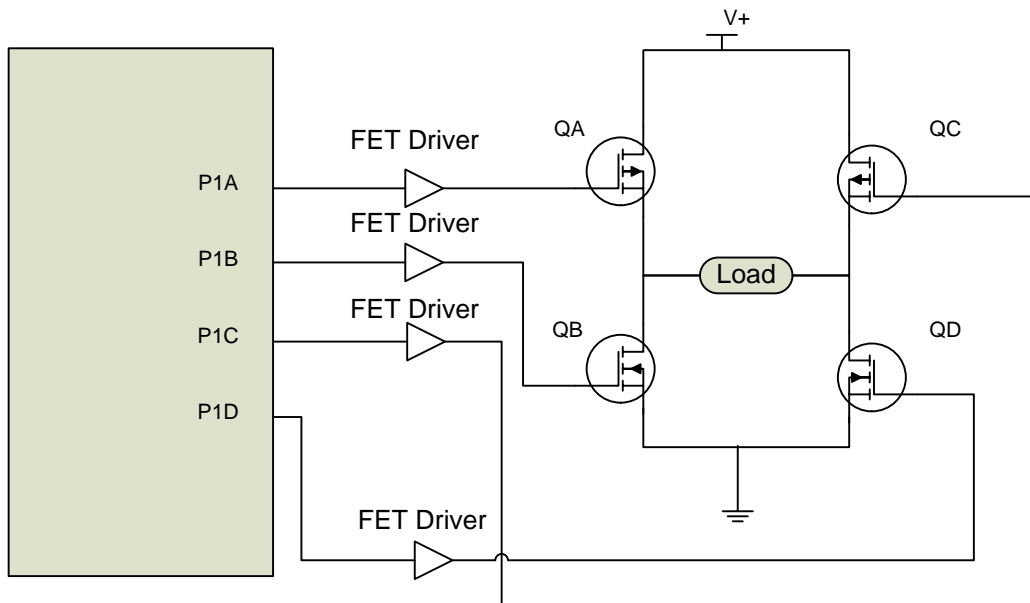


Figure 10-10 Example of Full-Bridge Application (2 PMOS+2NMOS, P1A and P1C active low, P1B and P1D active high)

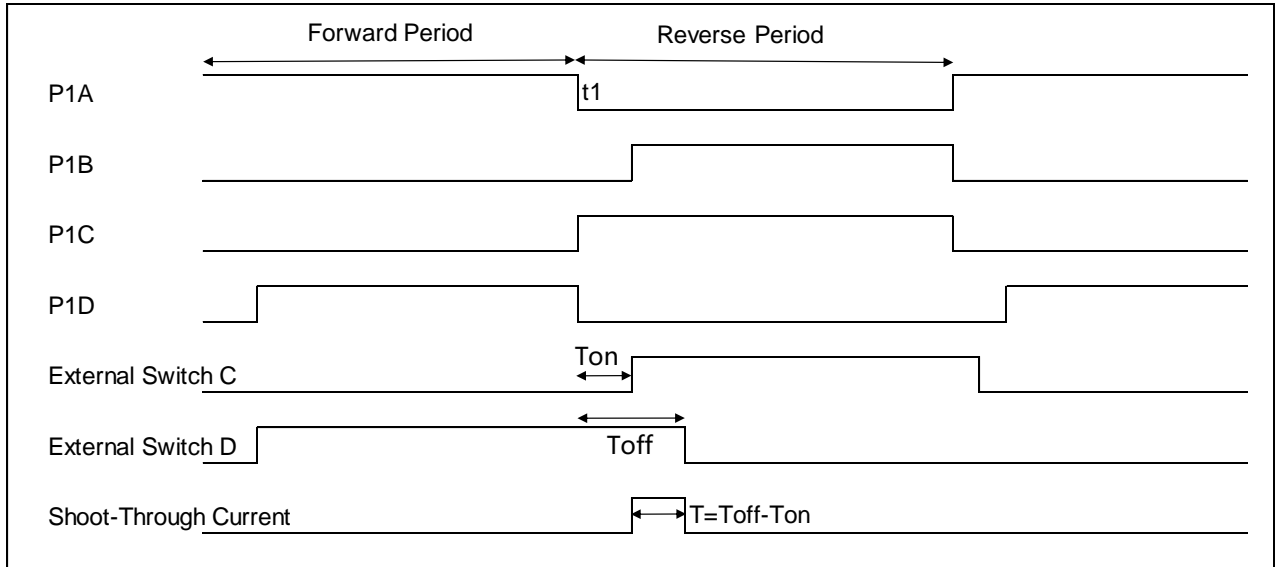


Figure 10-11 Full-Bridge PWM Output (P1A and P1C active low,P1B and P1D active high)

The Full-Bridge mode does not provide dead-band delay. As one output is modulated at a time, dead-band delay is generally not required. There is a situation where dead-band delay is required. This situation occurs when both of the following conditions are true:

1. The direction of the PWM output changes when the duty cycle of the output is at or near 100%.
2. The turn off time of the power switch, including the power device and driver circuit, is greater than the turn on time.

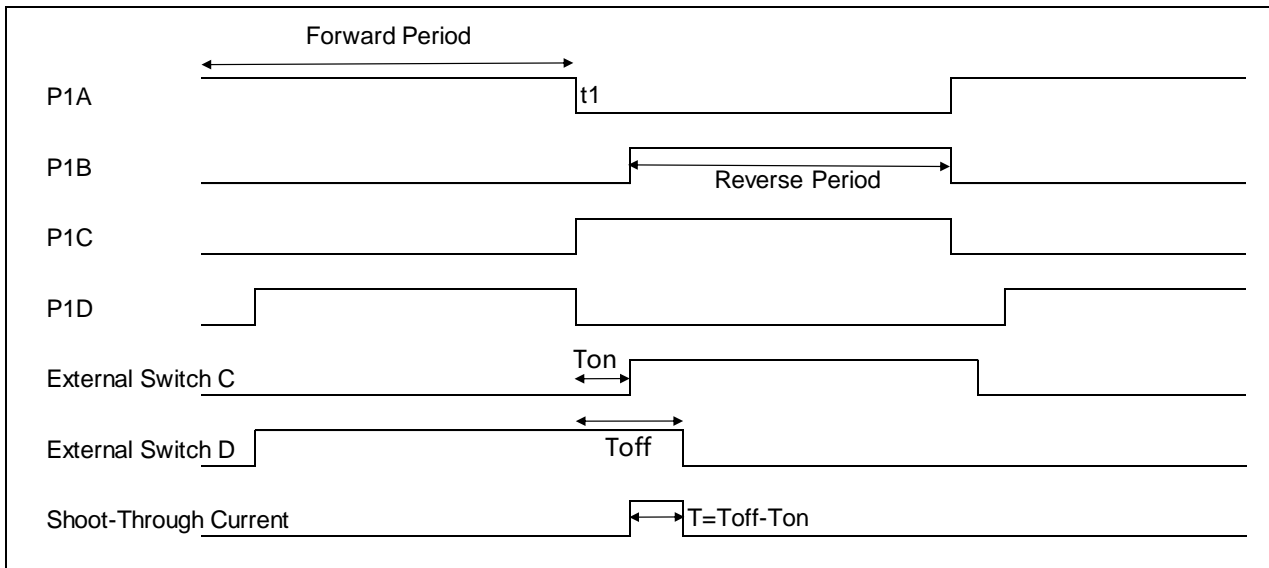


Figure 10-12 Example of PWM direction change at near 100% duty cycle (P1A~P1D active high)

Figure 10-12 shows an example of the PWM direction changing from forward to reverse, at a near 100% duty cycle. In this example, at time t1, the output P1A and P1D become inactive, while output P1C becomes active. Since the turn off time(Toff) of the power devices is longer than the turn on time(Ton), a shoot-through current will flow through power devices QC and QD (see **Figure 10-9**) for the duration of "T (Toff-Ton)". The same phenomenon will occur to power devices QA and QB for PWM direction change from reverse to forward.

If changing PWM direction at high duty cycle is required for an application, two possible solutions for eliminating the shoot-through current are:

1. Reduce PWM duty cycle for one PWM period before changing directions.
2. Use switch drivers that can drive the switches off faster than they can drive them on.

10.4.4 PWM Auto-Shutdown and Auto-Restart

Enhanced PWM support Auto-Shutdown and Auto-Restart(See"PRSEN").

The PWM mode supports an Auto-Shutdown mode that will disable the PWM outputs when an external shutdown event occurs. ECCP Auto-shutdown Source (See "ECCPAS[2:0]"):

- Comparator 1 output high (C1OUT)
- Comparator 2 output high (C2OUT)
- Either Comparator 1 or 2 output high
- VIL on INT pin
- VIL on INT pin or Comparator 1 output high
- VIL on INT pin or Comparator 2 output high
- VIL on INT pin or Comparator 1 or 2 output high

When a shutdown event occurs, two things happen:

1. The ECCPASE bit is set to '1'. The ECCPASE will remain set until cleared in firmware or an auto-restart occurs
2. Each PWM output pin pair may be placed into one of three states: (See "PSSAC", "PSSBD"):
 - Drive logic '1'
 - Drive logic '0'
 - Tri-state (high-impedance)

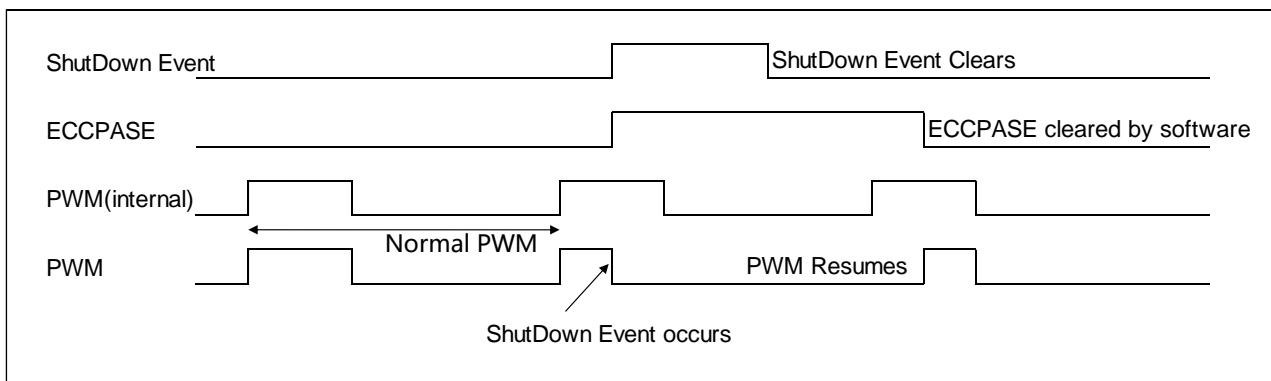


Figure 10-13 PWM Auto-Shutdown, not Auto-Restart

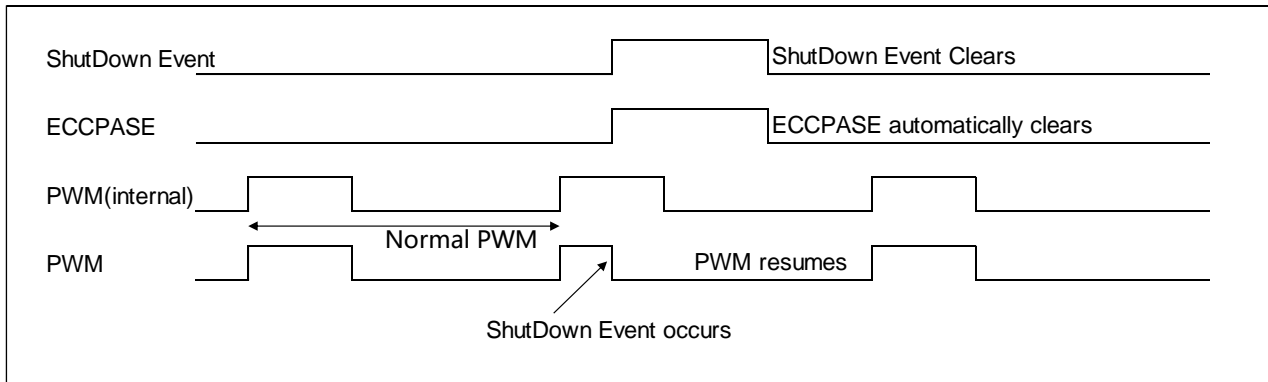


Figure 10-14 PWM Auto-Shutdown, Auto-Restart

Note:

1. The auto-shutdown condition is a level-based signal, not an edge-based signal. As long as the level is present, the auto-shutdown will persist;
2. When the auto-shutdown condition is effective, PWM stop output but Timer2 keep running, PWM resume immediately when auto-shutdown condition removed
3. The ECCPASE bit will remain set and can not be cleared by software as long as the auto-shutdown condition is active.
4. Once the auto-shutdown condition has been removed:
 - If Auto-Restart is enabled (PRSEN=1), ECCPASE cleared by hardware, PWM output auto-restart.
 - If Auto-Restart is disabled (PRSEN=0), ECCPASE must be cleared by software to restart PWM output.
5. Shutdown state is indicated by ECCPASE bit of ECCPAS register. If ECCPASE = 0, PWM outputs are operating, if ECCPASE = 1, PWM output shutdown.

10.4.5 PWM Auxiliary Function

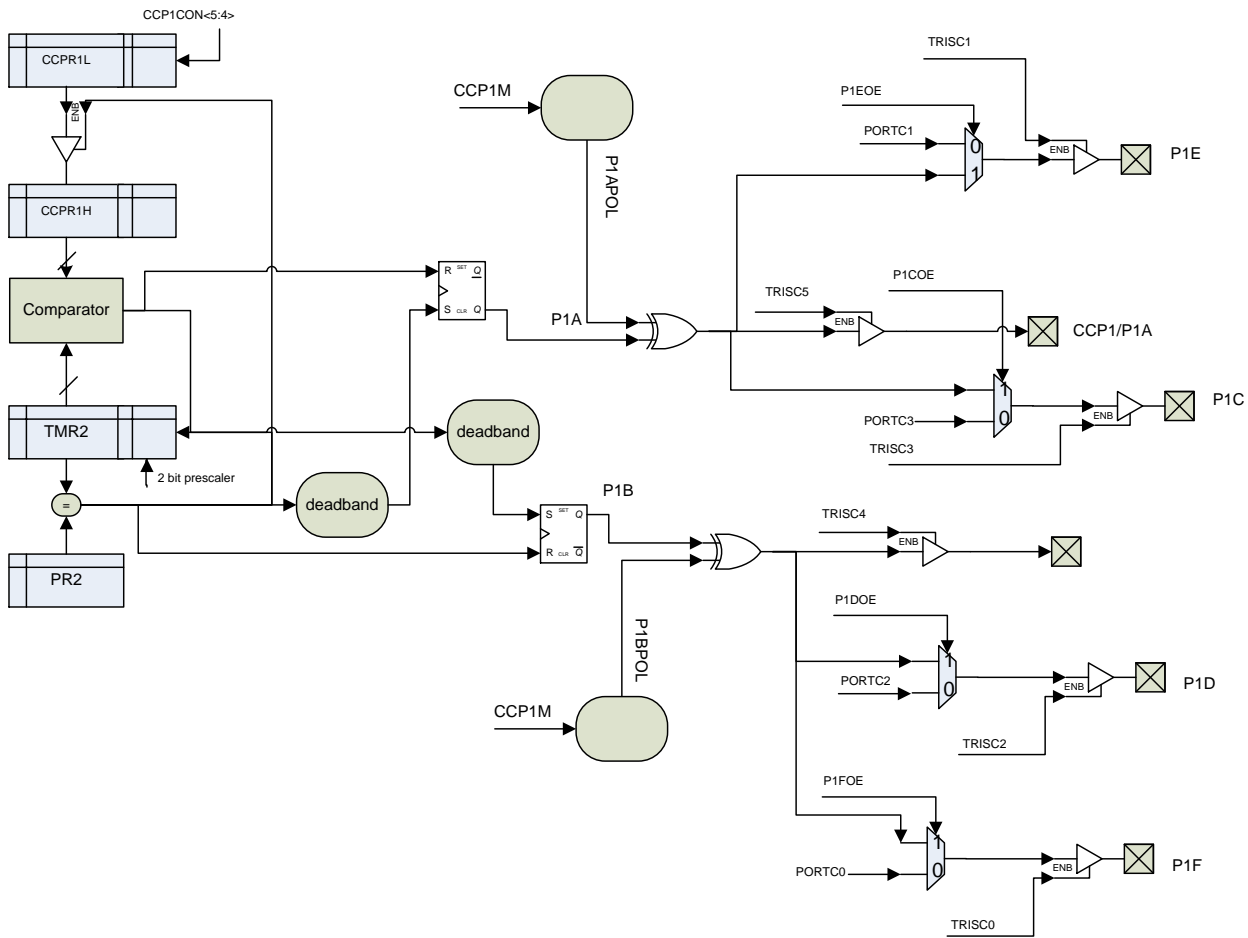


Figure 10-15 PWM auxiliary output block diagram

Loding the PWM1AUX register with the appropriate values, enhanced PWM which operating in half-bridge mode can do:

- Up to 3 pairs of 6 PWM signals complementary output with deadband control at the same time (P1xOE=1): P1A, P1B, P1C, P1D, P1E, P1F;
- One-pulse mode (P1OS=1, P1xOE=1): Automatically shuts down PWM output and clear P1xOE bit after output one PWM signal,;
- Configurable output polarity (See “CCP1M”).

Note:

1. P1A and P1B are first pair of complmentary half-bridge PWM output with deadband control, the other 2 pairs P1C and P1D, P1E and P1F have the same wave with the first pair, see [Figure 10-16](#);
2. It should be noted that that in this mode, P1xOE will be cleared when PWM output one pluse, PWM counter will keep counting, if software set P1xOE (x can be A~F) again, then pin P1x(x can be A~F) will output a PWM waveform in the next PWM cycle, see [Figure 10-17](#).

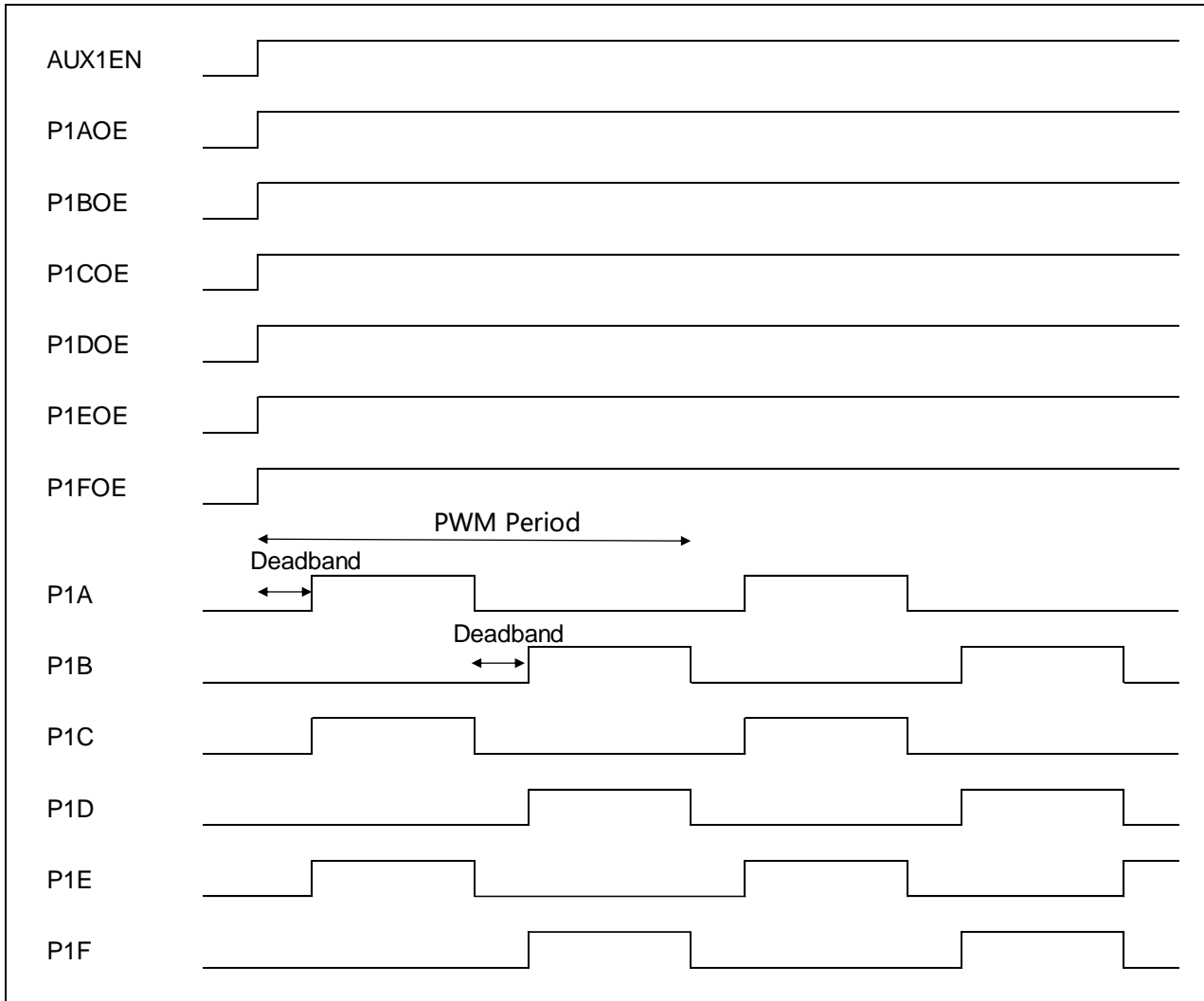


Figure 10-16 3 pairs of PWM Output (Auxiliary Function)

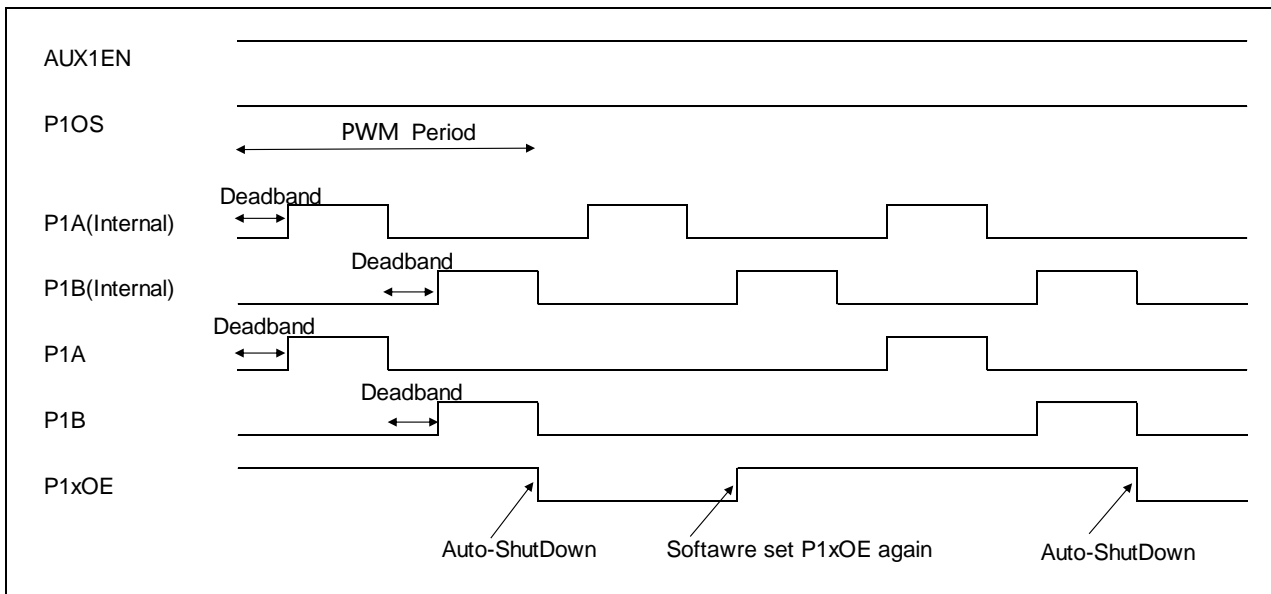


Figure 10-17 PWM one-pulse output (Auxiliary Function)

10.4.6 PWM Configure Procedure

1. Disable the PWM pin (CCP1) output driver by setting the associated TRIS bit. The circuit must connect with the appropriate pull-up/pull-down resistor to turn off power switches
2. Set the PWM period by loading the PR2 register. (See “PR2”)
3. Configure the ECCP module for the PWM mode , and select output mode and polarity.(See “P1M”, “CCP1M”);
4. Set the PWM duty cycle. (See “CCPR1L”, “DC1B”)
5. Configure and start Timer2:
 - Clear the TMR2IF interrupt flag bit of the PIR1 register.
 - Set the Timer2 prescale value. (See “T2CKPS”)
 - Select Timer2 clock source.(See “T2CKSRC”)
 - Enable Timer2 by setting the TMR2ON bit of the T2CON register.
6. Enable PWM output after a new PWM cycle has started:
 - Wait until Timer2 overflows (TMR2IF bit of the PIR1 register is set).
 - Configure PWM1AUX, set AUX1EN bit, other bits configured according to application
 - The PWM pin should be configured as digital input by setting TRISx = 1

Enable the CCP1 pin output driver by clearing the associated TRIS bit. le the PWM pin (CCP1) output driver by setting the associated TRIS bit.

Note:

1. Changing the polarity configuration while the PWM pin output drivers are enabled is not recommended since it may result in damage to the application circuits.
2. It can not stop PWM output by turn off ECCP mode because the I/O is in output mode and the value is uncertain. Two methods to stop PWM output:
 - a. The PWM pin configured as digital input by setting TRISx = 1 and connect pull-up/pull-down resistor.
 - b. Set ECCPASE = 1, ECCPAS[2:0] ≠ 000, shutdown ECCP output.

11. DATA EEPROM

FT61EC2x has a 256 x 8-bit non-volatile DATA EEPROM memory array separately from the main program. The array has a typical R/W endurance of 100k cycles. It is R/W accessible by instructions. One byte (8-bit) is written or read. There is no page mode. Erase/program is self-timed, eliminating instruction queries and saving limited code space. This allows WRITE to take place in the background while the CPU runs unhindered, or even to enter SLEEP.

READ takes two instruction clock cycles, whereas WRITE takes $T_{WRITE-EEPROM}$ (2 ~ 4 ms if Auto-Erase is enabled, 0.7 ~ 1.3 ms if Auto-Erase is disabled). There is an on-chip charge pump so there is no need to supply an external high voltage for erase and program. An interrupt flag is set when WRITE finishes.

There is no sequential READ or sequential WRITE. The address must be updated every time.

Any voltage above V_{POR} , which can be as low as 1.5V from die to die and at high temperature, will be able to run the CPU at 8MHz, 2T. The $V_{DD-WRITE}$ for writing DATA EEPROM is higher. Minimum $V_{DD-WRITE}$ is 1.9V and 2.2V for Temperature Grade 2 and Grade 1 respectively. Reading DATA EEPROM has no such minimum V_{DD} restriction (see $V_{DD-READ}$).

11.1 Summary of DATA EEPROM Related Registers

Name	Status	Register	Addr.	Reset
EEDAT	DATA EEPROM data	EEDAT[7:0]	0x9A	RW-0000 0000
EEADR	DATA EEPROM address	EEADR[7:0]	0x9B	RW-0000 0000
WREN3	<u>DATA EEPROM Write Enable</u> (bit 3) 111 = Enables, reset to 000 after finished (others) = <u>Disables</u>	EECON1[5]	0x9C	RW-0
WREN2	DATA EEPROM Write Enable (bit 2)	EECON1[4]		RW-0
WRERR	<u>DATA EEPROM Write Error?</u> 1 = Premature terminated (MCLR or WDT Reset) 0 = No	EECON1[3]		RW-x
WREN1	DATA EEPROM Write Enable (bit 1)	EECON1[2]		RW-0
RD	<u>DATA EEPROM Reading?</u> 1 = Yes (remains for 4 SysClk cycles, then = 0) 0 = <u>No</u>	EECON1[0]		RW-0
WR	<u>DATA EEPROM Write Busy?</u> 1 = Programming (reset to 0 after finished) 0 = <u>Finished</u>	EECON2[0]	0x9D	RW-0

Table 11-1 Instruction Level EEPROM Related Control Registers

Name	Status	Register	Addr.	Reset
GIE	Global Interrupt	INTCON[7]	0x0B 0x8B 0x10B 0x18B	RW-0
PEIE	Master Peripheral Interrupt	INTCON[6]		RW-0
EEIE	EEPROM program finished Interrupt	PIE1[7]	0x8C	RW-0
EEIF	EEPROM program finished Interrupt?	PIR1[7]	0x0C	RW-0

Table 11-2 EEPROM Interrupt Enable and Status Bits

11.2 Writing DATA EEPROM

1. Set “GIE = 0”;
2. If “GIE = 1”, then repeat (1);
3. Write target address to EEADR;
4. Write target data EEDAT;
5. Set “WREN3, WREN2, WREN1” = “1, 1, 1” and maintain throughout the programming.
6. Must immediate set “WR = 1” to initiate write (otherwise will abort).
7. After programming completed (see T_{WRITE-EEPROM} for write time), “WR = 0” and “WREN3, WREN2, WREN1” = “0, 0, 0” set automatically;

Program Example:

```

BCR INTCON, GIE
BTSC INTCON, GIE
LJUMP $-2
BANKSEL EEADR
LDWI 55H
STR EEADR           ; address is 0x55
STR EEDAT          ; data is 0x55
LDWI 34H
STR EECON1         ; set WREN3/2/1 at the same time
BSR EECON2, 0      ; start writing
BSR INTCON, GIE    ; set GIE
    
```

Note:

1. Data EEPROM Read while the array is still in programming will yield an incorrect result.
2. If any one of WREN3, WREN2 or WREN1 clears before programming is finished, EEIF flag should be cleared before the next programming.

11.3 Reading DATA EEPROM

Set EEADR register, then initiate read (“RD = 1”). Data will be available in the EEDAT register after 2 instruction cycles, a NOP must be inserted after the read request. The EEDAT will be unchanged until the next READ or WRITE instruction.

The following is an example on how to read the DATA EEPROM:

```
BANKSEL EEADR
LDWI dest_addr
STR EEADR
BSR EECON1, RD
NOP                ; Waiting to read
LDR EEDAT, W      ; Data is read by instruction
```

11.4 Auto-Erase Function

Writing data into a byte involves two steps: a byte erase followed by a byte program. Erase sets all the bits in the byte to “1” while program can selectively program individual bits to “0”. This device has a built in Auto-Erased function, where an erase always precede program. Except for high temperature it is recommended to turn on Auto-Erase.

If Auto-erase is enabled, Programming FF multiple times will erase the byte multiple times. However programming non-FF multiple times is the same as programming the byte once, as every time the bit programs it will be auto-erased first.

12. 10-bit ANALOG TO DIGITAL CONVERTER, ADC

The ADC converts an analog input signal to a 10-bit digital data. It can run at different clock speeds, and has a true 10-bit accuracy for clock speeds up to 1 MHz (or 60 kHz sampling rate, 16 μ s/sampling equivalent).

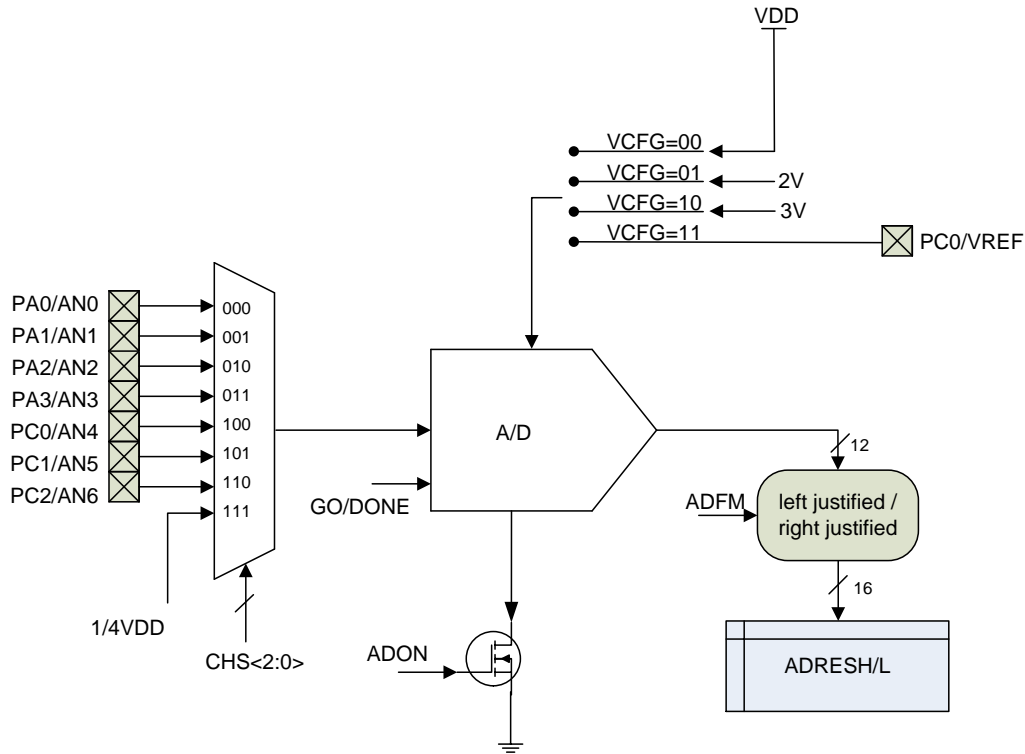


Figure 12-1 ADC block diagram

Analog Input can be one of 3 internal voltage references or any one of the 7 I/O. ADC can be triggered by an instruction or ECCP special event trigger. A delay can be added between triggering and ADC sampling.

The ADC can set interrupt flags upon completion of a conversion. The interrupt flags can be used to Wake-Up the CPU from SLEEP and/or executing an INTERRUPT.

The ADC voltage reference ($V_{ADC-REF}$) can be instructions selected to V_{DD} , one of 2 internal voltage references (2V, 3V), or an external voltage reference via an I/O.

The ADC runs in the background, freeing the CPU for other chores. It requires no calibration.

If ADC clock source is not the LIRC during SLEEP, ADC will turn off automatically.

If it is NOT software enabled, instruction GO/DONE will be ignored, GO/DONE will be updated by hardware.

There are three time points that an user need to pay attention to when using ADC when in high sampling rate situations.

1. When a channel starts sampling.
2. When sampling ends. This is the instance the voltage on the selected channel is to be measured.
3. When conversion data is ready.

12.1 Summary of ADC Related Registers

Name	Status	Register	Addr.	Reset
GIE	Global Interrupt 1 = Enables (PEIE, ADCIE apply) 0 = Global Disables (Wake-Up enable)	INTCON[7]	0x0B 0x8B 0x10B	RW-0
PEIE	Master Peripheral Interrupt 1 = Enables (ADCIE apply) 0 = Disables (no Wake-Up)	INTCON[6]		RW-0
ADIE	ADC Conversion Completed Interrupt 1 = Enables 0 = Disables (no Wake-Up)	PIE2[1]	0x8D	RW-0
ADIF	ADC Conversion Completed Interrupt? 1 = Yes (latched) 0 = No	PIR2[1]	0x0D	RW-0

Table 12-1 ADC Interrupt Enable and Status bits

Name	Status	Register	Addr.	Reset	
ADRESL	<u>ADC Conversion Result (LSB)</u> ADFM=0: ADRESL[7:6] = 2 LSB (rest are "0") ADFM=1: ADRESL[7:0] = 8 LSB	ADRESL[7:0]	0x9E	RW-xxxx xxxx	
ADRESH	<u>ADC Conversion Result (MSB)</u> ADFM=0: ADRESH[7:0] = 8 MSB ADFM=1: ADRESH[3:0] = 4 MSB (rest are "0")	ADRESH[7:0]	0x1E	RW-xxxx xxxx	
ADFM	<u>A/D Conversion Result Format (see "ADRESH")</u> 1 = Right justified 0 = Left justified	ADCON0[7]	0x1F	RW-0	
VCFG	$V_{ADC-REF}$ 00 = V_{DD} 01 = Internal 2V 10 = Internal 3V 11 = External Reference (I/O) ^(*) ^(*) Effective only when ANSEL[4] = 1;	ADCON0[6:5]		RW-00	
CHS	<u>ADC Input</u> 000 = AN0 001 = AN1 010 = AN2 011 = AN3 100 = AN4 101 = AN5 110 = AN6 111 = Internal 1/4 V_{DD} ^(*) ^(*) Effective only when ANSEL[7] = 1;	ADCON0[4:2]		RW-000	
GO/DONE	<u>ADC Conversion Start and Status</u> 1 = Start initiates by Software or ECCP (automatic clear upon completion) 0 = Completed / Not in progress	ADCON0[1]		RW-0	
ADON	1 = ADC Enables 0 = ADC Disables (consumes no current)	ADCON0[0]		RW-0	
DIVS	<u>ADC divide clock source select bit</u> 1 = LIRC 0 = Sysclk	ADCON1[7]		0x9F	RW-0

Name	Status	Register	Addr.	Reset	
ADCS	<u>ADC Conversion Clock Source</u> DIVS = 0 DIVS = 1 TSEL = 2T TSEL = 4T TSEL = 2T/4T 000 = Sysclk/2 000 = Sysclk/4 000 = LIRC/2 001 = Sysclk/8 001 = Sysclk/16 001 = LIRC/8 010 = Sysclk/32 010 = Sysclk/64 010 = LIRC/32 100 = Sysclk/4 100 = Sysclk/8 100 = LIRC/4 101 = Sysclk/16 101 = Sysclk/32 101 = LIRC/16 110 = Sysclk/64 110 = Sysclk/128 110 = LIRC/64 x11 = LIRC (*) x11 = LIRC (*) x11 = LIRC (*) (*) LIRC = 32kHz/256kHz, depend on LFMOD			ADCON1[6:4]	RW-000
	ANSEL	1 = Disables Pull-Up / Pull-Down, Digital Input (8 ADC ports only) 0 = (no action)	ANSEL[7:0]	0x91 RW-1111 1111	

Table 12-2 Instruction Level I/O related registers

Name	Addr.	bit 7	bit 6	bit 5	bit 4	bit 3	Bit 2	bit 1	bit 0	Reset
ADRESL	0x9E	A/D Result Register Low Byte								xxxx xxxx
ADRESH	0x1E	A/D Result Register High Byte								xxxx xxxx
ADCON0	0x1F	ADFM	VCFG<1:0>	CHS<2:0>			GO/DONE	ADON	0000 0000	
ADCON1	0x9F	DIVS	ADCS<2:0>			-			0000 ----	

Table 12-3 ADC related registers' addresses

12.1 ADC Configurations

Configuring the ADC involves setting (set ADON=0 to turn off triggering when changing configurations):

- Channel(s) selection
- ADC voltage reference
- ADC clock source
- Result formatting
- Triggering source
- Response (Interrupt settings)

Channel(s) Selection – The channel connected to the sample and hold circuit for ADC conversion is determined by the CHS register. The I/O should be configured as analog input by setting TRISx = 1 and ANSEL0x = 1.

ADC Voltage Reference (V_{ADC-REF}) – ADC measures the input analog voltage relative to two reference voltages: V_{REF+} and GND. The reference voltages can be

- VDD
- Internal voltage reference2V
- Internal voltage reference3V
- External voltage source (V_{REF} is PC0)

ADC Clock Selection –ADC has 13 instruction-selectable clock frequency (see “ADCS” in [Table 12-2](#)):

- DIVS = 0, SysClk/N (TSEL = 2T) or SysClk/2N(TSEL = 4T) or LIRC; N = 2, 4, 8, 16, 32, 64
- DIVS = 1, LIRC/N; N = 1, 2, 4, 8, 16, 32, 64
- LIRC (256 kHz or 32 kHz, see “LFMOD” in [Table 6-2](#))

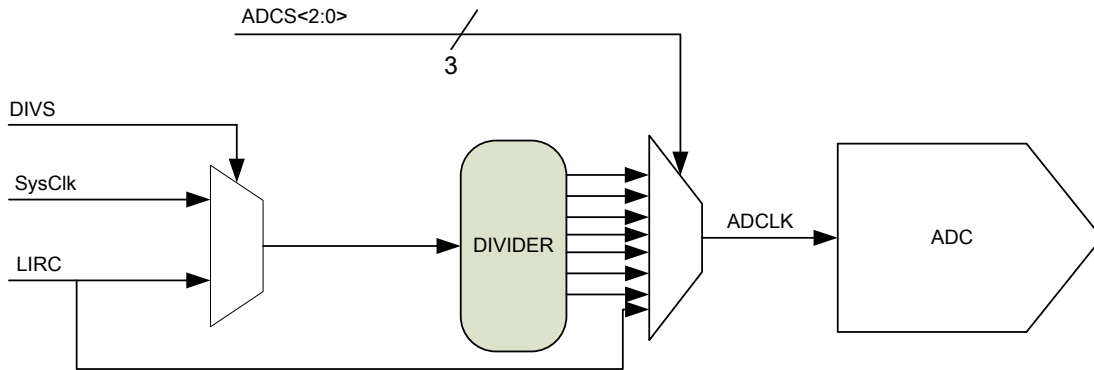


Figure 12-2 ADC clock configurations

Result formatting – A/D conversion result can be stored left or right justified (see “ADFM” in [Table 12-2](#)).

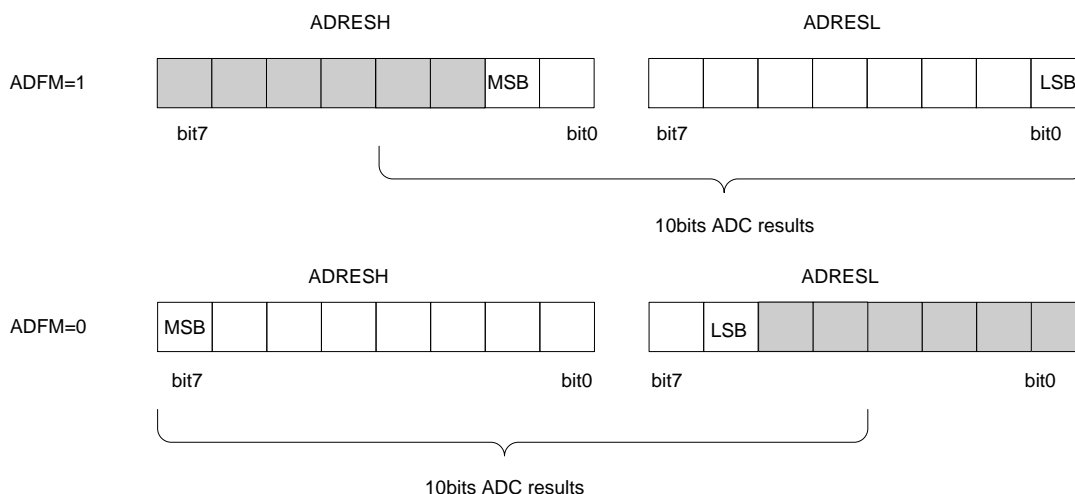


Figure 12-3 ADC conversion result format

12.1.1 ADC triggering

The ADC can be triggered by instruction (GO/DONE= 1) or ECCP special event trigger. GO/DONE is effective immediately if it is software written. If ADC triggered by ECCP special event, ADC conversion start automatically when TMR1H/L matches CCPR1H/L.

Note: Triggers arriving before the completion of ADC are ignored.

12.1.2 Aborting an ADC

Sometimes it needs to abortion an ADC. An example is to start a new ADC sampling.

- ADC can be aborted by software setting GO/DONE = 0.

- If ADC triggered by special event, the abortion must be done by disabling the ADC (ADON = 0)
- ADRESH and ADRESL are not update with the partially complete ADC conversion sample. It will retain the value of the previous conversion.
- A System-Reset will turn off the ADC module and ADC will abort, as registers reset.

12.1.3 Interrupt

Interrupt flag ADCIF is set to 1 when the ADC conversion is complete. Depends on the enable controls (GIE, PEIE and ADCIE) it may result in an AWAKE from SLEEP and/or Interrupt.

12.2 ADC Acquisition Time

The acquisition time, in this case the sample and hold time, must be long enough for the internal ADC voltage to be within 0.01% of the pad voltage to achieve 10 bits accuracy (0.097%). The relationship between acquisition time and external series resistance is as follow (Table 12-4):

$$T_{ACQ} > 0.09 \times (R + 1) \mu s; \text{ where } R \text{ is in } k\Omega.$$

For a T_{ACQ} of 2 μs , the external series resistance should be $\leq 21 k\Omega$. T_{ACQ} is proportional higher if a larger series resistance is used. The largest series resistance allowed is junction leakage limited. For a junction leakage of 5nA, there is 0.25mV (0.0125% for a 2V reference) voltage drop across a 50 $k\Omega$ series resistor. The junction leakage current could be substantially higher for temperature above 100°C. As a result a much smaller series resistance should be used.

Resistance	T_{ACQ}
> 50 $k\Omega$	(not recommended)
43 $k\Omega$	$\geq 4.0 \mu s$
21 $k\Omega$	$\geq 2.0 \mu s$
< 21 $k\Omega$	$\geq 2.0 \mu s$

Table 12-5 Minimum T_{ACQ} for different external series resistance

The sample and hold time is the time when the pad voltage is seen by the internal ADC.

Beginning of hold = end of channel switching (see “CHS”) or ADC ready (see T_{ST}), whichever is later.

End of hold = T_{SysClk} / N ¹ (N=2 for 2T, 4 for 4T) after the end of delay, at the moment the switch of the sample and hold circuit switches from close to open.

The sampling point = the instant right before the switch opens.

Conversion starts after the switch is opened, with data ready after a time of 13.5 – 14.5 T_{AD} . Hence from GO to data ready a time of 13.5 T_{AD} to 14.5 T_{AD} is required. The switch is re-closed after data is ready and the next cycle of sampling begins meanwhile, the switch have to remain closed for a minimum time T_{ACQ} to start A/D conversion again.

12.3 ADC Minimum Sampling Time

T_{AD} is the ADC clock period. A full 10-bit conversion takes at a minimum

¹ $T_{SysClk} / N = 0.125\mu s (16M/2T)$ or $0.250\mu s (16M/4T)$;

$$T_{ACQ} + 14.5 \times T_{AD}$$

The maximum conversion rate to guarantee a true 10-bit accuracy is 60 kHz (or ~16 μs per conversion).

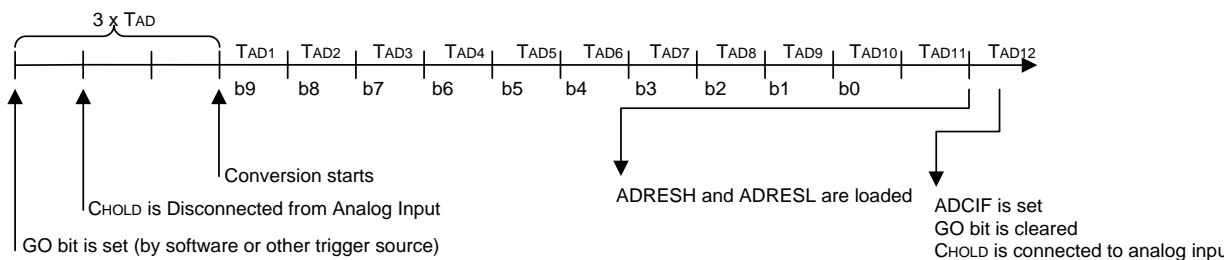


Figure 12-4 Analog to digital conversion T_{AD} period

12.4 Sample ADC Flow

Setting up the ADC:

1. Configure Port:
 - a. Disable pin output driver by setting $TRISx = 1$
 - b. Disable Digital Input, Weak Pull-Up and Weak Pull-Down by setting $ANSELx = 1$
2. Configure the ADC module:
 - a. Select ADC clock source
 - b. Select ADC voltage references
 - c. Select ADC trigger: GO/DONE or CCP1 special event trigger
 - d. Select data format
3. Configure ADC interrupt if necessary:
 - a. Enable ADC interrupt
 - b. Enable peripheral interrupt
 - c. Disable global interrupt (enable if Interrupt Service Routine is to be executed)
4. Turn on the ADC module. There is a ~15 μs setup time (T_{ST}) before the ADC is ready, and another setup time (T_{VRINT}) before the Internal voltage reference is ready if $V_{ADC-REF}$ choose it (see " T_{VRINT} ", [Section 18.7](#)), whichever is later.

The ADC is now ready to sample the different channels. To sample a channel:

1. Select the ADC input to be the channel measured (see "CHS").
2. Clear ADC interrupt flag(s) if necessary
3. There is a minimum required time, T_{ACQ} , to charge the ADC input capacitance to within 0.01% of the input pad voltage. Depending on the type of trigger, a delay may be required after switching channel or end of an ADC conversion, whichever is later, and the triggering.
 - a. For software trigger, an additional T_{ACQ} is required.
 - b. For ECCP special event trigger, an additional T_{ACQ} is required.
 - c. Same for PWM trigger.
5. After the required delay, set GO/DONE by instructions, or wait for hardware trigger to start conversion.

6. The completion of ADC can be find by:
 - a. Polling the GO/DONE
 - b. Waiting for the ADC interrupt (if enabled)
7. Read ADC Result
8. Clear the ADC or Threshold comparison interrupt flag if necessary.

Notes:

1. Although GO/DONE and ADON shares the same register, they should not be set simultaneously.
2. The configurations should not be changed during ADC conversion or awaiting external trigger.

The following is an ADC program example sampling PA0 and using LIRC as the ADC clock:

```
BANKSEL ADCON1
LDWI B'00110000'           ; ADC LIRC clock
STR ADCON1

BANKSEL TRISA
BSR TRISA, 0               ; Set PA0 to input
BANKSEL ANSEL
BSR ANSEL, 0              ; Set-PA0 to analog

BANKSEL ADCON0
LDWI B'10000001'         ; Right justify,
STR ADCON0                ; VDD, Vref, AN0, On

LCALL StableTime          ; ADC stable time
LCALL SampleTime         ; Acquisition delay, TACQ

BSR ADCON0, GO           ; Start conversion
BTSC ADCON0, GO          ; Conversion done?
LJUMP $-1                ; No, test again

BANKSEL ADRESH;
LDR ADRESH, W            ; Read upper 2 bits
STR RESULTHI             ; Store in SRAM space
BANKSEL ADRESL;
LDR ADRESL, W            ; Read lower 8 bits
STR RESULTLO             ; Store in SRAM space
```


13. COMPARATOR

FT61EC2x embeds two analog comparators, they are used to interface analog circuits to a digital circuit by comparing two analog voltages and providing a digital indication of their relative magnitudes. Comparator C1/C2 can configure as multiple comparator configurations in input and output connection, the output polarity is programmable and can output to I/O pin (PA2/PC4). The Internal programmable reference voltage V_{REF} can be used as comparator input. The output of Comparator C2 can be configured as Timer1 gate source

Comparator maintain running in SLEEP mode (CM≠000 or 111). The comparator interrupt flag is set whenever there is a change in the output value of the comparator, and it may result in an AWAKE from SLEEP and/or Interrupt.

13.1 Summary of Comparator Related Registers

Name	Status	Register	Addr.	Reset
C2OUT	<u>Comparator C2 output</u>			RW-0
	C2INV = 0: 1 = $V_{IN+} > V_{IN-}$ 0 = $V_{IN+} < V_{IN-}$	C2INV = 1: 1 = $V_{IN+} < V_{IN-}$ 0 = $V_{IN+} > V_{IN-}$		
C1OUT	<u>Comparator C1 output</u>			RW-0
	C1INV = 0: 1 = $V_{IN+} > V_{IN-}$ 0 = $V_{IN+} < V_{IN-}$	C1INV = 1: 1 = $V_{IN+} < V_{IN-}$ 0 = $V_{IN+} > V_{IN-}$		
C2INV	<u>Comparator C2 output polarity</u>	1 = Inverted 0 = <u>Not inverted</u>	CMCON0[5]	RW-0
C1INV	<u>Comparator C1 output polarity</u>	1 = Inverted 0 = <u>Not inverted</u>	CMCON0[4]	RW-0
CIS	<u>Comparator Input Switch</u>		CMCON0[3]	0x19 RW-0
	CM = 001: 1 = C1 V_{IN-} connects to C1IN+(PA0) 0 = C1 V_{IN-} connects to C1IN- (PA1) CM = 010: 1 = C1 V_{IN-} connects to C1IN+(PA0), C2 V_{IN-} connects to C2IN+(PC0) 0 = C1 V_{IN-} connects to C1IN- (PA1), C2 V_{IN-} connects to C2IN-(PC1)			
CM	<u>Comparator mode</u>		CMCON0[2:0]	RW-000
	000 = <u>Comparators off. CxIN pins are configured as analog</u> 001 = 2 comparators, common reference, 3 inputs 010 = 2 comparators, Internal reference V_{REF} , 4 inputs 011 = 2 comparators, common reference, 2 inputs 100 = 2 independent comparators 101 = 1 independent comparator 110 = 2 common reference comparators with outputs, common reference, 2 inputs 111 = Comparators off. CxIN pins are configured as digital I/O			

Name	Status	Register	Addr.	Reset
VREN	<u>CV_{REF}</u> 1 = CV _{REF} circuit powered on 0 = <u>CV_{REF} circuit powered down, no IDD drain</u>	VRCON[7]	0x99	RW-0
VRR	<u>CV_{REF} Ranges</u> 1 = Low range 0 = <u>High range</u>	VRCON[5]		RW-0
VR	<u>CV_{REF} Value</u> VRR = 1: CV _{REF} = (VR<3:0>/24)*VDD VRR = 0: CV _{REF} = VDD/4 + (VR<3:0>/32)*VDD	VRCON[3:0]		RW-000
T1GSS	<u>Timer1 Gate Source</u> 1 = T1G pin (pin should be configured as digital input) 0 = Comparator C2 output	CMCON1[1]	0X1A	RW-1
C2SYNC	<u>Comparator C2 Output Synchronization</u> 1 = Output is synchronized with falling edge of Timer1 clock 0 = <u>Output is asynchronous</u>	CMCON1[0]		RW-0

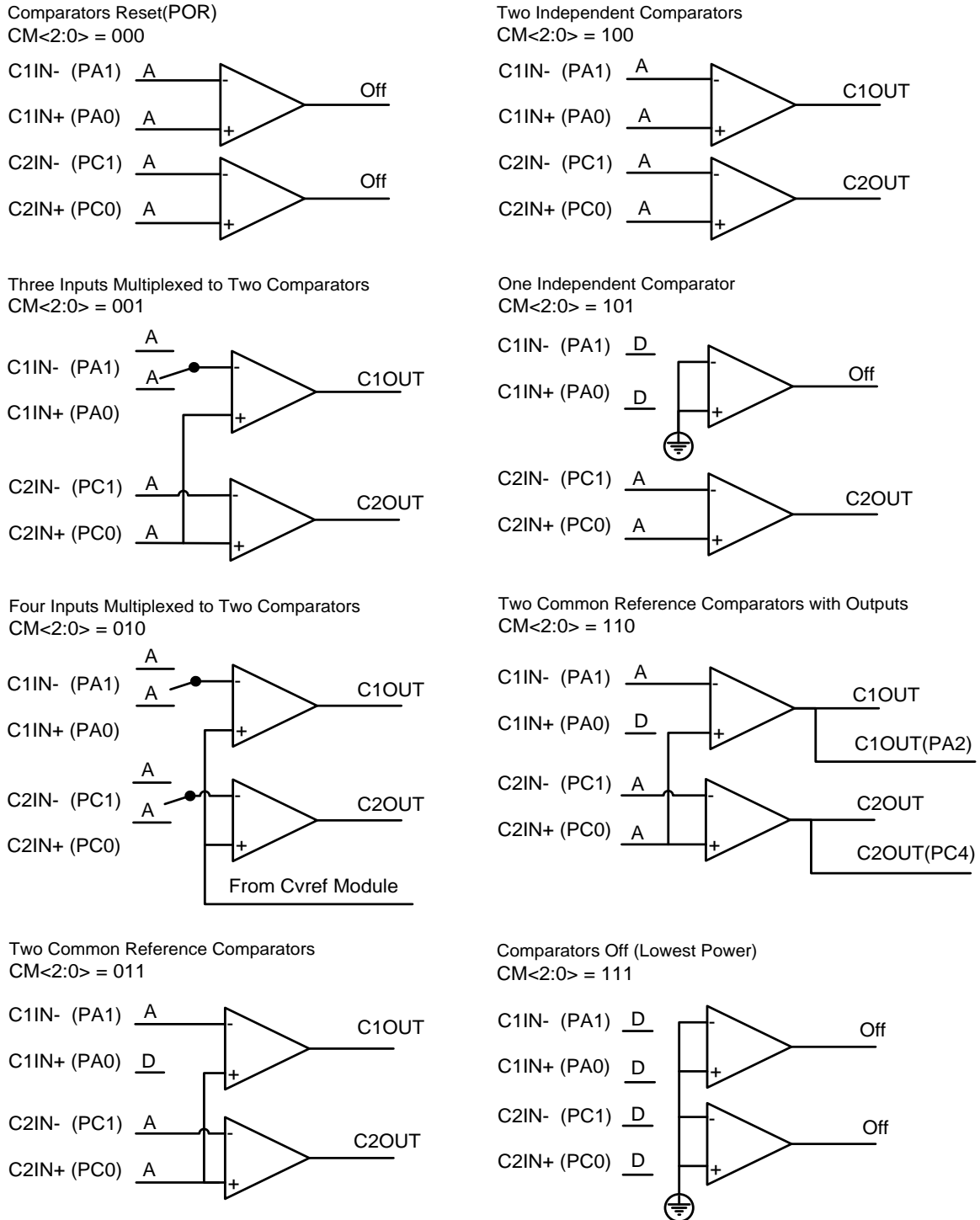
Table 13-1 Instruction Level Comparator Related Control Registers

Name	Status	Register	Addr.	Reset	
GIE	Global Interrupt	1 = Enables (PEIE, C2IE, C1IE applies) 0 = <u>Global Disables</u> (Wake-Up not affected)	INTCON[7]	0x0B 0x8B 0x10B	RW-0
PEIE	Master Peripheral Interrupt	1 = Enables (C2IE, C1IE applies) 0 = <u>Disables</u> (no Wake-Up)	INTCON[6]		RW-0
C2IE	Comparator 2 output changed interrupt	1 = Enables 0 = <u>Disables</u> (no Wake-Up)	PIE1[4]	0x8C	RW-0
C2IF	Comparator 2 output changed?	1 = Yes (latched) 0 = <u>No</u>	PIR1[4]	0x0C	RW-0
C1IE	Comparator 1 output changed interrupt	1 = Enables 0 = <u>Disables</u> (no Wake-Up)	PIE1[3]	0x8C	RW-0
C1IF	Comparator 1 output changed?	1 = Yes (latched) 0 = <u>No</u>	PIR1[3]	0x0C	RW-0

Table 13-2 Comparator Interrupt Enable and Status Bit

13.2 Comparator Configuration

There are eight modes of operation for the comparator, see **Figure 13-1**. Comparator interrupts should be disabled during a Comparator mode change to prevent unintended interrupts.



Note:
A: Analog input(ANSELx = 1), Read as '0'
D: Digital input

Figure 13-1 Comparator 1/2 Operating modes

Analog input port — The I/O should be configured as analog input by setting TRISx = 1 and ANSEL0x = 1

The analog input pins share their connection with a digital input, they have reverse biased ESD protection diodes to VDD and VSS. The analog input, therefore, must be between VSS and VDD. If the input voltage deviates from this range by more than 0.6V in either direction, one of the diodes is forward biased and a latch-up may occur. A maximum source impedance of 10 kΩ is recommended for the analog sources. Also, any external component connected to an analog input pin, such as a capacitor or a Zener diode, should have very little leakage current to minimize inaccuracies introduced.

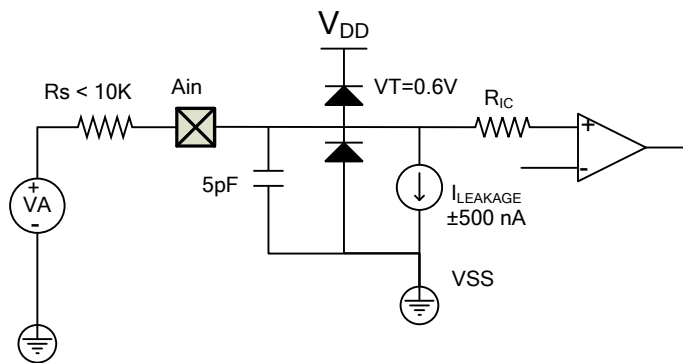


Figure 13-2 Comparator analog input mode

Compare result output — The comparator outputs are directed to the I/O pin PA2/PC4 (CM = 110), the TRIS bits for the associated CxOUT pins must be cleared to enable the output drivers.

Comparator Response Time — The comparator output is indeterminate for a period of time after the change of an input source or the selection of a new reference voltage. This period is referred to as the response time. The response time of the comparator differs from the settling time of the voltage reference. Therefore, both of these times must be considered when determining the total response time to a comparator input change. See [Section 18.8](#).

Note: When either comparator is first enabled, bias circuitry in the Comparator module may cause an invalid output from the comparator until the bias circuitry is stable. Allow about 1 μs for bias settling then clear the mismatch condition and interrupt flags before enabling comparator interrupts.

Programmable reference voltage CV_{REF} —One of the comparator input can be configured as internal programmable reference voltage CV_{REF} (CM = 010). See "VREN", The CV_{REF} voltage reference has 2 ranges with 16 voltage levels in each range, which is directly proportional to VDD

$$\text{High range (VRR = 0): } CV_{REF} = VDD/4 + (VR<3:0>/32)*VDD$$

$$\text{Low range (VRR = 1): } CV_{REF} = (VR<3:0>/24)*VDD$$

See [Figure 13-3](#), The full range of VSS to VDD cannot be realized due to the construction of the module. The CV_{REF} output voltage can be set to GND with no power consumption by configuring VRCON as follows, This allows the comparator to detect a zero-crossing while not consuming additional CV_{REF} module current.:

BCR VRCON, VREN ;Close CV_{REF}

CLRR VRCON ;VR<3:0> = 0000

BSR VRCON, VRR ; CV_{REF} low range

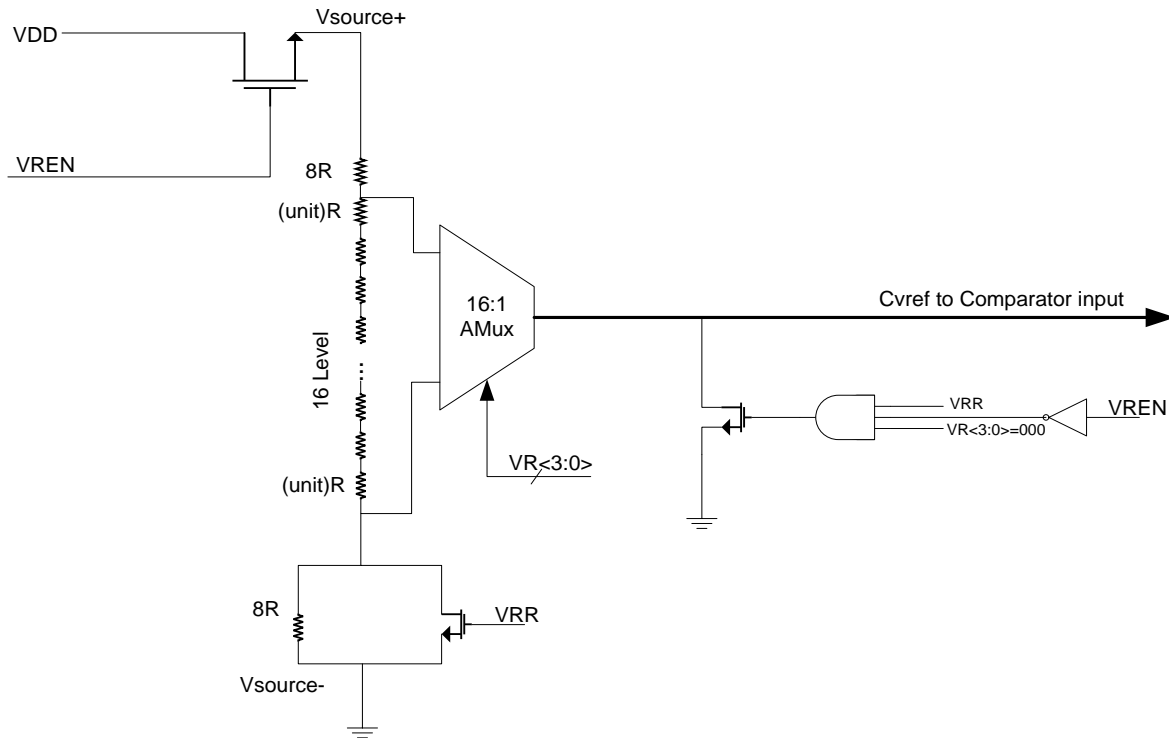


Figure 13-3 Block diagram of Comparator voltage reference

13.2.1 Comparator Interrupt

An Interrupt flag CxIF is set to 1 when the output of the Comparator 1/2 is changed, Software will need to maintain information about the status of the comparator output to determine the actual change that has occurred (Read CxOUT). Depends on the enable controls (GIE, PEIE, C1IE, C2IE) it may result in an AWAKE from SLEEP and/or Interrupt.

Note:

1. Any read or write of CMCON0. This will end the mismatch condition.
2. The CxIF interrupt flag must be cleared by software. A persistent mismatch condition will preclude clearing the CxIF interrupt flag. Reading CMCON0 will end the mismatch condition and allow the CxIF bit to be cleared.
3. If CxOUT If a change in the CxOUT should occur when a CMCON0 read operation is being executed then the CxIF Interrupt flag may not get set.

13.2.2 Comparator 2 Gating Timer1

When the Timer1 gate source is software configurable to be the output of Comparator C2, this feature can be used to time the duration or interval of analog events See [Section 7.3.3](#) "Timer1 Gate".

14. VOLTAGE REGULATOR(VREG)

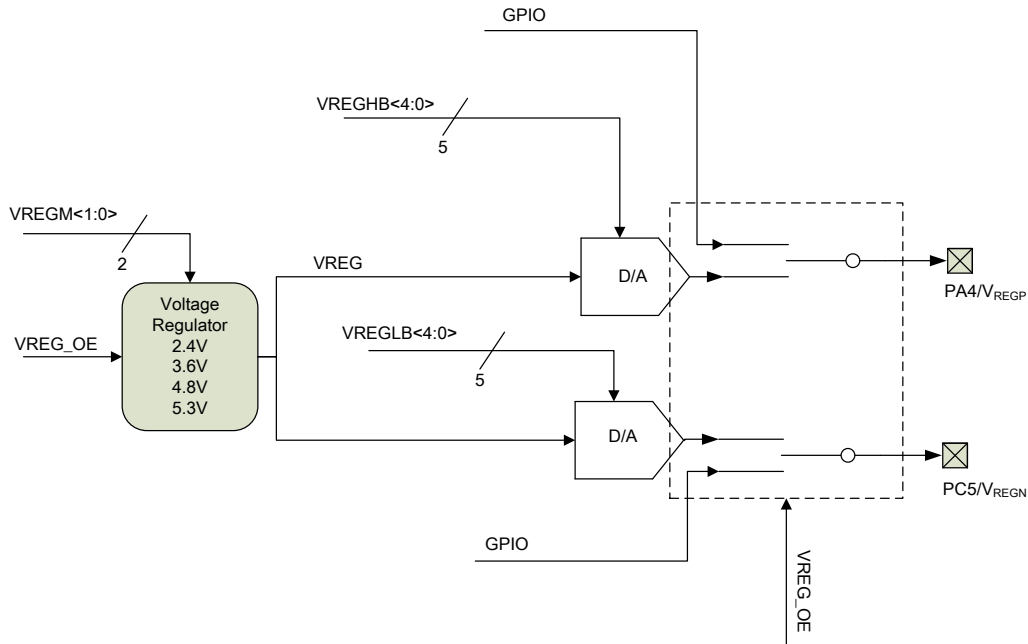


Figure 14-1 Voltage Regulator output diagram

FT61EC2X built-in 2 ways regulator output, each output up to 32 stalls voltage. Output voltage is determined by the following equations:

Equation 14-1 $V_{OUT} = V_{REG} * (VREGHB + 1) / 32$ (V_{REGP} , PA4 output)

Equation 14-2 $V_{OUT} = V_{REG} * (VREGLB + 1) / 32$ (V_{REGN} , PC5 output)

14.1 Summary of Voltage Regulator Related Registers

Name	Status	Register	Addr.	Reset
VREG_OE	<u>VREG Output</u>			
	1 = Enables (PA4, PC5 output VREG) 0 = Disables (PA4, PC5 is GPIO)	MSCKCON[6]	0x1B	RW-0
VREGM	<u>V_{REG} Select</u>			
	00 = 2.4V 10 = 4.8V 01 = 3.6V 11 = 5.3V	VCON1[6:5]	0x108	RW-00
VREGHB	<u>High range (PA4) Output</u> $V_{OUT} = V_{REG} * (VREGHB + 1) / 32$	VCON1[4:0]		RW-0000
VREGLB	<u>Low range (PC5) Output</u> $V_{OUT} = V_{REG} * (VREGLB + 1) / 32$	VCON2[4:0]	0x109	RW-0000

Table 14-1 Instruction Level Voltage Regulator Related Control Registers

15. MEMORY READ / PROGRAM PROTECTON

The PROGRAM CODE(PROM) and DATA EEPROM(DROM) can be Array Read Protected. These protections selected at the IDE.

Name	Functions	default
CPB	PROM Read Protection	disabled

Table 15-1 BOOT Level Memory Read and/or Program Protection

16. INSTRUCTION SET

Assembly Syntax	Function	Operation	Status
NOP	No operation	None	NONE
SLEEP	Enter SLEEP mode	0 → WDT; Stop OSC	/PF, /TF
CLRWDT	Clear WDT	0 → WDT	/PF, /TF
LJUMP N	Long JUMP Address	N → PC	NONE
LCALL N	Long CALL Subroutine	N → PC; PC + 1 → Stack	NONE
RETI	Return from Interrupt	Stack → PC; 1 → GIE	NONE
RET	Return from Subroutine	Stack → PC	NONE
BCR R, b	Bit Clear	0 → R(b)	NONE
BSR R, b	Bit Set	1 → R(b)	NONE
CLRR R	Clear Register	0 → R	Z
LDR R, d (MOVF)	Load Register to d	R → d	Z
COMR R, d	Complement Register	/R → d	Z
INCR R, d	Increment Register	R + 1 → d	Z
INCRSZ R, d	Increment Register, Skip if 0	R + 1 → d	NONE
DECR R, d	Decrement Register	R - 1 → d	Z
DECRSZ R, d	Decrement Register, Skip if 0	R - 1 → d	NONE
SWAPR R, d	Swap Halves Register	R(0-3)R(4-7) → d	NONE
RRR R, d	Rotate Right Register	R(0) → C; R(n) → R(n-1); C → R(7);	C
RLR R, d	Rotate Left Register	R(7) → C; R(n) → R(n+1); C → R(0);	C
BTSC R, b	Bit Test, Skip if 0	Skip if R(b)=0	NONE
BTSS R, b	Bit Test, Skip if 1	Skip if R(b)=1	NONE
CLRW	Clear Working Register	0 → W	Z
STTMD	Store W to OPTION	W → OPTION	NONE
CTLIO R	Control I/O Direction Register	W → TRISr	NONE
STR R (MOVWF)	Store W to Register	W → R	NONE
ADDWR R, d	Add W and Register	W + R → d	C, HC, Z
SUBWR R, d	Subtract W from Register	R - W → d	C, HC, Z
ANDWR R, d	AND W and Register	R & W → d	Z
IORWR R, d	OR W and Register	W R → d	Z
XORWR R, d	XOR W and register	W ^ R → d	Z
LDWI I (MOVLW)	Load Immediate to W	I → W	NONE
ANDWI I	AND W and imm	I & W → W	Z
IORWI I	OR W and imm	I W → W	Z
XORWI I	XOR W and imm	I ^ W → W	Z
ADDWI I	Add imm to W	I + W → W	C, HC, Z
SUBWI I	Subtract W from imm	I - W → W	C, HC, Z
RETW I	Return, Place imm to W	Stack → PC; I → W	NONE

Table 16-1 37 RISC Instruction Commands

17. SPECIAL FUNCTION REGISTERS, SFR

There are two types of Special Function Registers (SFR).

- BOOT level registers are set at the Integrated Development Environment (IDE);
- Instruction level registers;

17.1 Boot Level Registers

Options

CPB : Disable

MCLRE : PA5

PWRTEB : Disable

WDTE : Disable

FOSC : INTOSCIO

CSUMENB : Disable

TSEL : 2T

FCMEN : Enable

IESO : Enable

RDCTRL : Latch

LVREN : Enable

LVRS : 2.0V

Option Locked (Don't warn again)

OK Cancel

Figure 17-1 Boot Selectables in the IDE

Name	Functions	default
CPB	PROM Read Protection	disabled
MCLRE	Reset by External I/O	disabled
PWRTEB	Power-Up Timer (PWRT)	disabled
WDTE	<u>WDT</u> <ul style="list-style-type: none"> Enabled (overrides instructions disable) <u>Instruction controls (SWDTEN)</u> 	SWDTEN control
FOSC	<ul style="list-style-type: none"> LP: external oscillator across PA7 (+) and PA6 (-) XT: external oscillator across PA7 (+) and PA6 (-) EC: external oscillator at PA7 (+), PA6 as I/O pin INTOSC: PA6 output "Instruction Clock", PA7 as I/O pin <u>INTOSCIO</u>: PA7 and PA6 as I/O pins 	INTOSCIO
CSUMENB	Checksum	disabled
TSEL	<u># of SysClk per Instruction Cycle (2T or 4T)</u> <ul style="list-style-type: none"> <u>2</u> (Instruction Clock = SysClk/2) 4 (Instruction Clock = SysClk/4) 	2
FCMEN	<u>Fail-Safe Clock Monitor</u> <ul style="list-style-type: none"> <u>Enabled</u> Disabled 	Enabled
IESO	<u>Two-speed Startup for XT and LP</u> <ul style="list-style-type: none"> <u>Enabled</u> Disabled 	Enabled
RDCTRL	<u>READ register when TRISx = 0 (Output enabled)</u> <ul style="list-style-type: none"> Input latch <u>Output latch</u> 	Output
LVREN	<u>LVR</u> <ul style="list-style-type: none"> Enabled <u>Disabled</u> Enabled except in SLEEP Instruction controlled (SLVREN) 	Enabled
LVRS	<u>7 V_{BOR} Voltage levels (V): 2.0 / 2.2 / <u>2.5</u> / 2.8 / 3.1 / 3.6 / 4.1</u>	2.0

Table 17-1 Boot Level Registers (selected at IDE)

17.2 Instruction Set Registers

Instruction set Special Function Registers (SFR) are stored in four banks. The value of available addressing register is 384 because BANK3 is not used. The corresponding bank must be selected before the registers inside can be accessed.

Any instruction using the INDF register actually accesses data pointed to by the File Select Register {FSR_B8, FSR}. When FSR_B8 is 1 and using indirect addressing accesses SFR, {FSR_B8, FSR} will point the BANK2

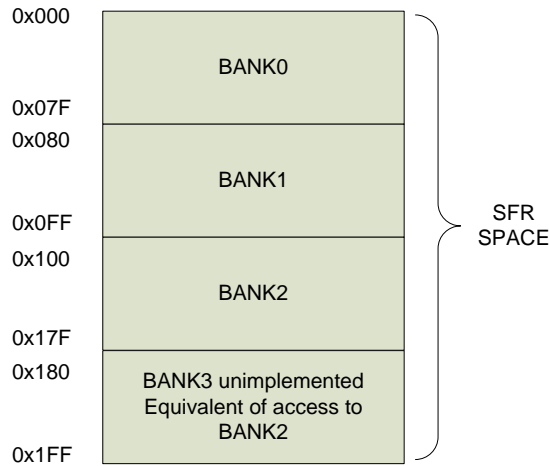


Figure 17-2 Indirect addressing

Since extra instructions are involved in switching BANK, some often-used SFR are stored in all 3 banks to minimize switching. Registers common to all four BANKS are synchronized.

ADDR	Name	bit 7	bit 6	bit 5	bit 4	bit 3	bit 2	bit 1	bit 0	Reset
0, 80, 100	INDF	Addressing this location uses contents of FSR to address data memory (not a physical register)								xxxx xxxx
2, 82, 102	PCL	Program Counter's (PC) least Significant Byte								0000 0000
3, 83, 103	STATUS	FSRB8	PAGE[1:0]		/TF	/PF	Z	HC	C	0001 1xxx
4, 84, 104	FSR	Indirect Data Memory Address Pointer								xxxx xxxx
A, 8A, 10A	PCLATH	-	-	-	Write Buffer for upper 5 bits of Program Counter					---0 0000
B, 8B, 10B	INTCON	GIE	PEIE	TOIE	INTE	PAIE	TOIF	INTF	PAIF	0000 0000
0x70 – 0x7F 0xF0 – 0xFF 0x170 – 0x17F	COMMON BANK SRAM								xxxx xxxx	

Table 17-2 Registers common to all 3 banks

ADDR	Name	bit 7	bit 6	bit 5	bit 4	bit 3	bit 2	bit 1	bit 0	Reset	
0	INDF	Addressing this location uses contents of FSR to address data memory (not a physical register)								xxxx xxxx	
1	TMR0	Timer0 counter								xxxx xxxx	
2	PCL	Program Counter's (PC) least Significant Byte								0000 0000	
3	STATUS	FSRB8	PAGE[1:0]		/TF	/PF	Z	HC	C	0001 1xxx	
4	FSR	Indirect Data Memory Address Pointer								xxxx xxxx	
5	PORTA	PA7	PA6	PA5	PA4	PA3	PA2	PA1	PA0	xxxx xxxx	
7	PORTC	-	-	PC5	PC4	PC3	PC2	PC1	PC0	--xx xxxx	
A	PCLATH	-	-	-	Write Buffer for upper 5 bits of Program Counter					---0 0000	
B	INTCON	GIE	PEIE	T0IE	INTE	PAIE	T0IF	INTF	PAIF	0000 0000	
C	PIR1	EEIF	CKMEAIF	-	C2IF	C1IF	OSFIF	TMR2IF	TMR1IF	0000 0000	
D	PIR2	-	-	-	-	-	-	ADIF	CCP1IF	---- --00	
E	TMR1L	Timer1[7:0]								xxxx xxxx	
F	TMR1H	Timer1[15:8]								xxxx xxxx	
10	T1CON	T1GINV	TMR1GE	T1CKPS1	T1CKPS0	T1OSCEN	T1SYNC	TMR1CS	TMR1ON	0000 0000	
11	TMR2	TMR2 [7:0]								0000 0000	
12	T2CON	-	TOUTPS [3:0]				TMR2ON	T2CKPS [1:0]		-000 0000	
13	CCPR1L	Least significant byte of Capture, Compare, PWM1 Register								xxxx xxxx	
14	CCPR1H	Most significant byte of Capture, Compare, PWM1 Register								xxxx xxxx	
15	CCP1CON	P1M[1:0]		DC1B[1:0]		CCP1M[3:0]				0000 0000	
16	PWM1CON	PRSEN	PDC[6:0]								0000 0000
17	ECCPAS	ECCPASE	ECCPAS[2:0]			PSSAC[1:0]		PSSBD[1:0]		0000 0000	
18	WDTCON	-	-	-	WDTPS[3:0]				SWDTEN	---0 1000	
19	CMCON0	C2OUT	C1OUT	C2INV	C1INV	CIS	CM[2:0]			0000 0000	
1A	CMCON1	-	-	-	-	-	-	T1GSS	C2SYNC	---- --10	
1B	MSCKCON	-	VREG_OE	T2CKSRC	SLVREN	-	CKMAVG	CKCNT1	-	0000 -00-	
1C	SOSCPRL	SOSCPR [7:0]								1111 1111	
1D	SOSCPRH	-	-	-	-	SOSCPR [11:8]				---- 1111	
1E	ADRESH	Most Significant 2 bits of the right shifted A/D result or 8bits of left shifted result								xxxx xxxx	
1F	ADCON0	ADFM	VCFG1	VCFG0	CHS[2:0]			GO/DONE	ADON	0000 0000	
20-7F	SRAM BANK1 (96Bytes) , Physical address 0x00-0x5F									xxxx xxxx	

Table 17-3 SFR, BANK 0

ADDR	Name	bit 7	bit 6	bit 5	bit 4	bit 3	bit 2	bit 1	bit 0	Reset	
80	INDF	Addressing this location uses contents of FSR to address data memory (not a physical register)								xxxx xxxx	
81	OPTION	/PAPU	INTEDG	T0CS	T0SE	PSA	PS2	PS1	PS0	1111 1111	
82	PCL	Program Counter's (PC) least Significant Byte								0000 0000	
83	STATUS	FSRB8	PAGE[1:0]	/TF	/PF	Z	HC	C		0001 1xxx	
84	FSR	Indirect Data Memory Address Pointer								xxxx xxxx	
85	TRISA	TRISA [7:0]								1111 1111	
87	TRISC	-	-	TRISC [5:0]						--11 1111	
88	WPUC	-	-	WPUC [5:0]						--00 0000	
89	WPD	-	-	-	WPDA4	WPDC1	WPDC2	WPDC3	-	---0 000-	
8A	PCLATH	-	-	-	Write Buffer for upper 5 bits of Program Counter					---0 0000	
8B	INTCON	GIE	PEIE	T0IE	INTE	PAIE	T0IF	INTF	PAIF	0000 0000	
8C	PIE1	EEIE	CKMEAIE	-	C2IE	C1IE	OSFIE	TMR2IE	TMR1IE	0000 0000	
8D	PIE2	-	-	-	-	-	-	ADIE	CCP1IE	---- --00	
8E	PCON	VREF_OE	LVDL [2:0]			LVDEN	LVDW	/POR	/BOR		0000 0xqq
8F	OSCCON	LFMOD	IRCF[2:0]			OSTS	HTS	LTS	SCS	0101 x000	
90	PWM1AUX	AUX1EN	P1OS	P1FOE	P1EOE	P1DOE	P1COE	P1BOE	P1AOE	0000 0000	
91	ANSEL	ANSEL[7:0]								1111 1111	
92	PR2	PR2[7:0], Timer2 period register								1111 1111	
95	WPUA	WPUA [7:0]								1111 1111	
96	IOCA	IOCA [7:0]								0000 0000	
99	VRCON	VREN	-	VRR	-	VR[3:0]				0-0- 0000	
9A	EEDAT	EEDAT [7:0]								0000 0000	
9B	EEADR	EEADR [7:0]								0000 0000	
9C	EECON1	-	-	WREN3	WREN2	WRERR	WREN1	-	RD	--00 x0-0	
9D	EECON2	-	-	-	-	-	-	-	WR	---- --0	
9E	ADRESL	Least Significant 2 bits of the left shifted A/D result or 8bits of right shifted result								xxxx xxxx	
9F	ADCON1	DIVS	ADCS[2:0]			-	-	-	-		0000 ----
A0-BF	SRAM BANK1 (32Bytes) , Physical address 0x00-0x1F									xxxx xxxx	
C0-EF	-									---- ----	
F0-FF	SRAM , address BANK0's 0x70-0x7F									xxxx xxxx	

Table 17-4 SFR, BANK 1

ADDR	Name	bit 7	bit 6	bit 5	bit 4	bit 3	bit 2	bit 1	bit 0	Reset	
100	INDF	Addressing this location uses contents of FSR to address data memory (not a physical register)								xxxx xxxx	
102	PCL	Program Counter's (PC) least Significant Byte								0000 0000	
103	STATUS	FSRB8	PAGE[1:0]	/TF	/PF	Z	HC	C		0001 1xxx	
104	FSR	Indirect Data Memory Address Pointer								xxxx xxxx	
108	VCON1	-	VREGM[1:0]	VREGHB[4:0]						-000 0000	
109	VCON2	-	-	-	VREGLB[4:0]						---0 0000
10A	PCLATH	-	-	-	Write Buffer for upper 5 bits of Program Counter						---0 0000
10B	INTCON	GIE	PEIE	T0IE	INTE	PAIE	T0IF	INTF	PAIF	0000 0000	
10C	TMR3L	TMR3 [7:0], Least significant byte of TMR3								xxxx xxxx	
10D	TMR3H	TMR3 [11:8], Most Significant 4 bits of TMR3				PR3[11:8] Most Significant 4 bits of Timer3 Period Register				xxxx 1111	
10E	PR3L	PR3[7:0] Least significant byte of Timer3 Period Register								1111 1111	
10F	PWM3CR0	P3INTS	P3PER[2:0]			P3CKSRC[2:0]			P3BZR	0000 0000	
110	PWM3CR1	P3EN	P3POL	TMR3PS[2:0]			TMR3ON	TMR3IE	TMR3IF	0000 0000	
111	T3CKDIV	Timer3 Clock Divider Register								0000 0000	
112	TMR4L	TMR4 [7:0], Least significant byte of TMR4								xxxx xxxx	
113	TMR4H	TMR4 [11:8], Most Significant 4 bits of TMR4				PR4[11:8] Most Significant 4 bits of Timer4 Period Register				xxxx 1111	
114	PR4L	PR4[7:0] Least significant byte of Timer4 Period Register								1111 1111	
115	PWM4CR0	P4INTS	P4PER[2:0]			P4CKSRC[2:0]			P4BZR	0000 0000	
116	PWM4CR1	P4EN	P4POL	TMR4PS[2:0]			TMR4ON	TMR4IE	TMR4IF	0000 0000	
117	T4CKDIV	Timer 4 Clock Divider Register								0000 0000	
118	TMR5L	TMR5 [7:0], Least significant byte of TMR5								xxxx xxxx	
119	TMR5H	TMR5 [11:8], Most Significant 4 bits of TMR5				PR5[11:8] Most Significant 4 bits of Timer5 Period Register				xxxx 1111	
11A	PR5L	PR5[7:0] Least significant byte of Timer5 Period Register									
11B	PWM5CR0	P5INTS	P5PER[2:0]			P5CKSRC[2:0]			P5BZR	0000 0000	
11C	PWM5CR1	P5EN	P5POL	TMR5PS[2:0]			TMR5ON	TMR5IE	TMR5IF	0000 0000	
11D	T5CKDIV	Timer 5 Clock Divider Register								0000 0000	
120 - 16F		-								-----	
170 - 17F		SRAM , address BANK0's 0x70-0x7F								xxxx xxxx	

Table 17-5 SFR, BANK 2

Notes:

1. INDF is not a physical register;
2. Gray parts indicate not used;
3. Do not write the unused register bits;
4. ANSEL reset value os 0xFF, associated IO pin is analog pin, thus the return value of PORTA[3:0] and PORTC[2:0] are 0 when reading PORTA or PORTC after any reset, because they are analog pins at this time, which has noting to do with their data register.

17.3 STATUS Register

Name	Status	Register	Addr.	Reset
FSRB8	A 9-bit register comprises of the FSRB8 and FSR register. Refer to the Section 17.4 .	STATUS[7]	0x03 0x83 0x103	RW-0
PAGE	<u>Register Bank Select</u> 00 = Bank 0 (0x00h – 0x7Fh) 01 = Bank 1 (0x80h – 0xFFh) 1x = Bank 2 (0x100 – 0x17F)	STATUS[6:5]		RW-00
/TF	<u>Time-out?</u> 1 = CLRWDT or SLEEP instruction after Power-up 0 = WDT time-out occurred	STATUS[4]		RO-1
/PF	<u>Power-down?</u> 1 = After power-up or by the CLRWDT instruction 0 = By execution of the SLEEP instruction	STATUS[3]		RO-1
Z	<u>Zero: Result of an arithmetic or logic operation is zero?</u> 1 = Yes 0 = No	STATUS[2]		RW-x
HC	<u>Half Carry: Digit Carry-Over or Borrow from the 4th low-order bit of the result?</u> 1 = Carry-Over, Yes; Borrow, No 0 = Carry-Over, No; Borrow, Yes	STATUS[1]		RW-x
C	<u>Carry: Digit Carry-Over or Borrow from MSB of the result?</u> 1 = Carry-Over, Yes; Borrow, No 0 = Carry-Over, No; Borrow, Yes	STATUS[0]		RW-x

Table 17-6 Status Register

Notes:

1. The STATUS register can be the destination for any instruction, like any other register. If the STATUS register is the destination for an instruction that affects the Z, HC or C bits, then the write to these three bits is disabled. These bits are set or cleared according to the device logic. Therefore, the result of an instruction with the STATUS register as destination may be different than intended.
2. It is recommended, therefore, that only BCR, BSR, SWAPR and STR instructions are used to alter the STATUS register.

17.4 PCL and PCLATH

The program array have one Page (2kW). At the end of Page (0x7FF) it will roll over to the beginning of Page (0x000). The address width of a command is only 11 bits, and can address 2kW only. For LJUMP and LCALL, there is no need to set PCLATH.

The Program Counter (PC) is 11 bits wide. The low byte comes from the PCL register, which is a readable and writable register. The high 3 bits PC[10:8] is not directly readable or writable and comes from PCLATH. On any Reset, PC clears. **Figure 17-3** shows the two situations for the loading of the PC.

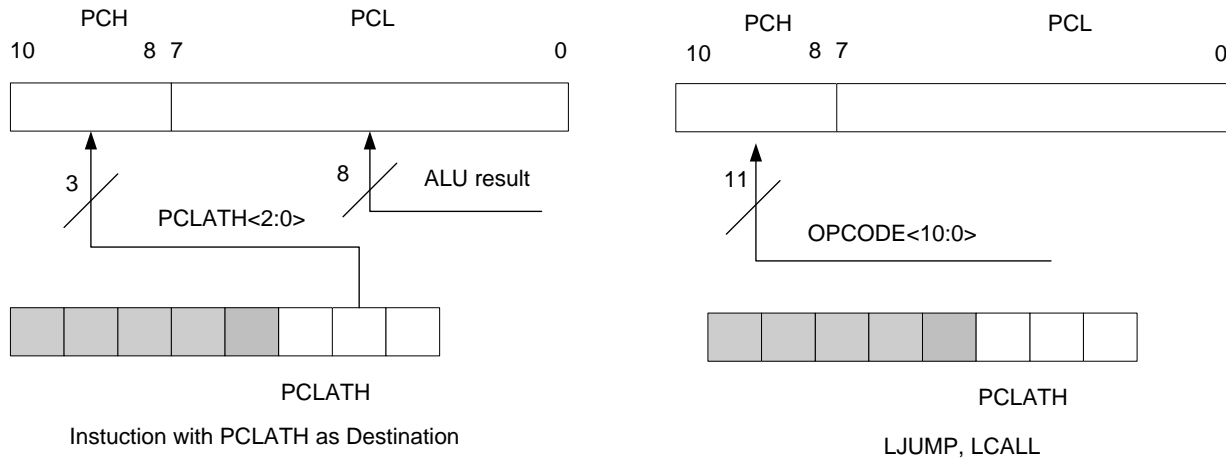


Figure 17-3 Loading of PC in different situations

Executing any instruction with the PCL register as the destination simultaneously causes the Program Counter PC[10:8] bits to be replaced by the contents of the PCLATH register. This allows the entire contents of the program counter to be changed by first writing the desired upper 3 bits to the PCLATH register

A computed JUMP is accomplished by adding an offset to the program counter (ADDWR PCL). Care should be exercised when jumping into a look-up table or program branch table (computed JUMP) by modifying the PCL register. Assuming that PCLATH is set to the table start address, if the table length is greater than 255 instructions or if the lower 8 bits of the memory address rolls over from 0xFF to 0x00 in the middle of the table, then PCLATH must be incremented for each address rollover that occurs between the table beginning and the target location within the table .

The INDF register is not a physical register. Addressing the INDF register will cause indirect addressing.

Any instruction using the INDF register actually accesses data pointed to by the File Select Register (FSRB8, FSR). Reading INDF itself indirectly will produce 0x000. Writing to the INDF register indirectly results in a no operation (although Status bits may be affected).

18. ELECTRICAL SPECIFICATIONS

18.1 Absolute Maximum Ratings

Operation temperature Grade 3.....	-40 – + 85°C
Storage temperature.....	-40 – +125°C
Power supply voltage.....	V _{SS} -0.3V – V _{SS} +6.0V
PAD input voltage.....	V _{SS} -0.3V – V _{DD} +0.3V

Notes:

1. Stresses above “Absolute Maximum Ratings” may cause permanent damages to the device.
2. All characterizations are at 25°C, V_{DD} =2.0 – 5.5V unless otherwise stated.
3. Values and ranges indicated are from characterizations, and are not indicative of the final shipping criteria. Production test are at 25°C unless otherwise stated. Performance at temperature outside of above operation temperature are not guaranteed as high temperature screening is not part of normal production procedure.
4. Typical unstressed memory data retention @ 150°C > 10 years.

18.2 Operation Characteristics

Parameters		Min	Typical	Max	Units	Conditions
Fsys (SysClk)	2T/4T	-	-	8	MHz	-40 – 85°C, V _{DD} = 2.0 – 5.5V
		-	-	16	MHz	-40 – 85°C, V _{DD} = 2.7 – 5.5V
Instruction Period (T _{INSTRCLK})	2T	-	125	-	ns	SysClk = HIRC
	4T	-	250	-	ns	
	2T	-	61	-	µs	SysClk = LIRC
	4T	-	122	-	µs	
T0CKI High or Low Pulse Width		0.5 * T _{TOCK} + 20	-	-	ns	no Prescaler
		10	-	-	ns	with Prescaler
T0CKI Input Period		Max. 20 and (T _{TOCK} +40)/N	-	-	ns	N = 1, 2, 4, ..., 256 (with Prescaler) N = 1 (no Prescaler)
T0CKI High or Low Pulse Width	Sync.	(T _{sysclk} + 20) / N	-	-	ns	N = 1, 2, 4, 8 (with Prescaler)
	Async.	Max(10 or 30 / N)	-	-	ns	
T0CKI Input Period	Sync.	2 * (T _{sysclk} + 20) / N	-	-	ns	
	Async.	Max(20 or 60 / N)	-	-	ns	
Power-On-Reset hold time (T _{DRH})		-	4.2	-	ms	25°C, PWRT disable
Ext. Reset pulse width (T _{MCLRb})		2000	-	-	ns	25°C
WDT period (T _{WDT})		-	1	-	ms	Prescaler = 1:1

Note: T_{TOCK} is the period dictated by T0CS.

18.3 POR, LVR, LVD

Power-On-Reset (POR)

Parameters	Min	Typical	Max	Units	Conditions
I_{POR} Operating Current	–	0.14	–	μA	25°C, $V_{DD} = 3.3\text{V}$
V_{POR}	–	1.65	–	V	25°C

Low Voltage Reset (LVR)

Parameters	Min	Typical	Max	Units	Conditions
I_{LVR} Operating Current	–	19.8	–	μA	25°C, $V_{DD} = 3.3\text{V}$
V_{LVR} , LVR threshold	1.92	2.0	2.08	V	25°C
	2.11	2.2	2.29		
	2.40	2.5	2.60		
	2.69	2.8	2.91		
	2.98	3.1	3.22		
	3.46	3.6	3.74		
	3.94	4.1	4.26		
LVR delay	–	125	157	μs	25°C, $V_{DD} = 2.0 - 5.5\text{V}$

Low Voltage Detect (LVD)

Parameters	Min	Typical	Max	Units	Conditions
I_{LVD} Operating Current	–	26.1	–	μA	25°C, $V_{DD} = 3.3\text{V}$
V_{LVD} , LVD threshold	1.92	2.0	2.08	V	25°C
	2.30	2.4	2.50		
	2.69	2.8	2.91		
	2.88	3.0	3.12		
	3.46	3.6	3.74		
	3.84	4.0	4.16		
LVD delay	–	125	157	μs	25°C, $V_{DD} = 2.0 - 5.5\text{V}$

18.4 I/O PORTS

Parameters	Min	Typical	Max	Units	Conditions
V_{IL}	0	-	$0.3 \cdot V_{DD}$	V	
V_{IH}	$0.7 \cdot V_{DD}$	-	V_{DD}	V	
Leakage current	-1	-	1	μA	$V_{DD} = 5V$
Source current (Source)	-	-22	-	mA	$25^{\circ}C, V_{DD} = 5.0V, V_{OH} = 4.5V$
Sink Current (Sink)	-	19	-	mA	$25^{\circ}C, V_{DD} = 5.0V, V_{OL} = 0.5V$
Pull-up resistance	-	45	-	k Ω	$25^{\circ}C, V_{DD} = 3.3V$
	-	28	-		$25^{\circ}C, V_{DD} = 5.0V$
Pull-down resistance	-	189	-	k Ω	$25^{\circ}C, V_{DD} = 3.3V$
	-	97	-		$25^{\circ}C, V_{DD} = 5.0V$

18.5 Operation Current (I_{DD})

Parameters	SysClk	Typical @ V_{DD}			Units
		2.0V	3.3V	5.5V	
Normal mode (2T) - I_{DD}	16MHz	—	1.528	1.681	mA
	8 MHz	0.694	1.196	1.291	
	4 MHz	0.520	0.716	0.768	
	2 MHz	0.327	0.447	0.469	
	1 MHz	0.229	0.313	0.331	
	500 kHz	0.187	0.262	0.268	
	250 kHz	0.162	0.227	0.232	
	32 kHz	0.036	0.071	0.083	
Sleep Mode (WDT OFF, LVR OFF) , I_{SB}	-	0.464	0.728	0.878	μA
Sleep Mode (WDT ON, LVR OFF)	32 kHz	1.468	2.937	3.215	
Sleep Mode (WDT OFF, LVR ON)	-	13.714	19.791	25.444	
Sleep Mode (WDT ON, LVR ON)	32 kHz	14.529	22.070	27.816	
Sleep Mode (WDT OFF, LVR OFF, LVD ON)	-	22.032	26.193	30.792	

Note: Sleep mode I_{SB} is measured with all I/O in Pull-down input mode.

18.6 Internal Oscillators

Internal Low Frequency Oscillator (LIRC)

LIRC is set at 32 kHz during measurement (LFMOD=0).

Parameters	Min	Typical	Max	Units	Conditions
Range	30.4	32	33.6	kHz	25°C, V _{DD} = 2.5V
temperature dependence	-2.0%	-	2.0%	-	-40 – 85°C, V _{DD} = 2.5V
supply voltage variation	-4.0%	-	1.0%	-	25°C, V _{DD} = 2.0 – 5.5V
I _{LIRC} Operating Current	-	1.1	-	µA	25°C, V _{DD} = 3.0V
Start up Time	-	4.6	-	µs	25°C, V _{DD} = 3.0V

Internal High Frequency Oscillator (HIRC)

Parameters	Min	Typical	Max	Units	Conditions
Range	15.84	16	16.16	MHz	25°C, V _{DD} = 2.5V
temperature dependence	-3.0%	-	2.5%	-	-40 – 85°C, V _{DD} = 2.5V
supply voltage variation	-1.0%	-	1.0%	-	25°C, V _{DD} = 2.0 – 5.5V
I _{LIRC} Operating Current	-	30	-	µA	25°C, V _{DD} = 3.0V
Start up Time	-	2.5	-	µs	25°C, V _{DD} = 3.0V

18.7 ADC (10 bit) and ADC VREF

ADC (10 bit)

Parameters	Min	Typical	Max	Units	Conditions
ADC operating V _{DD}	2.7	-	5.5	V	
ADC operating current I _{VDD}	-	90	-	µA	V _{REF} = V _{DD} = 5.5V
Analog input V _{AIN}	V _{SS}	-	V _{REF}	V	
External V _{REF}	2.0	-	V _{DD}	V	
Resolution	-	-	10	bit	
Integral error E _{IL}	-	± 1.0	-	LSB	V _{REF} = V _{DD} = 5.0V
Differential error E _{DL}	-	± 0.5	-	LSB	F _{ADCCLK} = 250KHZ
Offset error E _{OFF}	-	± 5.0	-	LSB	V _{REF} = V _{DD} = 5.0V
Gain error E _{GN}	-	± 2.0	-	LSB	F _{ADCCLK} = 250KHZ
Conversion clock period TAD	-	2	-	µs	V _{REF} > 3.0V, V _{DD} > 3.0V
Conversion clock amount	-	14.5	-	TAD	
Start-Up Time (T _{ST})	-	15	-	µs	
Acquisition Time (T _{ACQ})	-	≥ 2	-	µs	
Conversion clock period TAD	-	-	10	kΩ	(recommended)

DNL Error

typical DNL Error (LSB) @ $V_{DD} = 5\text{ V}$			
V_{REF+} F_{ADCLK}	2	3	V_{DD}
$\leq 1\text{ MHz}$	± 0.5	± 0.5	± 0.5
2 MHz	± 0.5	± 0.5	± 0.5
4 MHz	± 2.0	± 1.5	± 1.0

INL Error

typical INL Error (LSB) @ $V_{DD} = 5\text{ V}$			
V_{REF+} F_{ADCLK}	2	3	V_{DD}
$\leq 1\text{ MHz}$	± 0.5	± 0.5	± 1.0
2 MHz	± 1.0	± 1.0	± 1.0
4 MHz	± 2.5	± 2.0	± 2.0

Internal ADC V_{REF}

Parameters		Min	Typical	Max	Units	Conditions
Internal $V_{ADC-REF}$	$V_{ADC-REF} = 2.0\text{V}$	1.990	2	2.010	V	25°C , $V_{DD} = 5.0\text{V}$
	$V_{ADC-REF} = 3.0\text{V}$	2.985	3	3.015	V	25°C , $V_{DD} = 5.0\text{V}$
Supply voltage variation	$V_{ADC-REF} = 2.0\text{V}$	-0.5%	-	0.5%	V	25°C , $V_{DD} = 2.7\text{--}5.5\text{V}$
	$V_{ADC-REF} = 3.0\text{V}$	-0.5%	-	0.5%	V	25°C , $V_{DD} = 3.5\text{--}5.5\text{V}$
Temperature dependence	$V_{ADC-REF} = 2.0\text{V}$	-2.0%	-	2.0%	-	$-40\text{--}85^\circ\text{C}$, $V_{DD} = 5.0\text{V}$
	$V_{ADC-REF} = 3.0\text{V}$	-2.0%	-	2.0%	-	$-40\text{--}85^\circ\text{C}$, $V_{DD} = 5.0\text{V}$
Settling time T_{VRINT}	$V_{ADC-REF} = 2.0\text{V}$	-	450	-	μs	
	$V_{ADC-REF} = 3.0\text{V}$	-	450	-	μs	

18.8 Comparator

Parameters	Min	Typical	Max	Units	Conditions
Operation current Ivdd	—	70	—	uA	3V, 25°C
Operating voltage	2.0	—	5.5	V	
Input common mode voltage	0	—	V _{DD} -1.5	V	2.0V~5.5V, -40°C~85°C
Offset	—	±5	±10	mV	2.0V~5.5V, -40°C~85°C
CMRR	55	—	—	dB	2.0V~5.5V, -40°C~85°C
Hysteresis	—	0	—	mV	2.0V~5.5V, -40°C~85°C
Response Time	—	200	—	ns	Normal Mode: Output Low -> High
	—	150	—	ns	Normal Mode: Output High -> Low
Reference voltage stable time		10		us	

18.9 4bit DAC (Reference voltage configuration)

Parameters	Min	Typical	Max	Units	Conditions
Relative Accuracy	—	V _{DD} /16	—	V	2.0V~5.5V, -40°C~85°C
Absolute Accuracy	—	—	± 1/2	LSB	2.0V~5.5V, -40°C~85°C
Unit resistor	—	5000	—	Ω	2.0V~5.5V, -40°C~85°C
Settle Time	—	—	10	us	0000 -> 1111

18.10 Voltage Regulator Output Circuit

Parameters	Min	Typical	Max	Units	Conditions
Ivdd	—	70.68	—	uA	25°C, V _{DD} = 3.3V
Output voltage	—	2.4	—	V	VREGM = 00, 25°C, V _{DD} = 3.3~5.5V
	—	3.6	—	V	VREGM = 01, 25°C, V _{DD} = 3.8~5.5V
	—	4.8	—	V	VREGM = 10, 25°C, V _{DD} = 5.0~5.5V
	—	5.24	—	V	VREGM = 11, 25°C, V _{DD} = 5.5V
Output Current	—	200	—	uA	25°C, V _{DD} = 3.3~5.5V

18.11 Program and Data EEPROM

Parameters		Min	Typical	Max	Units	Conditions
$V_{DD-READ}$	Program/Data EE read voltage	V_{POR}	-	5.5	V	-40 – 85°C
$V_{DD-WRITE}$	Program EE write voltage	2.7	-	5.5	V	-40 – 85°C
	Data EE write voltage	2.0	-	5.5		
N_{END}	Program EE erase/write cycles	100 k	-	-	cycle	25°C
		40 k	-	-		85°C
	Data EE erase/write cycles	100 k	-	-		25 °C
		40 k	-	-		85 °C
T_{RET}	Program EE data retention	20	-	-	year	after 1k cycles @ 85 °C
	Data EE data retention	20	-	-		after 10k cycles @ 85 °C
T_{WRITE}	Data EE write time	-	4.0	-	ms	Auto-Erase enabled
I_{PROG}	Data EE programming current	-	500	-	µA	25 °C, $V_{DD} = 3.3 V$, 16MHz / 2T

18.12 EMC characteristics

ESD

Parameters		Min	Typical	Max	Units	Conditions
V_{ESD}	HBM	4000	-	-	V	MIL-STD-883H Method 3015.8
V_{ESD}	MM	200	-	-	V	JESD22-A115

Latch-up

Parameters		Min	Typical	Max	Units	Conditions
LU, static latch-up		200	-	-	mA	EIA/JESD 78

EFT

Parameters		Min	Typical	Max	Units	Conditions
V_{EFT}		5.5	-	-	kV	1µF Cap applied on V_{DD} (5V)

19. Characterization Graphs

Note: The characterization graphs are for reference only, not guaranteed by production test.

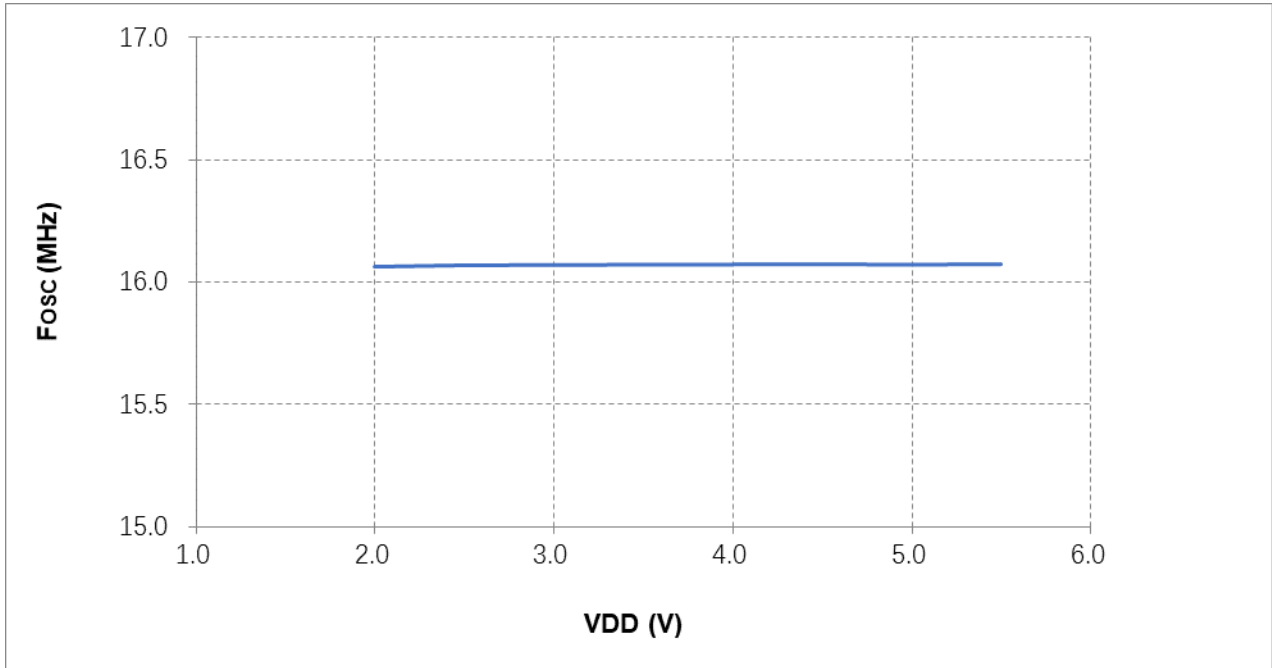


Figure 19-1 HIRC vs. V_{DD} ($T_A = 25^\circ\text{C}$)

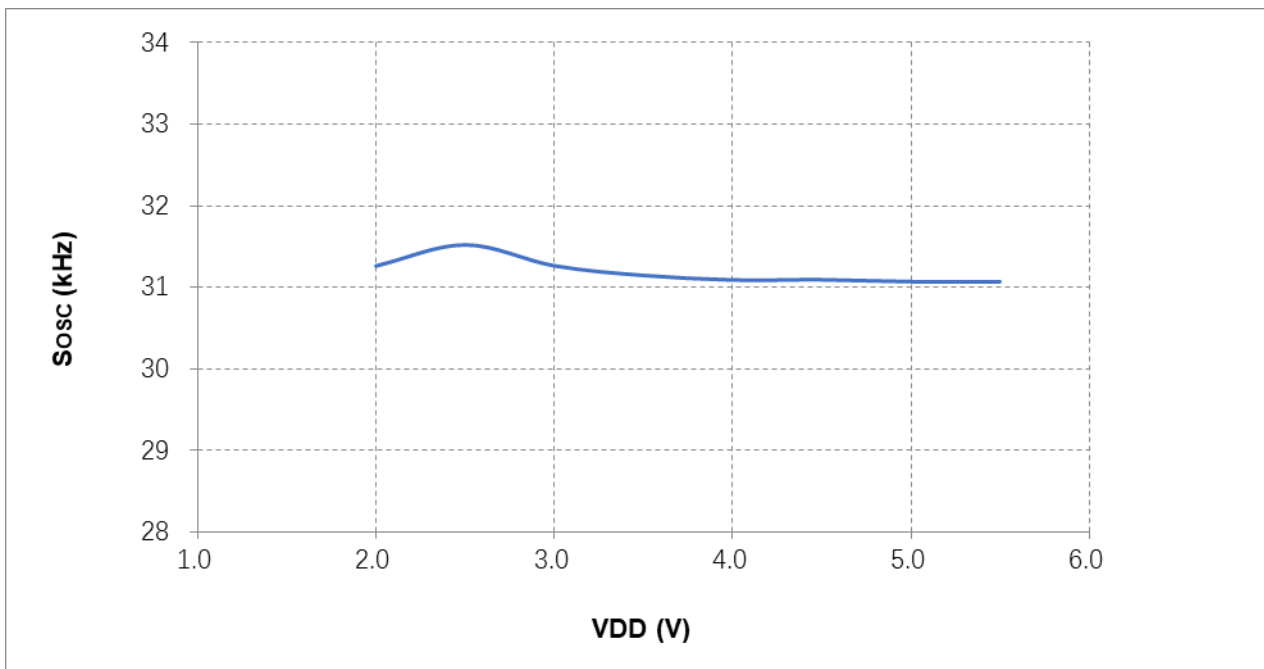


Figure 19-2 LIRC vs. V_{DD} ($T_A = 25^\circ\text{C}$)

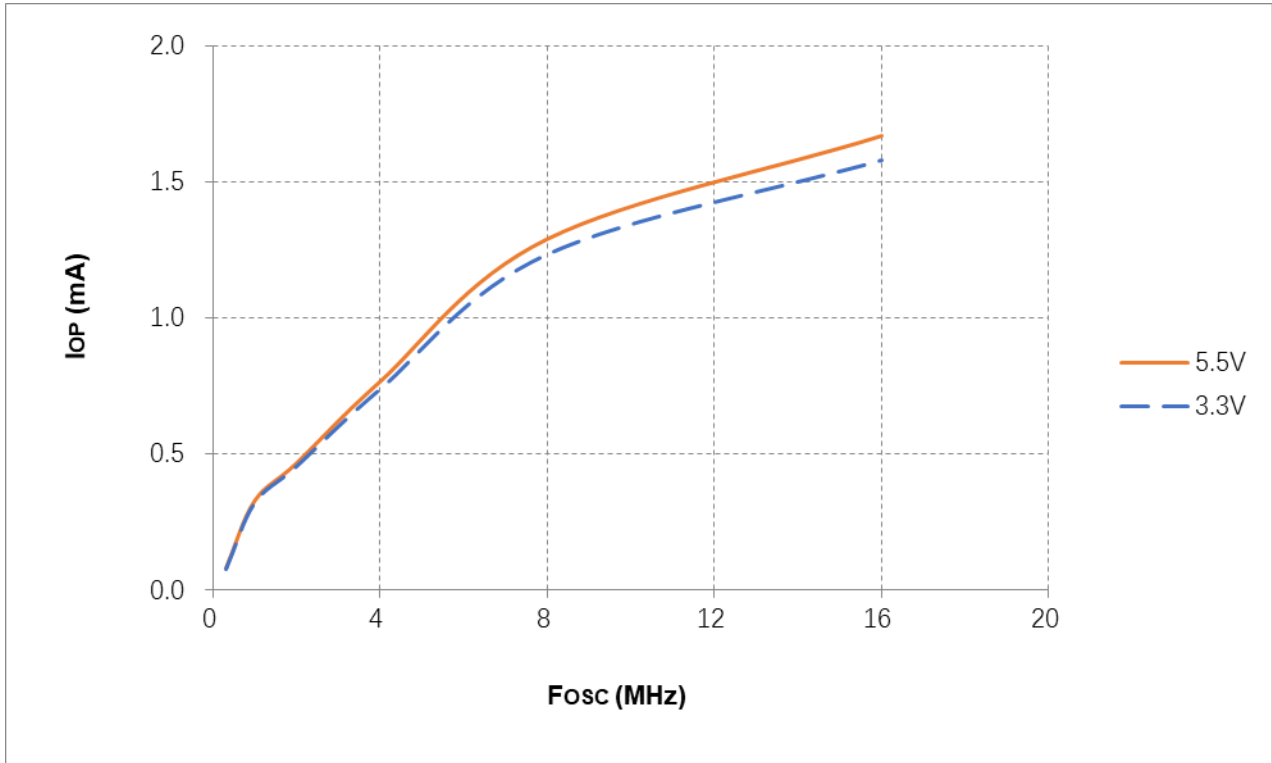


Figure 19-3 I_{DD} vs. Frequency (2T, $T_A = 25^\circ\text{C}$)

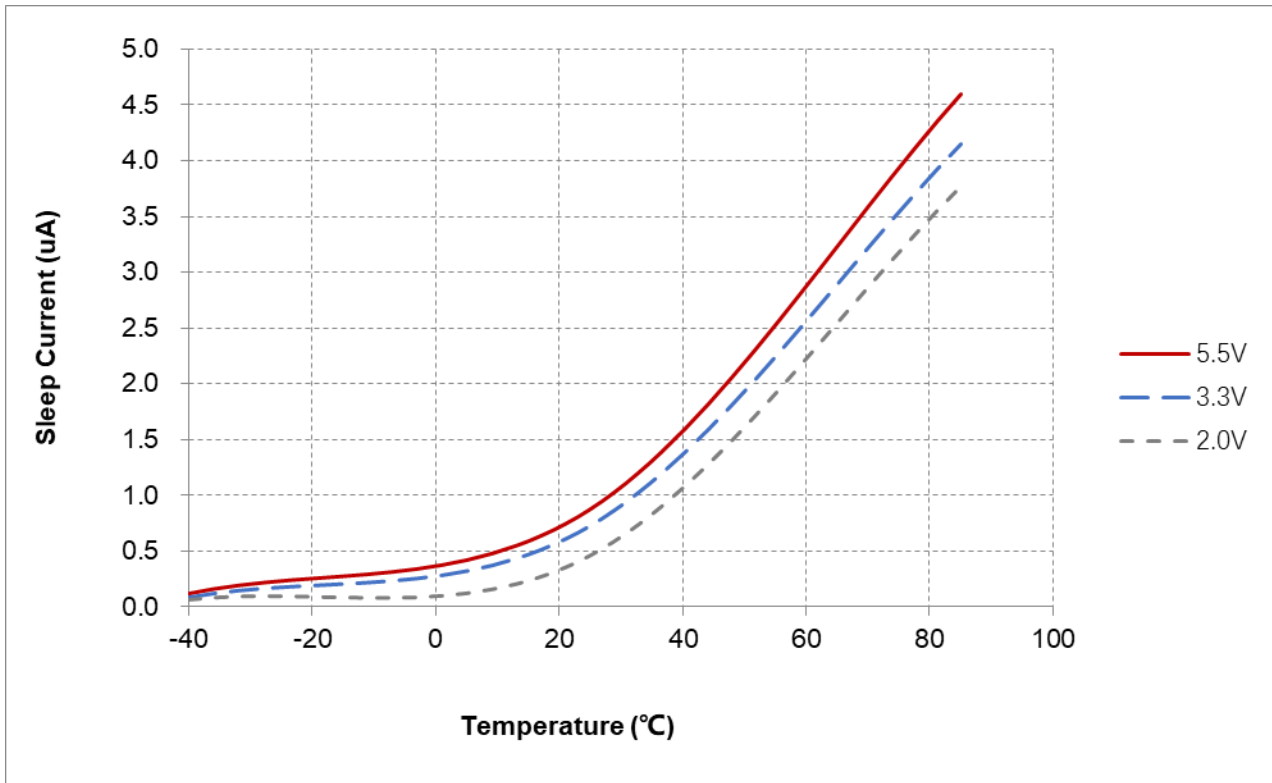


Figure 19-4 Sleep Current (I_{SB}) vs. Temperature

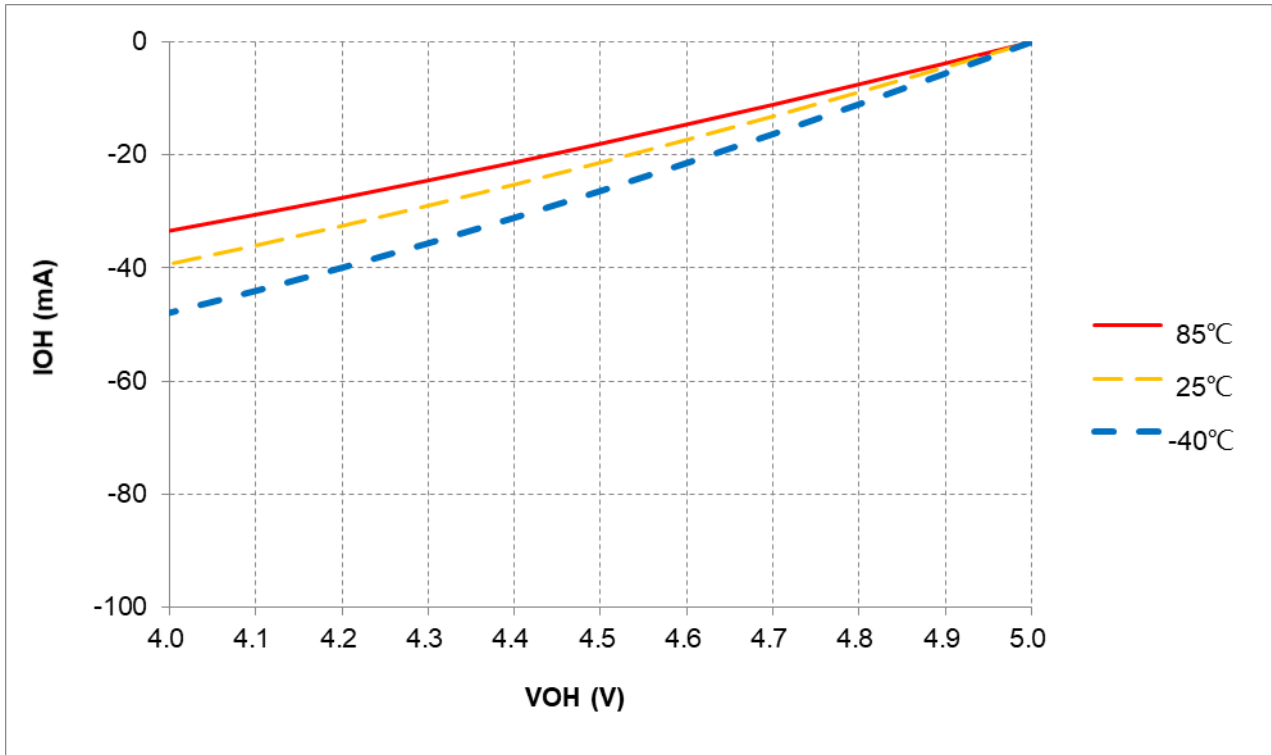


Figure 19-5 I_{OH} vs. V_{DD} , V_{OH} @ $L = -22mA$

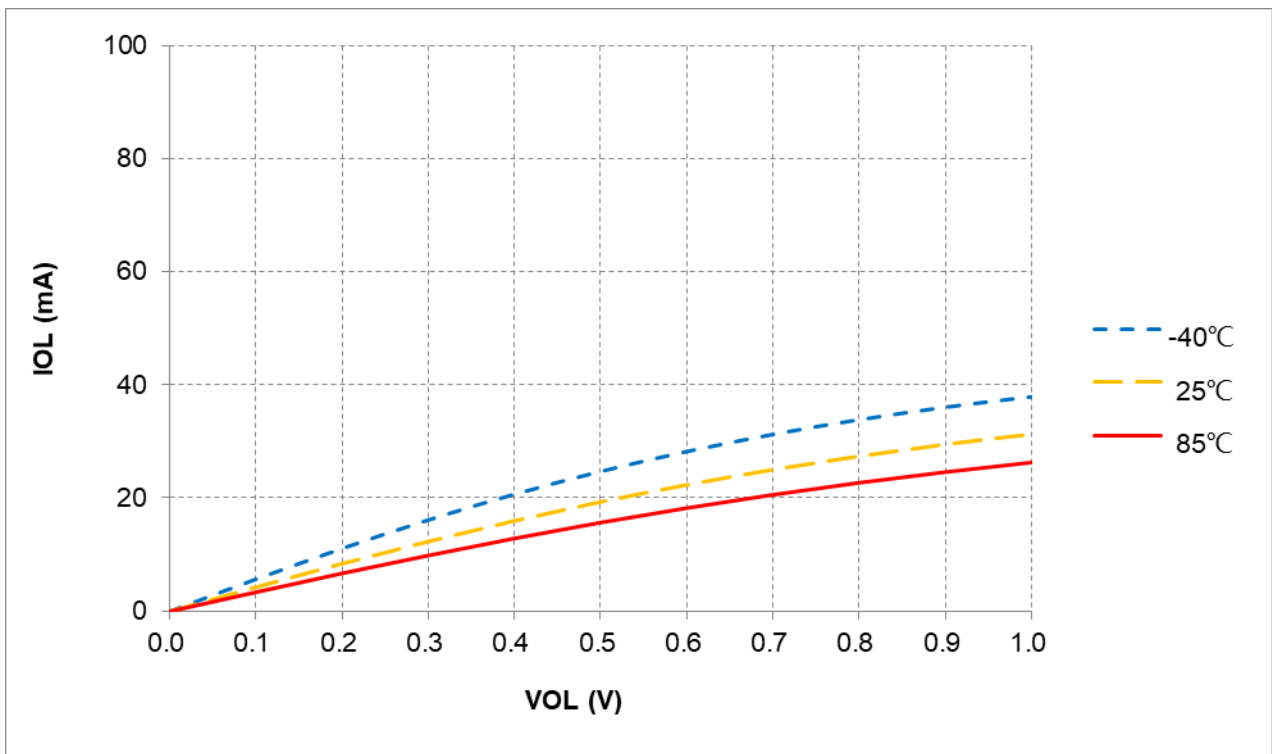
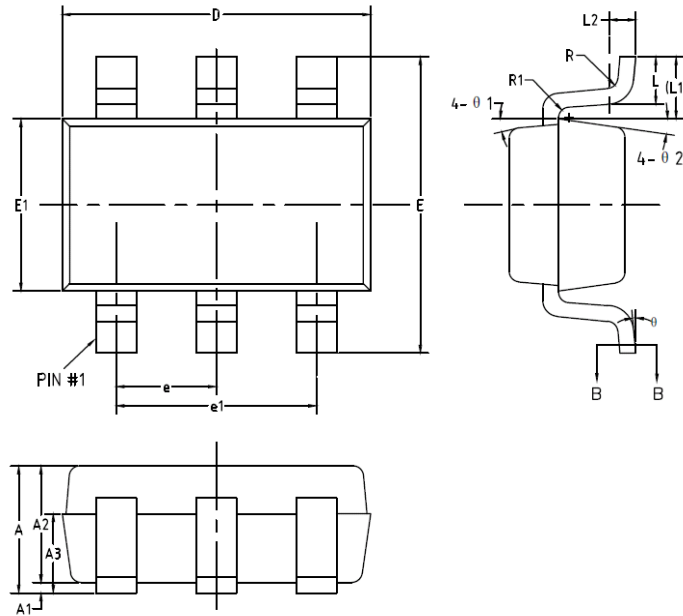


Figure 19-6 I_{OL} vs. V_{DD} , V_{OL} @ $L = 19mA$

20. PACKAGING INFORMATION

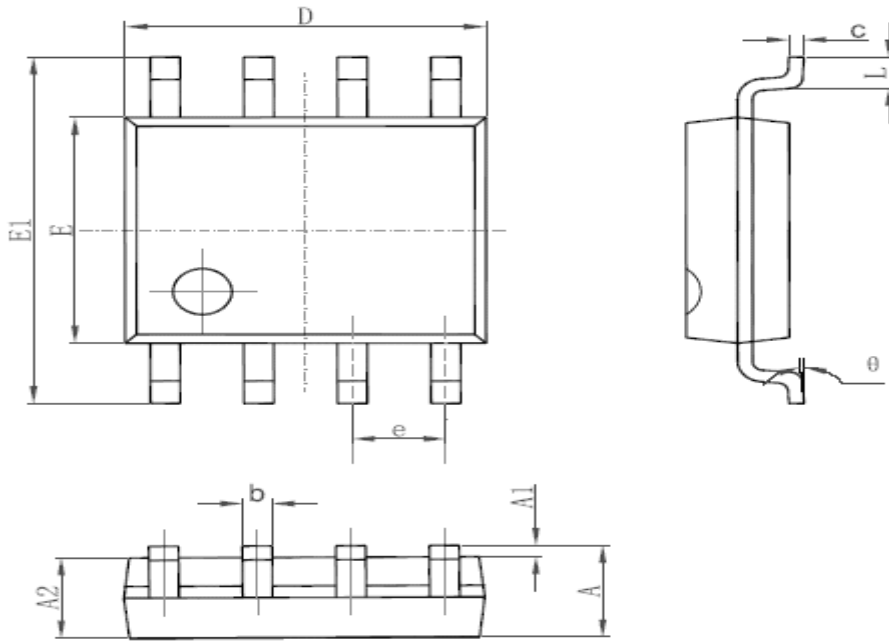
The device is available in SOT23-6, SOP8, MSOP10, SOP14 and SOP16 packages. The specific package size information is shown below:

SOT23-6



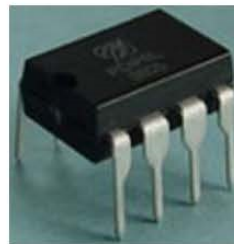
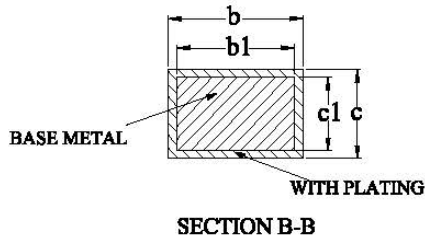
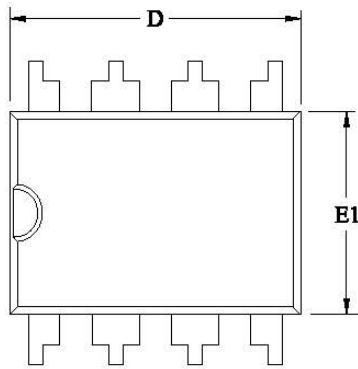
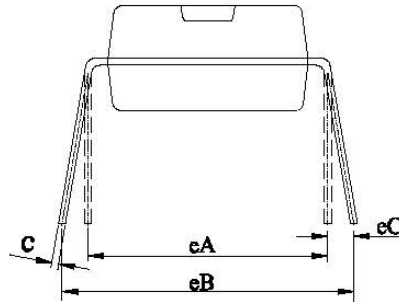
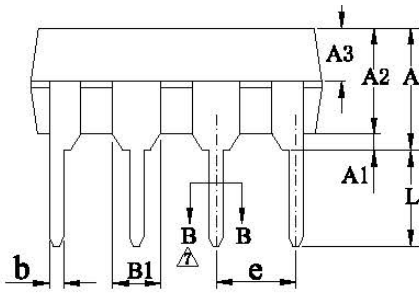
Symbol	Dimensions In Millimeters		Dimensions In Inches	
	Min	Max	Min	Max
A	-	1.45	-	0.057
A1	0	0.15	0	0.006
A2	0.90	1.30	0.035	0.051
A3	0.60	0.70	0.024	0.028
b	0.39	0.49	0.015	0.019
b1	0.35	0.45	0.014	0.018
c	0.08	0.22	0.003	0.009
c1	0.08	0.20	0.003	0.008
D	2.80	3.00	0.110	0.118
E	2.60	3.00	0.102	0.118
E1	1.50	1.70	0.059	0.067
e	0.85	1.05	0.033	0.041
e1	1.80	2.00	0.071	0.079
L	0.35	0.60	0.014	0.024
L1	0.60REF		0.024REF	
L2	0.25BSC		0.010BSC	
R	0.10	-	0.004	-
R1	0.10	0.25	0.004	0.010
theta	0°	8°	0°	8°
theta1	7°	11°	7°	11°
theta2	8°	12°	8°	12°

SOP8



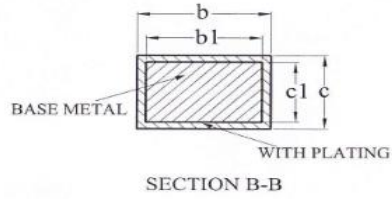
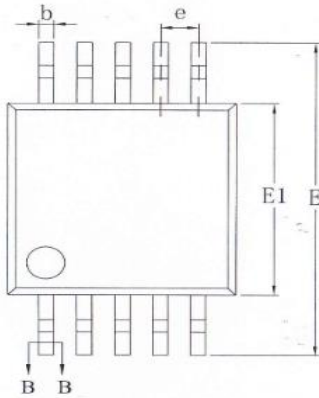
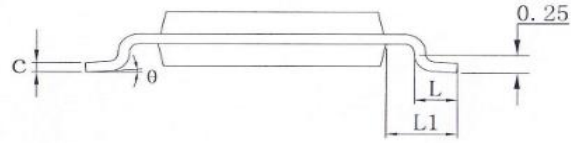
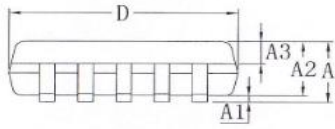
Symbol	Dimensions (mm)		Dimensions (inches)	
	Min	Max	Min	Max
A	1.350	1.750	0.053	0.069
A1	0.100	0.250	0.004	0.010
A2	1.350	1.550	0.053	0.061
b	0.330	0.510	0.013	0.020
c	0.170	0.250	0.006	0.010
D	4.700	5.100	0.185	0.200
E	3.800	4.000	0.150	0.157
E1	5.800	6.200	0.228	0.244
e	1.270 (BSC)		0.050 (BSC)	
L	0.400	1.270	0.016	0.050
θ	0°	8°	0°	8°

DIP8



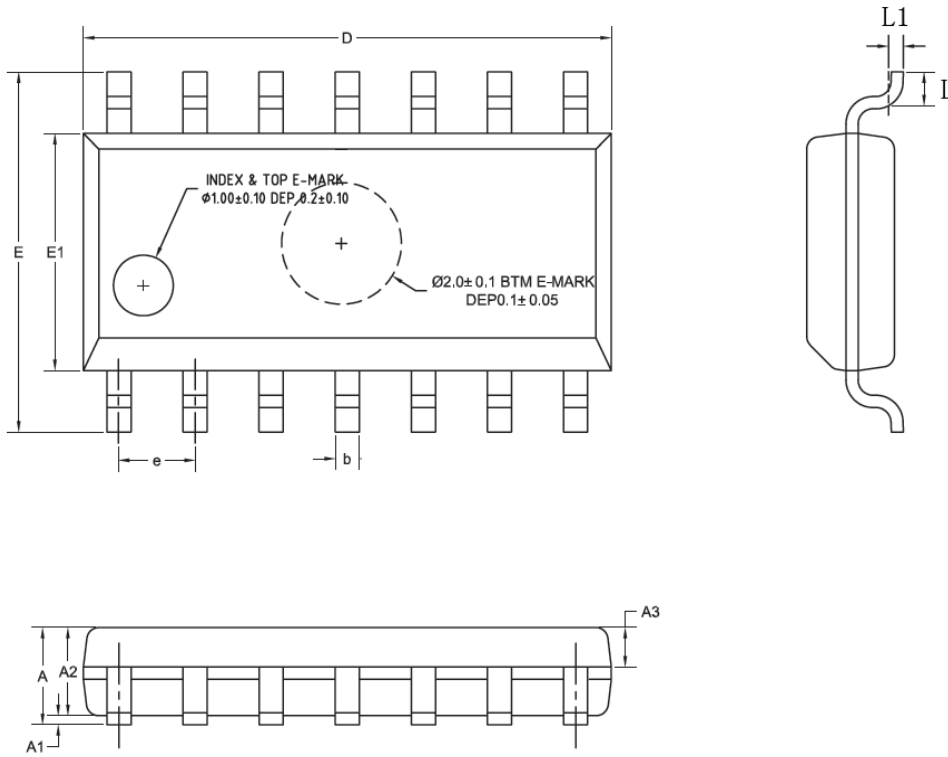
Symbol	Dimensions (mm)		Dimensions (inches)	
	Min	Max	Min	Max
A	3.600	4.000	0.142	0.157
A1	0.510	-	0.020	-
A2	3.200	3.400	0.126	0.134
A3	1.550	1.650	0.061	0.065
b	0.440	0.520	0.017	0.020
b1	0.430	0.490	0.017	0.019
B1	1.520 (REF)		0.060 (REF)	
c	0.250	0.290	0.010	0.011
c1	0.240	0.260	0.009	0.010
D	9.150	9.350	0.360	0.368
E1	6.250	6.450	0.246	0.254
e	2.540 (BSC)		0.100 (BSC)	
eA	7.620 (REF)		0.300 (REF)	
eB	7.620	9.300	0.300	0.366
eC	0	0.840	0	0.033
L	3.000	-	0.118	-

MSOP10



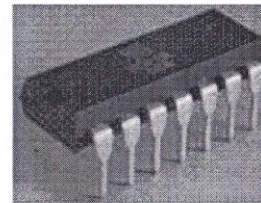
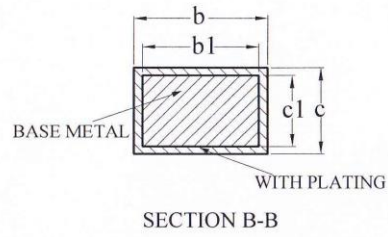
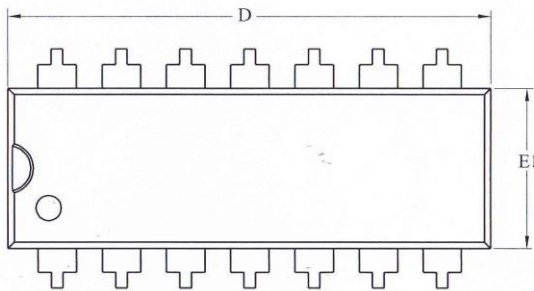
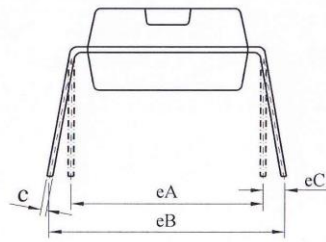
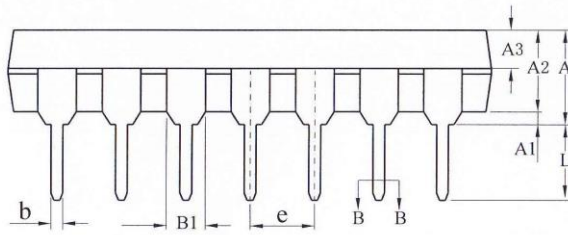
Symbol	Dimensions (mm)		Dimensions (inches)	
	Min	Max	Min	Max
A	-	1.100	-	0.043
A1	0.050	0.150	0.002	0.006
A2	0.750	0.950	0.030	0.037
A3	0.300	0.400	0.012	0.016
b	0.180	0.260	0.007	0.010
b1	0.170	0.230	0.007	0.009
c	0.150	0.190	0.006	0.007
c1	0.140	0.160	0.006	0.006
D	2.900	3.100	0.114	0.122
E	4.700	5.100	0.185	0.201
E1	2.900	3.100	0.114	0.122
e	0.500 (BSC)		0.020 (BSC)	
L	0.400	0.700	0.016	0.028
L1	0.950 (REF)		0.037 (REF)	
theta	0	8°	0	8°

SOP14



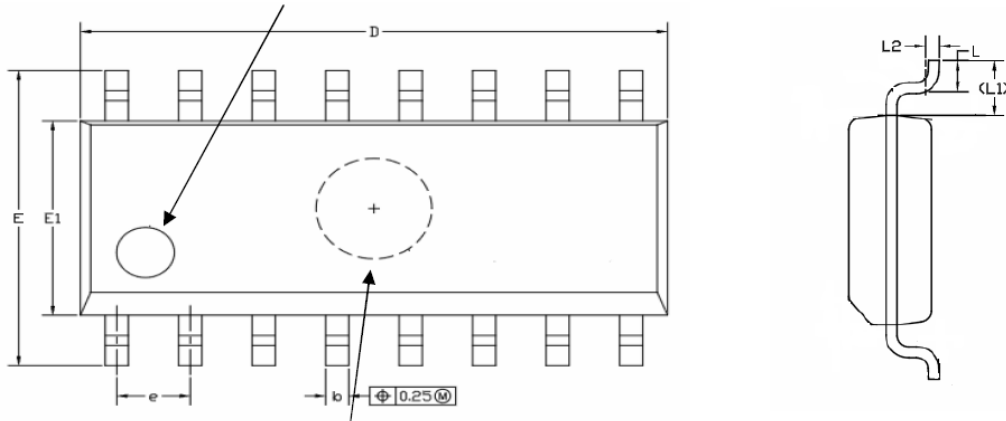
Symbol	Dimensions (mm)		Dimensions (inches)	
	Min	Max	Min	Max
A	-	1.700	-	0.066
A1	0.100	0.200	0.004	0.008
A2	1.400	1.500	0.055	0.059
A3	0.620	0.680	0.024	0.027
b	0.370	0.420	0.015	0.016
D	8.710	8.910	0.343	0.347
E	5.900	6.100	0.232	0.238
E1	3.800	3.950	0.150	0.156
e	1.270 (BSC)		0.050 (BSC)	
L	0.500	0.700	0.020	0.027
L1	0.250 (BSC)		0.010 (BSC)	

DIP14

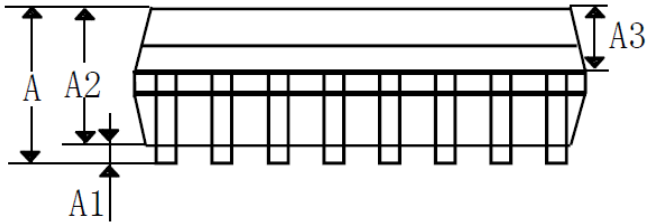


Symbol	Dimensions (mm)		Dimensions (inches)	
	Min	Max	Min	Max
A	3.600	4.000	0.142	0.157
A1	0.510	-	0.020	-
A2	3.200	3.400	0.126	0.134
A3	1.470	1.570	0.058	0.062
b	0.440	0.520	0.017	0.020
b1	0.430	0.490	0.017	0.019
B1	1.520 (REF)		0.060 (REF)	
c	0.250	0.290	0.010	0.011
c1	0.240	0.260	0.009	0.010
D	19.000	19.200	0.748	0.756
E1	6.250	6.450	0.246	0.254
e	2.540 (BSC)		0.100 (BSC)	
eA	7.620 (REF)		0.300 (REF)	
eB	7.620	9.300	0.300	0.365
eC	0	0.840	0	0.033
L	3.000	-	0.118	-

SOP16

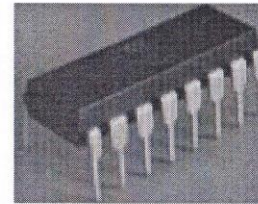
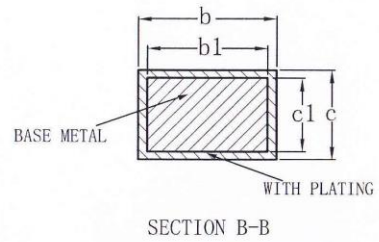
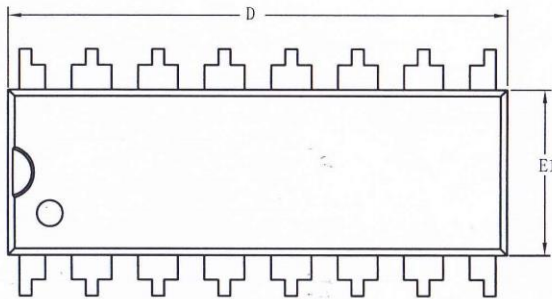
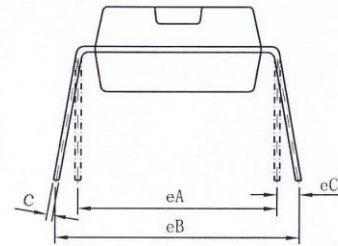
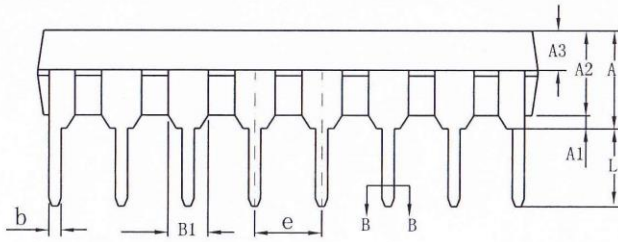


$\Phi 2.0 \pm 0.05$ DEP $0.1 + 0.03 / -0.05$



Symbol	Dimensions (mm)		Dimensions (inches)	
	Min	Max	Min	Max
A	-	1.700	-	0.066
A1	0.100	0.200	0.004	0.008
A2	1.420	1.480	0.056	0.058
A3	0.620	0.680	0.024	0.027
D	9.960	10.160	0.392	0.396
E	5.900	6.100	0.232	0.238
E1	3.870	3.930	0.152	0.153
b	0.370	0.430	0.015	0.017
e	1.240	1.300	0.048	0.051
L	0.500	0.700	0.020	0.027
L1	1.050 (REF)		0.041 (REF)	
L2	0.250 (BSC)		0.010 (BSC)	

DIP16



Symbol	Dimensions (mm)		Dimensions (inches)	
	Min	Max	Min	Max
A	3.600	4.000	0.142	0.157
A1	0.510	-	0.020	-
A2	3.200	3.400	0.126	0.134
A3	1.470	1.570	0.058	0.062
b	0.440	0.520	0.017	0.020
b1	0.430	0.490	0.017	0.019
B1	1.520 (REF)		0.060 (REF)	
c	0.250	0.290	0.010	0.011
c1	0.240	0.260	0.009	0.010
D	19.000	19.200	0.748	0.756
E1	6.250	6.450	0.246	0.254
e	2.540 (BSC)		0.100 (BSC)	
eA	7.620 (REF)		0.300 (REF)	
eB	7.620	9.300	0.300	0.365
eC	0	0.840	0	0.033
L	3.000	-	0.118	-

Contact Information**Fremont Micro Devices Corporation**

#5-8, 10/F, Changhong Building
Ke-Ji Nan 12 Road, Nanshan District,
Shenzhen, Guangdong, PRC 518057

Tel: (+86 755) 8611 7811

Fax: (+86 755) 8611 7810

Fremont Micro Devices (HK) Limited

#16, 16/F, Block B, Veristrong Industrial Centre,
34-36 Au Pui Wan Street, Fotan, Shatin, Hong Kong SAR

Tel: (+852) 2781 1186

Fax: (+852) 2781 1144

<http://www.fremontmicro.com>

* Information furnished is believed to be accurate and reliable. However, Fremont Micro Devices Corporation assumes no responsibility for the consequences of use of such information or for any infringement of patents of other rights of third parties, which may result from its use. No license is granted by implication or otherwise under any patent rights of Fremont Micro Devices Corporation. Specifications mentioned in this publication are subject to change without notice. This publication supersedes and replaces all information previously supplied. Fremont Micro Devices Corporation products are not authorized for use as critical components in life support devices or systems without express written approval of Fremont Micro Devices Corporation. The FMD logo is a registered trademark of Fremont Micro Devices Corporation. All other names are the property of their respective owners.